



Contact (866) 758-3900 for assistance.
Do not return to place of purchase.

Assembly Instructions

Model No. OFP-DPY

Hardware/Parts

Part	Description	Qty
1	Strap Set	6
2	Firebowl Support	3
3	Firebowl Support Base	1
4	Frame A	1
5	Frame B	1
6	Base Support A	1
7	Base Support B	1
A	Short Bolt	8
B	Long Bolt	20
C	Nut	26
D	Washer	54

Hardware/Parts

Adjustable wrench or pliers and a Phillips Screwdriver.

Steps

Step 1

Attach Frame A to Frame B using long bolts, washers and nuts.

Step 2

Attach Firebowl Support and Firebowl Support Base to Frame A and B using long bolts, washers and nuts.

Step 3

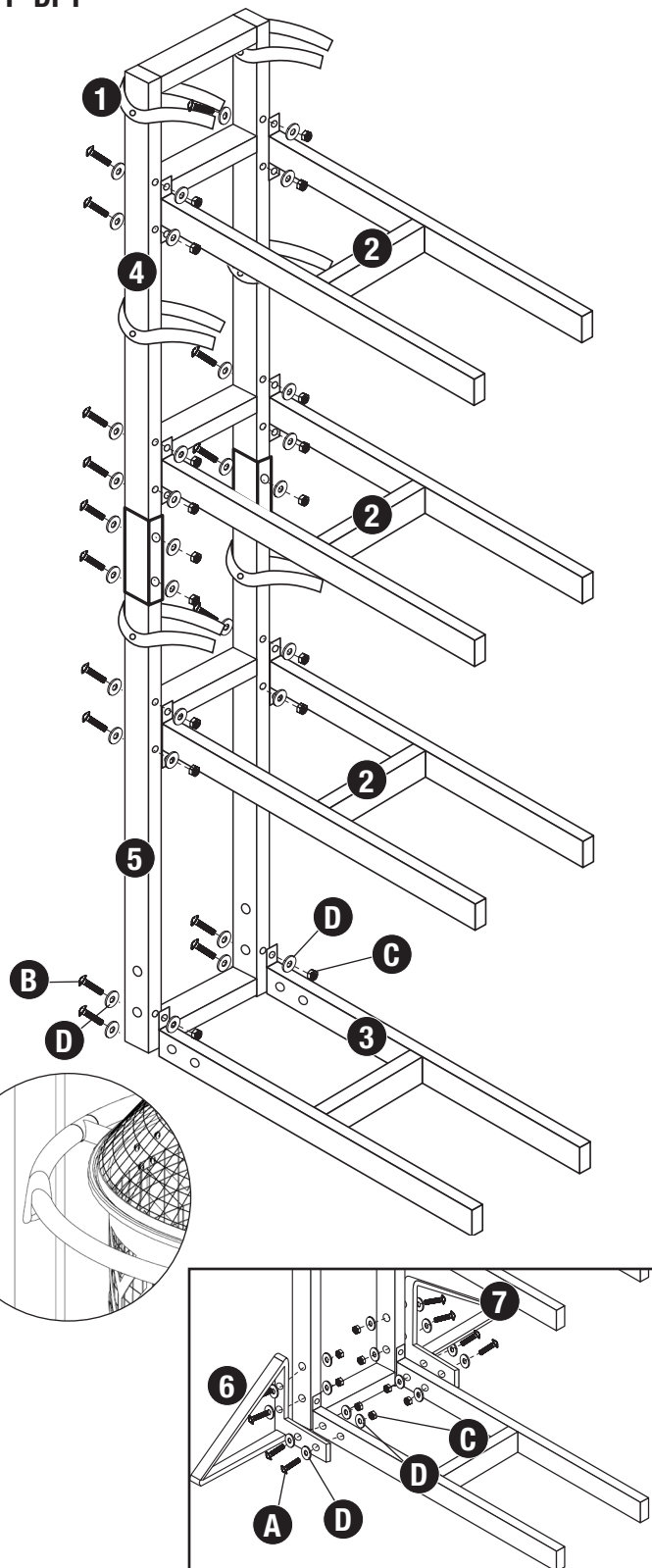
Attach Base Support A & B to Frame B and Firebowl Support Base using short bolts, washer and nuts.

Step 4

CAUTION: Do not place firebowls onto firebowl supports until all bolts and nuts are fully tightened.

Place firebowls onto firebowl supports, and secure with straps.

CAUTION: Straps must always be attached to firebowls on firebowl display.



CAUTION: Keep this product clean by using a damp cloth. DO NOT use abrasive cleaners, as it will cause parts to tarnish.