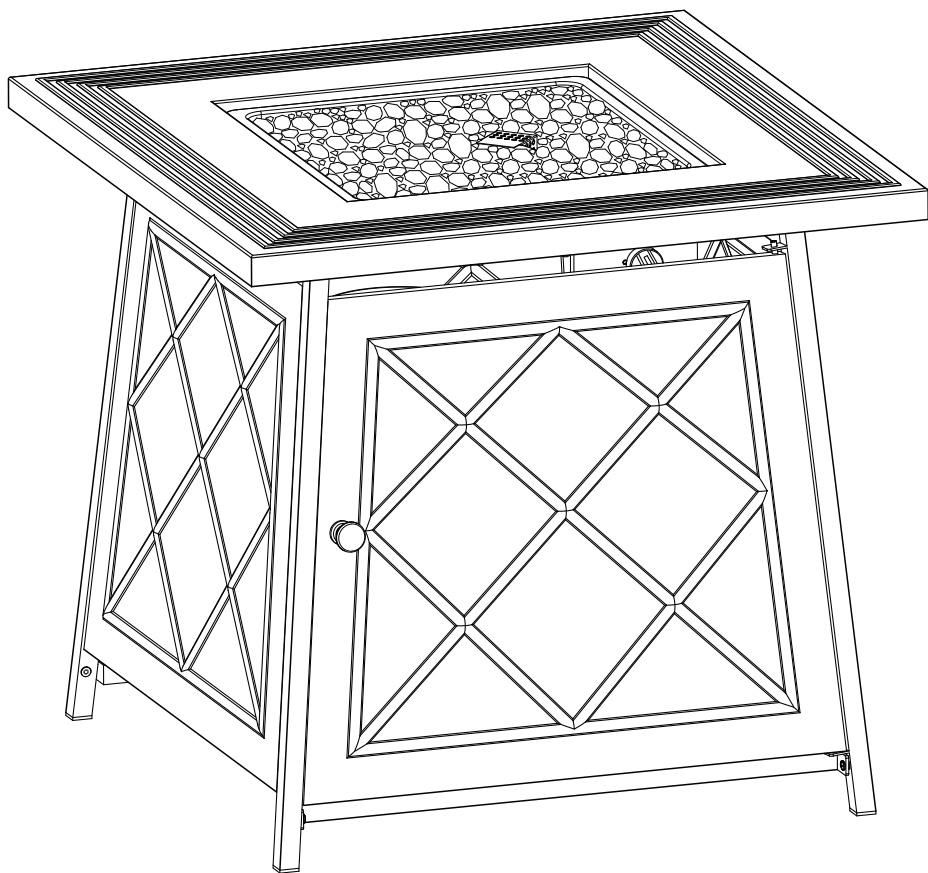


“Marcroft” LP Gas Outdoor Fire Pit Model No. GAD1447M



WARNING
FOR OUTDOOR USE ONLY.

▲ Installation and service must be performed by a qualified installer, service agency or gas supplier.

WARNING
FOR YOUR SAFETY:

▲ If the information in this manual is not followed exactly, a fire or explosion may result causing property damage, personal injury or loss of life.

▲ **WHAT TO DO IF YOU SMELL GAS:**

- Do NOT try lighting any appliance.
- Do NOT touch any electrical switch; do NOT use any phone in your building.
- Immediately call your gas supplier from a neighbor's phone.
- Follow the gas supplier's instructions.
- If you cannot reach your gas supplier, call the fire department.

▲ Do Not Use For Cooking.

WARNING
FOR YOUR SAFETY:

▲ **INSTALLER:** Leave this manual with the appliance.

▲ **CONSUMER:** Retain this manual for future reference.

WARNING
FOR YOUR SAFETY:

▲ Improper installation, adjustment, alteration, service or maintenance can cause injury or property damage.

▲ Read the installation, operation and maintenance instructions thoroughly before installing or servicing this equipment.

DANGER
FIRE OR EXPLOSION HAZARD

If you smell gas:

- Shut off gas to appliance.
- Extinguish any open flame.
- If odor continues, leave the area immediately.
- After leaving the area, call your gas supplier or fire department.

Failure to follow these instructions could result in fire or explosion, which could cause property damage, personal injury, or death.

WARNING
FOR YOUR SAFETY:

1. Do not store or use gasoline, or other flammable vapors and liquids, in the vicinity of this or any other appliance.
2. An LP-cylinder not connected for use shall not be stored in the vicinity of this or any other appliance.

DANGER

Do NOT leave this appliance unattended while it is in operation.

DANGER

CARBON MONOXIDE HAZARD

- This appliance can produce carbon monoxide which has no odor.
- Using it in an enclosed space can kill you.
- Never use this appliance in an enclosed space such as a camper, tent, car or home.

Table of Contents

Important Safeguards	Page 2
Expanded View and Hardware	5
Assembly Instructions	6
Installing LP Gas Tank	8
Operating Instructions	9
Cleaning and Care	9
Product Registration	10
Replacement Parts	10
Limited Warranty	10
Troubleshooting	11

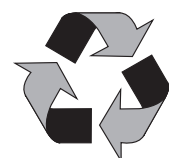
The use and installation of this product must conform to local codes. In absence of local codes, use the latest edition of the *National Fuel Gas Code, ANSI Z223.1/NFPA 54*, or *International Fuel Gas Code*. This appliance, when installed, must be electrically grounded in accordance with local codes, or in the absence of local codes with the *National Electrical Code, ANSI/NFPA 70*, if applicable.

For installation in Canada - these instructions, while generally acceptable, do not necessarily comply with the Canadian installation codes, particularly with piping above and below ground. In Canada the installation of this appliance must comply with local codes and/or standard CAN/CGA B149.1 (installation code for propane burning appliances and equipment).

THIS INSTRUCTION BOOKLET CONTAINS IMPORTANT SAFETY INFORMATION. PLEASE READ AND KEEP FOR FUTURE REFERENCE.

If you are assembling this unit for someone else, give this manual to them to read and save for future reference.

▲ **WARNING:** This product can expose you to chemicals, including carbon monoxide, soot, lead and lead components which are known to the State of California to cause cancer, birth defects, and other reproductive harm. **Wash your hands after handling this product.** For more information go to www.P65Warnings.ca.gov.



Made from 75% Bagasse
(environmentally friendly sugar
cane pulp by-product)

Important Safeguards

⚠ DANGER • FLAMMABLE GAS UNDER PRESSURE.
LEAKING LP-GAS MAY CAUSE A FIRE OR EXPLOSION IF IGNITED CAUSING
SERIOUS BODILY INJURY OR DEATH.
CONTACT LP GAS SUPPLIER FOR REPAIRS, OR DISPOSAL OF THIS
CYLINDER OR UNUSED LP-GAS.

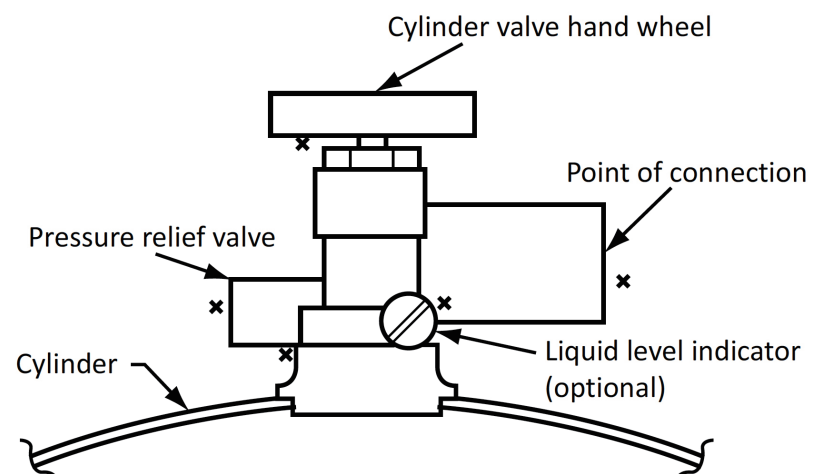
⚠ WARNING • FOR OUTDOOR USE ONLY.*
DO NOT USE OR STORE CYLINDER IN A BUILDING,
GARAGE OR ENCLOSED AREA.

⚠ WARNING:

- Know the odor of LP-gas. If you hear, see or smell leaking LP-gas, immediately get everyone away from the cylinder and call the Fire Department. Do not attempt repairs.
- Caution your LP-gas supplier to:
 - Be certain cylinder is purged of trapped air prior to first filling.
 - Be certain not to over fill the cylinder.
 - Be certain cylinder requalification date is checked.
- LP-gas is heavier than air and may settle in low places while dissipating.
- Contact with the liquid contents of cylinder will cause freeze burns to the skin.
- Do not allow children to tamper or play with cylinder.
- When not connected for use, keep cylinder valve turned off. Self contained appliances shall be limited to a cylinder of 30 lb capacity or less.
- Do not use, store or transport cylinder where it would be exposed to high temperatures. Relief valve may open allowing a large amount of flammable gas to escape.
- When transporting, keep cylinder secured in an upright position with cylinder valve turned off.

WHEN CONNECTING FOR USE:

- Use only in compliance with applicable codes.
- Read and follow manufacturer's instructions.
- Consult manufacturer's instructions concerning the cylinder connection provided with your appliance.
- Be sure regulator vent is not pointing up.
- Turn off all valves on the appliance.
- Do not check for gas leaks with a match or open flame. Apply soapy water at areas marked "X". Open cylinder valve. If bubble appears, close valve and have LP-gas service person make needed repairs. Also, check appliance valves and connections to make sure they do not leak before lighting appliance.
- Light appliance(s) following manufacturer's instructions.
- When appliance is not in use, keep the cylinder valve closed.



DO NOT REMOVE, DEFACE, OR OBLITERATE THIS LABEL
***EXCEPT AS AUTHORIZED BY ANSI/NFPA 58.**

⚠ DANGER. Do not store a spare LP cylinder under or near a barbecue grill, or other heat sources.
NEVER fill an LP cylinder beyond 80% full: a fire causing death or serious injury may occur.

⚠ DANGER: Failure to follow the dangers, warnings and cautions in this manual may result in serious bodily injury or death, or in a fire or an explosion causing damage to property.

⚠ WARNINGS:

- ⚠ Do NOT use this outdoor fire pit without reading the entire owner's manual.**
- ⚠ This appliance is for outdoor use only, and should NOT be used in a building, garage or any other enclosed area.**
- ⚠ Do NOT operate, light or use this appliance within ten feet (3.05 m) of walls, structures or buildings.**
- ⚠ For residential use only. This outdoor fire pit is NOT for commercial use.**
- ⚠ Do NOT use this outdoor fire pit for indoor heating. TOXIC carbon monoxide fumes can accumulate and cause asphyxiation.**
- ⚠ This outdoor fire pit is safety certified for use in the United States and/or Canada only. Do NOT modify for use in any other location. Modification will result in a safety hazard and will void your warranty.**
- ⚠ Apartment dwellers: Check with management to learn the requirements and fire codes for using a liquid propane (LP) gas outdoor fire pit in your apartment complex. If allowed, use outside on the ground floor with a ten foot (3.05 m) clearance from any structure. Do NOT use on or under balconies.**
- ⚠ This outdoor fire pit, from the factory, is for use with LP gas only. The conversion to or attempted use of natural gas in this outdoor fire pit is dangerous, may cause bodily harm and will void your warranty.**
- ⚠ LP gas characteristics:**
 - a. LP gas is flammable and hazardous if handled improperly. Become aware of the characteristics before using any LP gas product.
 - b. LP gas is explosive under pressure, heavier than air, and settles/pools in low areas.
 - c. LP gas in its natural state has no odor. For your safety, an odorant is added that smells like rotten cabbage.
 - d. Contact with LP gas can cause freeze burns to skin.
- ⚠ LP gas tank needed to operate. Only tanks marked "propane" may be used.**
 - a. The LP gas cylinder must be constructed and marked in accordance with the *U.S. Department of Transportation (D.O.T.) Specifications for LP-Gas Cylinders*, or the *Standard for Cylinders, Spheres and Tubes for the Transportation of Dangerous Goods and Commission, CAN/CSA-B339* as applicable.
 - b. LP gas tank must be arranged for vapor withdrawal.
 - c. The LP gas tank must have a listed overfilling prevention device (OPD) and a QCCI or Type I (CGA810) LP gas tank connection.
 - d. The LP gas tank must have a tank collar to protect the tank valve.
 - e. Never use an LP gas tank with a damaged body, valve, collar or footing.
 - f. Dented or rusted LP gas tanks may be hazardous and should be checked by your LP gas supplier prior to use.
 - g. The LP gas tank should not be dropped or handled roughly.
 - h. Tanks must be stored outdoors, out of the reach of children and must not be stored in a building, garage or any other enclosed area. Your LP gas tank must never be stored where temperatures can reach over 125°F.
 - i. Do NOT insert any tool or foreign object into the valve outlet or safety relief valve. You may damage the valve and cause a leak. Leaking propane may result in explosion, fire, severe personal injury or death.
 - j. Never keep an LP gas tank in a hot car or trunk. Heat will cause the gas pressure to increase, which may open the relief valve and allow gas to escape.
 - k. Place dust cap on cylinder valve outlet whenever the cylinder is not in use. Only install the type of dust cap on the cylinder valve outlet that is provided with the cylinder valve. Other types of caps or plugs may result in leakage of propane.
 - l. Do NOT store a spare LP gas tank under or near this appliance.
 - m. Never fill the cylinder beyond 80 percent full.
 - n. A fire causing serious injury or damage to property may occur if the above is not followed exactly.
- ⚠ Your outdoor fire pit has been checked at all factory connections for leaks. Recheck all connections as described in the "Operating Instructions" section, as shipping can loosen connections.**
- ⚠ Check for leaks even if your unit was assembled for you by someone else.**
- ⚠ Do NOT operate if a gas leak is present. Gas leaks may cause a fire or explosion.**
- ⚠ You must follow all instructions in the "Checking for Leaks" section before operating. To prevent a fire or explosion when testing for a leak:**
 - a. Always perform a leak test before lighting this outdoor fire pit and each time the tank is connected for use.
 - b. No smoking. Do NOT use or permit sources of ignition in the area while conducting a leak test.
 - c. Conduct the leak test outdoors in a well-ventilated area.
 - d. Do NOT use matches, lighters or a flame to check for leaks.
 - e. The use of alcohol, prescription or non-prescription drugs may impair the consumer's ability to properly assemble or safely operate the appliance.
 - f. Strong odors, colds, sinus congestion, etc. may prevent the detection of propane. Use caution and common sense when testing for leaks.
 - g. Do NOT use this outdoor fire pit until any and all leaks are corrected. If you are unable to stop a leak, disconnect the LP gas supply. Call a gas appliance serviceman or your local LP gas supplier.
- ⚠ Do NOT store or use gasoline or other flammable liquids or vapors within 25 feet (7.62 m) of this appliance.**
- ⚠ Do NOT use in an explosive atmosphere. Keep outdoor fire pit area clear and free from combustible materials, gasoline and other flammable vapors and liquids.**
- ⚠ This outdoor fire pit is NOT to be operated by children.**
- ⚠ This outdoor fire pit is NOT to be used in or on boats or recreational vehicles.**
- ⚠ Do NOT connect to a remote gas supply.**
- ⚠ Never attempt to attach this outdoor fire pit to the self-contained LP gas system of a camper trailer, motor home or house.**
- ⚠ Always use in accordance with all applicable local, state and national codes. Contact your local fire department for details on outdoor burning.**
- ⚠ When using this outdoor fire pit, exercise the same precautions you would with any open fire.**
- ⚠ Do NOT burn solid fuels such as: wood, charcoal briquettes, lump charcoal, manufactured logs, driftwood, trash, leaves, paper, cardboard, plywood, painted/stained/pressure treated wood in this outdoor fire pit.**
- ⚠ It is essential to keep the outdoor fire pit's valve compartment, burners, and circulating air passages clean. Inspect outdoor fire pit before each use.**
- ⚠ Do NOT use this outdoor fire pit until it is COMPLETELY assembled and all parts are securely fastened and tightened.**
- ⚠ Do NOT use this outdoor fire pit near automobiles, trucks, vans or recreational vehicles.**
- ⚠ Do NOT use this outdoor fire pit under any overhang or near any unprotected combustible constructions. Avoid using near or under overhanging trees and shrubs.**
- ⚠ Always use this outdoor fire pit on a hard, level, non-combustible surface such as concrete, rock or stone. An asphalt or blacktop surface may not be acceptable for this purpose.**
- ⚠ Do NOT use this outdoor fire pit for cooking.**

Important Safeguards

- ▲ Do NOT use this appliance if any part has been under water. Immediately call a qualified service technician to inspect the appliance and to replace any part or control system and any gas control which has been under water.
- ▲ Do NOT wear flammable or loose clothing when operating this outdoor fire pit.
- ▲ Do NOT use in windy conditions.
- ▲ Never lean over this outdoor fire pit when lighting or when in use.
- ▲ Do NOT use this outdoor fire pit unless burner is securely in place.
- ▲ Keep all electrical cords away from this outdoor fire pit during use.
- ▲ Certain areas of this outdoor fire pit when in use will become too hot to touch. To avoid burns, do NOT touch hot surfaces until the unit has completely cooled (about 45 minutes), unless you are wearing protective gear (such as insulated pot holders or heat-resistant gloves/mittens).
- ▲ Do NOT leave a lit outdoor fire pit unattended, especially around children and pets.
- ▲ Children and adults should be alerted to the hazards of high surface temperatures and should stay away to avoid burns or clothing ignition.
- ▲ Young children should be carefully supervised when they are in the area of the appliance.
- ▲ Do NOT hang or place clothing or other flammable material on or near this appliance.
- ▲ Any guard or other protective device removed for servicing the appliance must be replaced prior to operating the appliance.
- ▲ If applicable, protective cover must be removed when burner is in operation.
- ▲ Do NOT attempt to move outdoor fire pit when in use. Allow the outdoor fire pit to cool before moving or storing.
- ▲ This outdoor fire pit should be thoroughly cleaned and inspected on a regular basis. Clean and inspect the hose before each use of the appliance. If there is evidence of abrasion, wear, cuts, or leaks, the hose must be replaced prior to the appliance being operated.
- ▲ This outdoor fire pit should be inspected at least annually by a qualified service person. Depending on amount of use, more frequent cleaning may be required. Do NOT operate until all parts have been repaired or replaced.
- ▲ Use only the regulator and hose assembly provided. Use only the replacement regulator and hose assembly specified by Mr. Bar-B-Q Products LLC.
- ▲ Use only Mr. Bar-B-Q Products LLC factory-authorized parts. The use of any part that is not factory-authorized can be dangerous and will void your warranty.
- ▲ Use only Mr. Bar-B-Q Products LLC factory-authorized lava rock/fire glass. The use of any lava rock/fire glass that is not factory-authorized can be dangerous and will void your warranty.
- ▲ Do NOT operate this appliance without reading "Operating Instructions" in this manual.
- ▲ Storage of this outdoor fire pit indoors is permissible only if the tank is disconnected, removed from the outdoor fire pit and properly stored outdoors.
- ▲ Do NOT attempt to disconnect the gas regulator from the tank or any gas fitting while the outdoor fire pit is in use.
- ▲ If the outdoor fire pit is not in use, the gas must be turned off at the supply tank.
- ▲ CAUTION: The gas pressure regulator provided with this appliance must be used. This regulator is set for an outlet pressure of 11 inches water column.
- ▲ The minimum inlet gas pressure for this outdoor fire pit is 11 inches of water column, for the purpose of input adjustment.
- ▲ The maximum inlet gas pressure for this outdoor fire pit is 11 inches of water column.
- ▲ Before pressure testing, close LP gas tank valve and disconnect gas regulator. The gas supply piping system must test at pressures equal to or less than ½ psi (3.5 kPa).
- ▲ Do NOT sit or stand on the mantle or any part of this appliance.
- ▲ Do NOT throw anything onto the fire when the unit is in operation.
- ▲ Lava rock/fire glass are very hot. Keep children or pets at a safe distance from this appliance.
- ▲ When heated, lava rock/fire glass may pop.
- ▲ The opening of the tank collar should face toward the door side for easy access.
- ▲ Do NOT store any combustible materials in the base enclosure.
- ▲ Use protective gloves when assembling this product.
- ▲ Do NOT force parts together as this can result in personal injury or damage to the product.
- ▲ Death, serious injury or damage to property may occur if the above is not followed exactly.

Parts List

1	Lava Rocks	55-05-833
2	Bowl Assembly*	58-24-249
3	Igniter Cover*	58-24-048
4	Burner*	58-24-049
5	Control Knob*	58-23-753
6	Regulator/Hose Assembly*	58-23-922
7	Mantel	58-24-451
8	Side Panel (3)	58-24-452
9	Leg A	58-24-453
10	Leg B	58-24-454
11	Leg C	58-24-455
12	Leg D	58-24-456
13	Magnet *	58-23-820
14	Base	58-24-448
15	Barrier bar	58-24-449
16	LP Gas Tank Retainer Bolt*	58-23-149
17	Door	58-24-457
18	Door Knob	58-24-255
19	Table Insert	58-24-498

* Pre-assembled

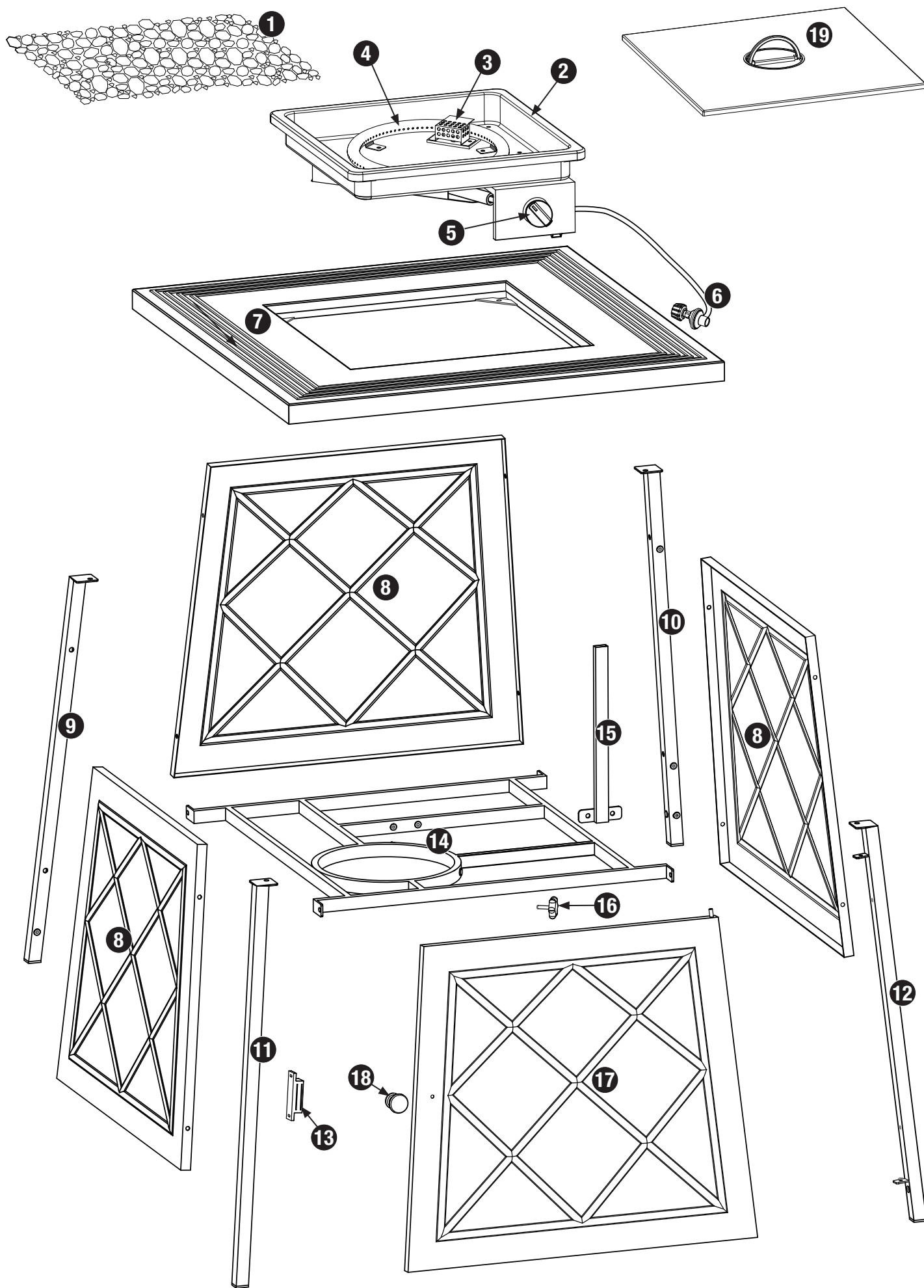
CAUTION: Use only Mr. Bar-B-Q Products LLC factory-authorized lava rock. The use of any lava rock that is not factory-authorized can be dangerous and will void your warranty.

WARNING

When heated, lava rocks may react by breaking and throwing fragments of rock. Be sure to season the lava rocks at a high temperature before use in order to avoid potential personal injury or damage.

IMPORTANT BEFORE USE
HOW TO SEASON LAVA ROCK ON
PAGE 7.

Expanded View

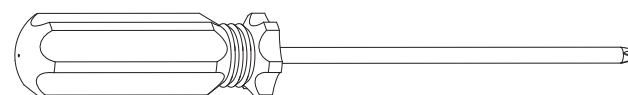


Hardware Pack 58-24-543

A	Screw	M5x25 Black Nickel Plated Truss Head	12 pcs
B	Screw	M6x12 Black Nickel Plated Truss Head	4 pcs
C	Screw	M6X12 Black Nickel Plated Step Head	1 pc
D	Screw	M4X10 Black Nickel Plated Truss Head	1 pc
E	Screw	M5x12 Black Nickel Plated Truss Head	6 pcs

Tools Required for Assembly (Not Included)

#2 Phillips Head Screwdriver 1 pc



Assembly Instructions

1

DO NOT RETURN TO PLACE OF PURCHASE.

For assistance, call 1.888.398.8643 toll-free. Please have your owner's manual and model number available for reference.

Note: The model number is printed on a label which can be found on the inside door, back or side of the base assembly.

Assembly Tips:

1. Select an area where you will assemble this product. To protect components, choose a smooth surface that's free of cracks or openings.
2. Spread out all parts.
3. Tighten all hardware connections by hand first. Then, before completing each step, go back and fully tighten all hardware. Be careful not to over-tighten. That could damage surfaces or strip threads.
4. For best results, complete each step in the order presented.

To complete assembly you will need:

- (1) Leak detection solution (instructions on how to make the solution are included in the "Operating Instructions" section of this manual).
- (1) Precision-filled LP gas grill tank with Acme Type 1 external threaded valve connection (standard grill size) (not included).

Typical assembly is approximately one hour.

CAUTION: Two (2) people will be required for assembly.

WARNING: Failure to position the parts in accordance with these diagrams or failure to use only parts specifically approved with this appliance may result in property damage or personal injury.

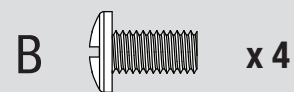
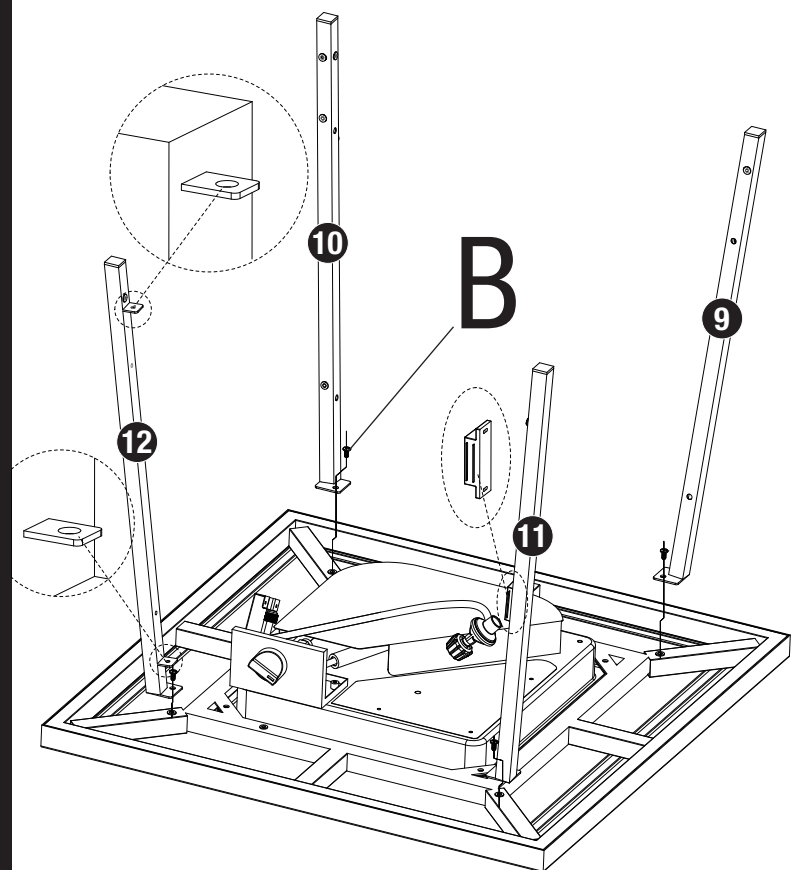
2

Attach Legs

CAUTION: Two (2) people will be required to turn the outdoor fire pit over.

CAUTION: To avoid scratches choose a smooth surface that's free of cracks or openings.

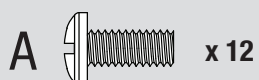
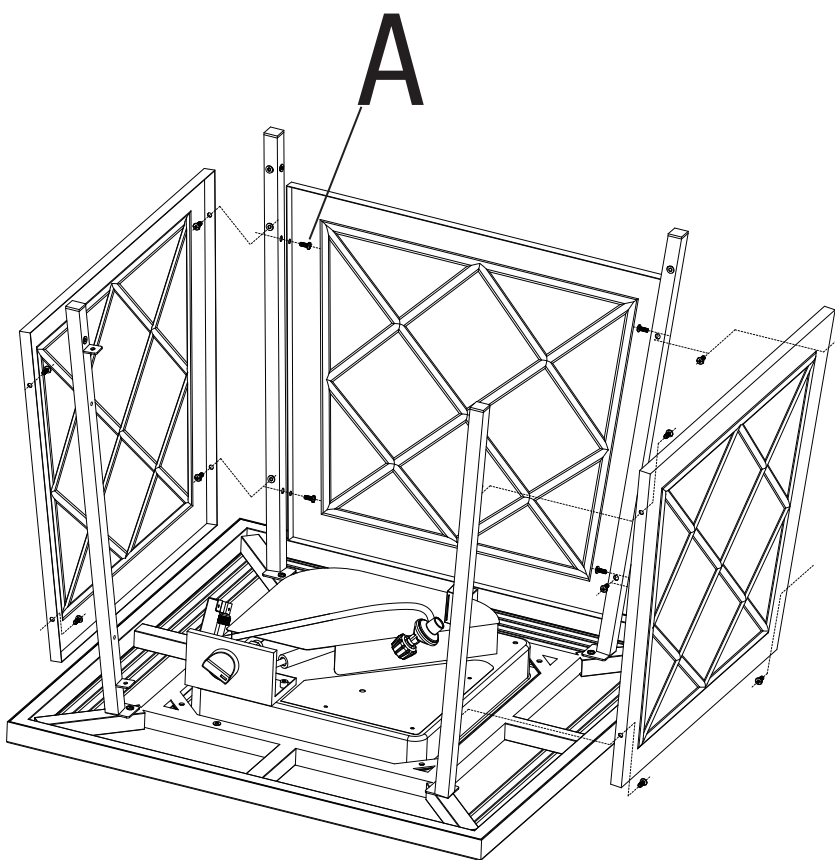
Note: Do not fully tighten screws until step 4.



3

Attach Side and Rear Panels

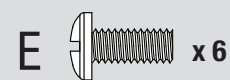
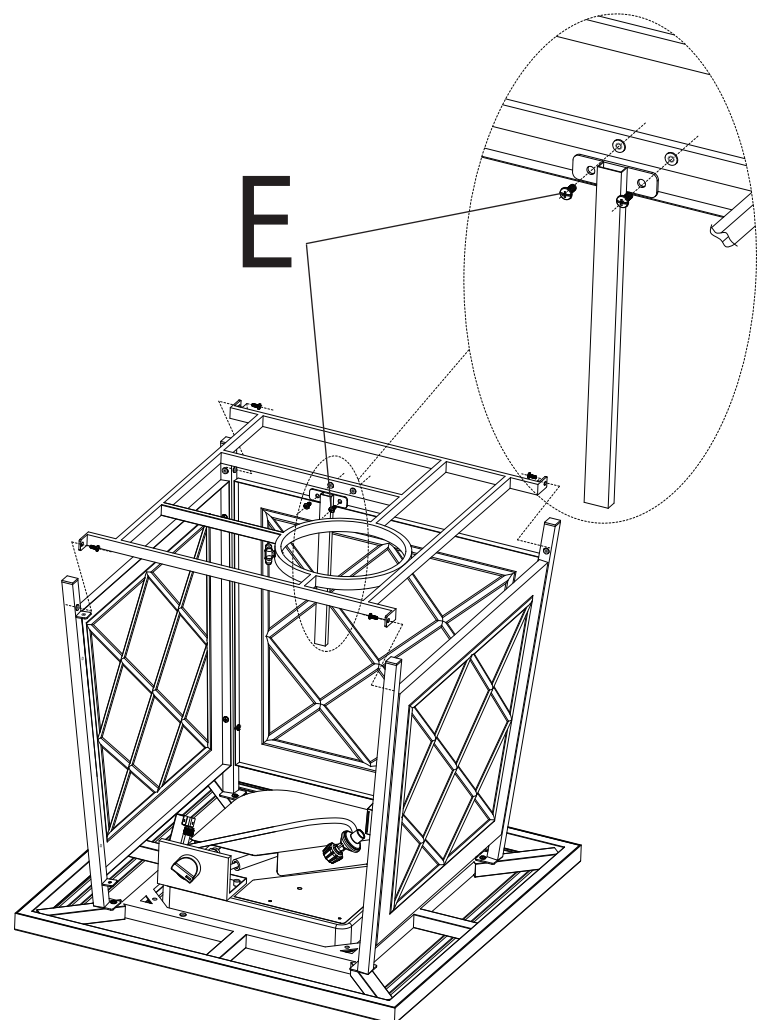
Note: Attach bottom screws before attaching top screws. Do not fully tighten screws until step 5.



4

Attach Base

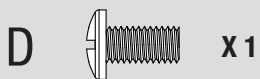
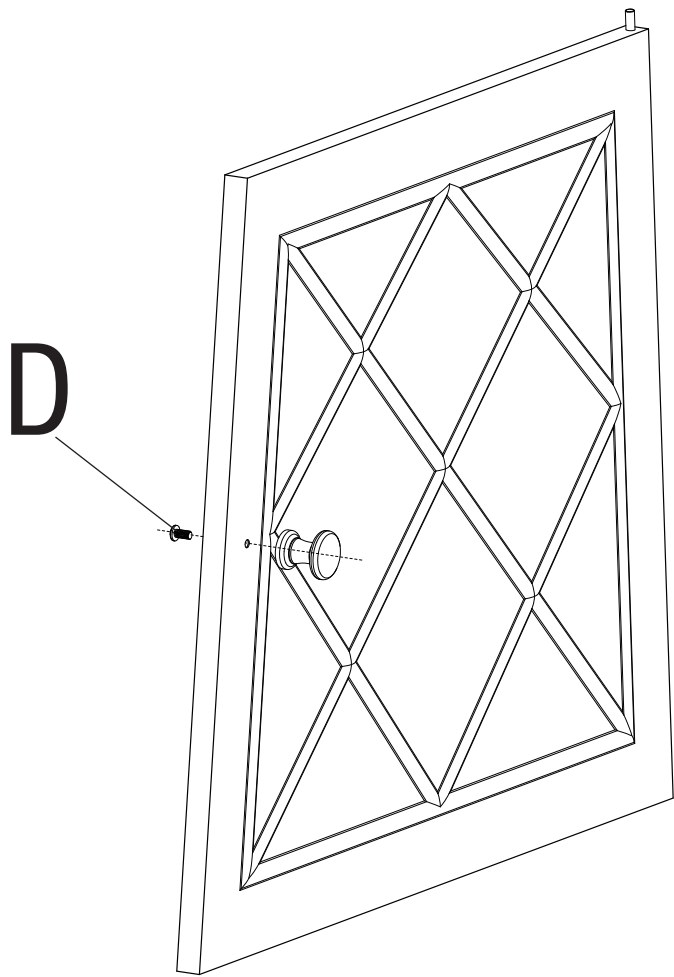
Note: Tighten all screws from steps 2-4.



Assembly Instructions (continued)

5

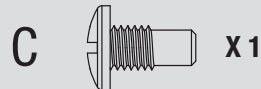
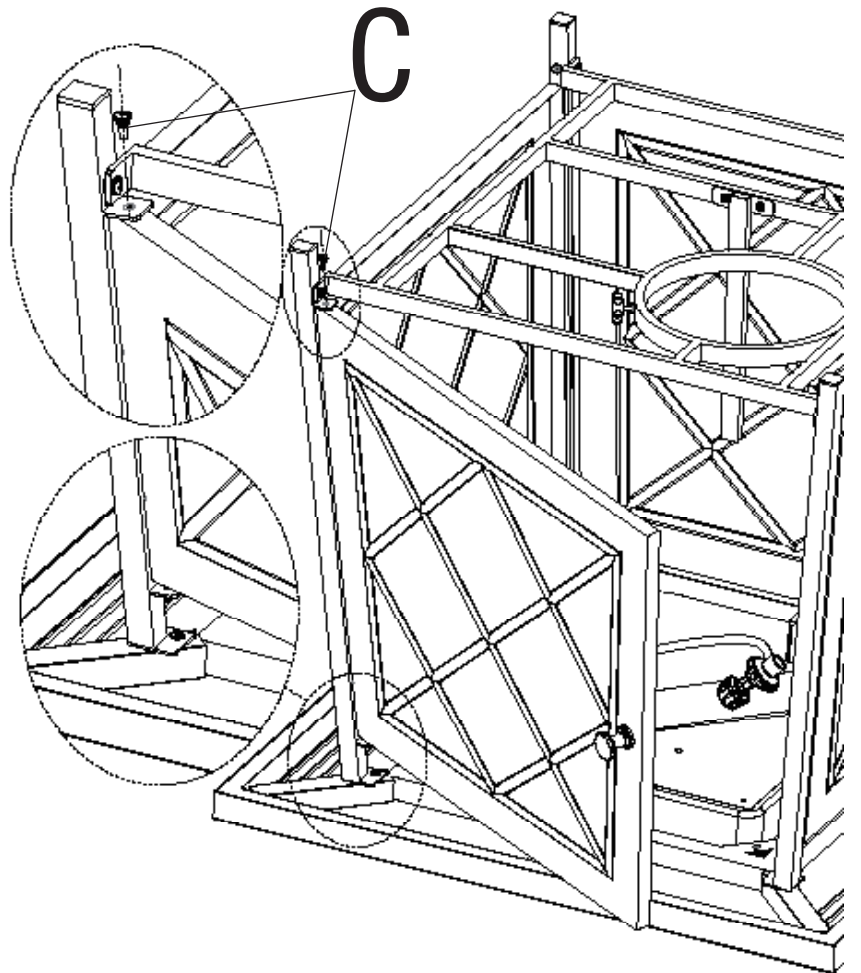
Attach the Knob onto Door



6

Attach Door and Turn Outdoor Fire Pit Over

▲ **CAUTION:** Two (2) people will be required to turn the outdoor fire pit upright on feet.

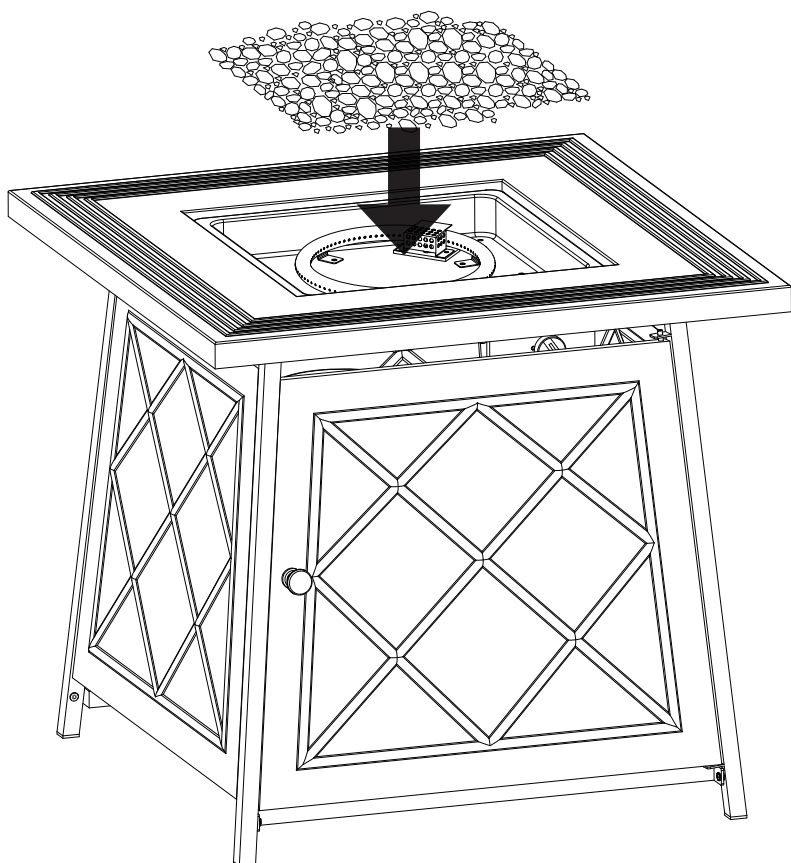


7

Place Lava Rocks

- ▲ **CAUTION:** Do NOT dump lava rocks out of package. Carefully place lava rocks by hand so dust does not clog burner.
- ▲ **CAUTION:** Use only Mr. Bar-B-Q Products LLC factory-authorized lava rocks. The use of any lava rocks that is not factory-authorized can be dangerous and will void your warranty.
- ▲ **CAUTION:** Do NOT cover pilot housing.

Note: Lava rocks should be 0.8-2.0 in. (2-5 cm) long. Approx. 5.07 lb (2.3 kg) of lava rocks are needed.



8

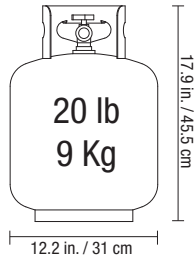
**IMPORTANT BEFORE USE
HOW TO SEASON LAVA ROCK**

1. Place the lava rocks into the fire pit bowl before turning on.
2. Follow the lighting instructions from the owner's manual to light the fire pit.
3. Turn the fire pit to the highest heat.
4. Allow the lava rocks to heat at the maximum temperature for 30 minutes before enjoying fire pit.
5. Keep all people and any material that could burn at least 15 feet away from the fire pit while the lava rocks are being seasoned.
6. Repeat the process if your fire pit has been exposed to rain or moisture.
7. Keep your fire pit covered when not in use.

Installing LP Gas Tank

To operate, you will need one precision-filled standard grill LP gas tank with external valve threads.

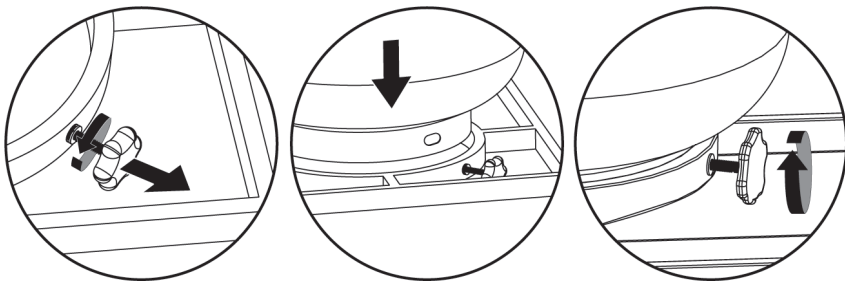
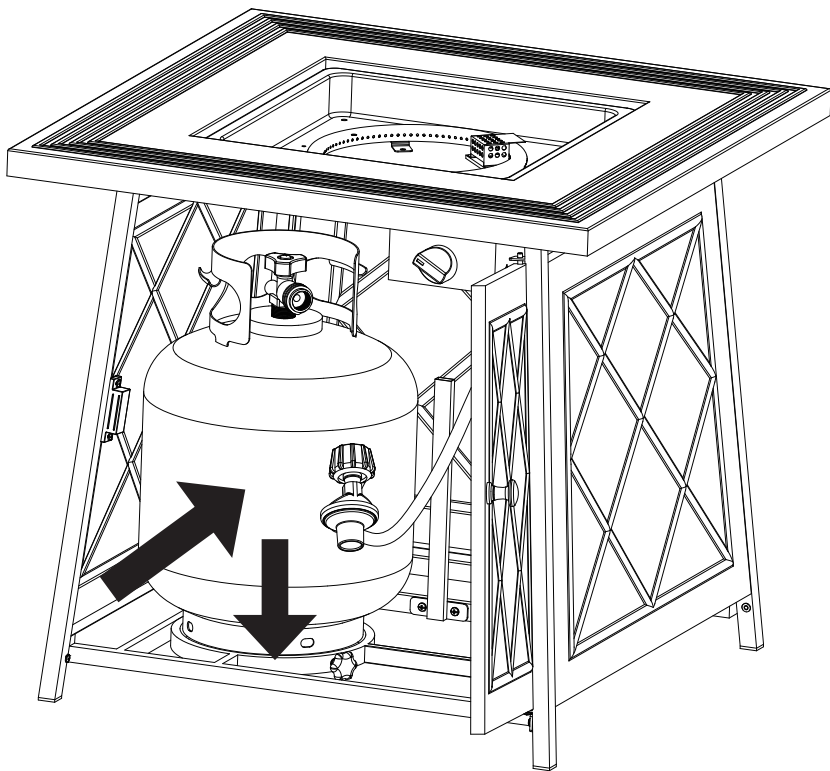
- ▲ **CAUTION:** LP gas tank must be properly disconnected and removed prior to moving this outdoor fire pit.



Inserting LP Gas Tank

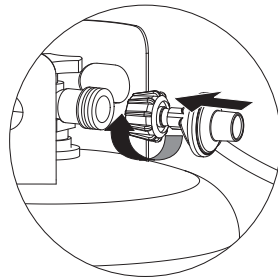
- ▲ **WARNING:** Make sure LP gas tank valve is closed.

1. Open door.
2. Make sure the control knob is in the "OFF" position (Figure 3).
3. Loosen LP gas tank retainer bolt by turning counter-clockwise.
4. Place precision-filled LP gas tank upright into hole in outdoor fire pit base so the tank valve is facing the gas line connection.
5. Secure tank by turning LP gas tank retainer bolt clockwise until tight.
6. Close door.



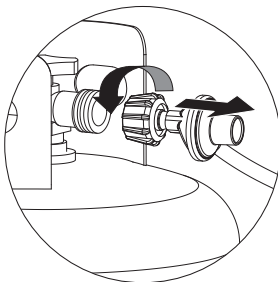
Connecting LP Gas Tank

1. Make sure the control knob is in the "OFF" position (Figure 3).
2. Before connecting, be sure there is no debris caught in the head of the LP gas tank, head of the regulator valve or in the head of the burner or burner ports.
3. Connect regulator/hose assembly to tank by turning knob clockwise until it stops.
4. Perform leak check per "Checking for Leaks" section.



Disconnecting LP Gas Tank

1. Make sure the control knob is in the "OFF" position (Figure 3).
2. Before disconnecting, make sure the LP gas tank valve is "CLOSED."
3. Disconnect regulator/hose assembly from LP gas tank by turning knob counterclockwise until it is loose.
- ▲ **CAUTION:** LP gas tank must be properly disconnected and removed prior to moving this fire pit.
4. Place the protective cap cover on the LP tank and store the tank outdoors in a well ventilated area out of direct sunlight.



Operating Instructions

Checking for Leaks

- ▲ **WARNING:** Before using this outdoor fire pit, make sure you have read, understand and are following all information provided in the "Important Safeguards" section on page 2. Failure to follow those instructions can cause death, serious injury or property damage.

- ▲ **WARNING:** The burner must be replaced prior to the appliance being put into operation if it is evident that the burner is damaged. The replacement burner shall be that specified by the manufacturer.

Burner Connections

1. Make sure the regulator hose and valve connections are securely fastened to the burner and the tank.
2. Visually check the connection between the burner/venturi tube and orifice.
3. Make sure the burner/venturi tube fits over the orifice.
- ▲ **WARNING:** Failure to inspect this connection or follow these instructions could cause a fire or an explosion which can cause death, serious bodily injury or damage to property.
4. Please refer to diagram for proper installation (Figures 1 and 2).
5. If the burner/venturi tube does not rest flush to the orifice, as shown, please contact 1.888.398.8643 for assistance.

Tank/Gas Line Connection

1. Make 2-3 oz. of leak detection solution by mixing one part liquid dishwashing soap with three parts water.
2. Make sure control knob is in the "OFF" position (Figure 3).
3. Connect LP gas tank per "Installing LP Gas Tank" section.
4. Turn LP gas tank valve to "OPEN."
5. Spoon several drops of solution, or use a squirt bottle, at all "X" locations (Figures 1 and 2).
 - a. If any bubbles appear, turn LP gas tank valve to "CLOSED," reconnect and re-test.
 - b. If you continue to see bubbles after several attempts, turn LP gas tank valve to "CLOSED" and disconnect LP gas tank, per "Disconnecting LP Gas Tank" section. Contact 1.800.762.1142 for assistance.
 - c. If no bubbles appear after one minute, turn LP gas tank valve to "CLOSED," wipe away solution and proceed.

Lighting

- ▲ **DANGER:** Failure to follow these lighting instructions may result in serious bodily injury or death, or in a fire or an explosion causing damage to property.
- ▲ **WARNING:** NEVER light the burner with the cover on the outdoor fire pit.
- ▲ **CAUTION:** Keep outdoor gas appliance area clear and free from combustible materials, gasoline and other flammable vapors and liquids.
- ▲ **CAUTION:** Do NOT obstruct the flow of combustion and ventilation air.
- ▲ **CAUTION:** Check and clean burner/venturi tubes for insects and insect nests. A clogged tube can lead to a fire.

 1. Make sure all labels, packaging and protective films have been removed from the outdoor fire pit.
 2. Check for obstructions of airflow to the burner. Spiders, insects and webs can clog the burner/venturi tube. A clogged burner tube can lead to a fire.
 3. Make sure control knob is in the "OFF" position (Figure 3).
 4. Clear small area of lava rocks/fire glass away from the igniter cover (Figure 4).

Figure 1

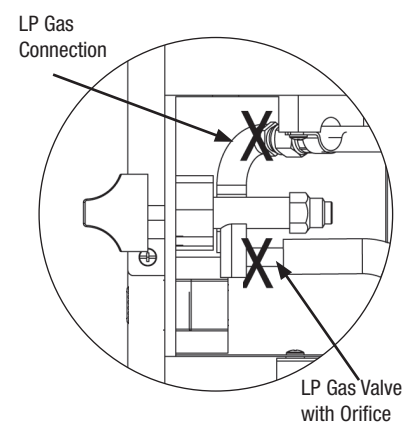


Figure 2

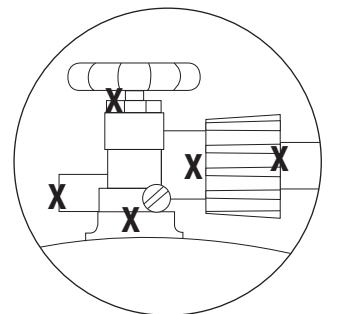


Figure 3

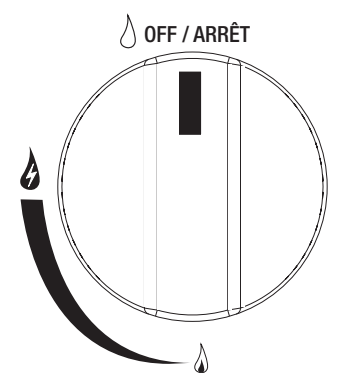


Figure 4

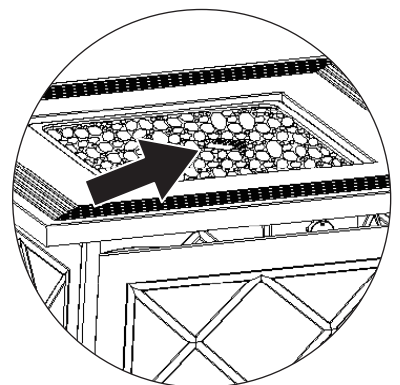
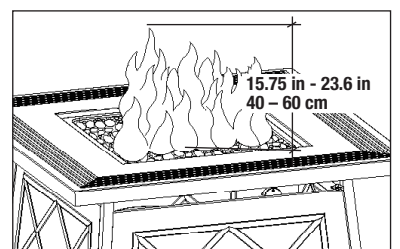


Figure 5



Operating Instructions (continued)

- Connect LP gas tank per "Installing LP Gas Tank" section.
 - Slowly turn LP gas tank valve 1 revolution to "OPEN."
 - Push and turn control knob to 🔥 (HIGH). Continue to hold the control knob in to light.
 - After the fire pit lights, continue to hold the control knob in for 20 seconds to heat the thermocouple, a safety device that stops the gas flow when a firepit is not lit. Holding the knob in for 20 seconds warms it up so the gas flow will continue.
 - After 20 seconds, release and turn control knob counterclockwise to adjust flame to desired height.
 - After three attempts, if ignition does not occur, turn the burner control knob to "🔥 OFF."
 - Wait 5 minutes, fan with a newspaper or magazine, and repeat lighting procedure.
 - If igniter does not light burner:
 - Wearing heat-resistant gloves, position a lit long match or lit long butane lighter near the pilot housing.
 - Push and turn control knob to 🔥 (HIGH).
 - Remove match/lighter once burner is lit.
- ⚠ CAUTION: After lighting - using a fire pit tool and heat-resistant gloves, carefully move the lava rock/fire glass back to their proper position, being careful to avoid the flame.**
- After lighting, observe the burner flame. Make sure all burner ports are lit and flame height matches illustration (Figure 5).
- ⚠ CAUTION: If ignition does not occur in 5 seconds, turn control knob to "🔥 OFF," wait 5 minutes, fan with a newspaper or magazine, and repeat lighting procedure.**

Turning Off

- Turn LP gas tank valve to "CLOSED."
- Turn control knob to the "🔥 OFF" position.
Note: A "poof" sound is normal as the last of the LP gas is burned.
- Disconnect LP gas tank per "Disconnecting LP Gas Tank" section.

Cleaning and Care

- ⚠ CAUTION:**
- All cleaning and maintenance should be done when outdoor fire pit is cool and with the fuel supply disconnected.**
 - Do NOT clean any outdoor fire pit part in a self-cleaning oven. The extreme heat will damage the finish.**
 - Do NOT enlarge valve orifices or burner ports when cleaning the valves or burners.**
 - All components on this outdoor fire pit can become hot.**
 - Do NOT clean this outdoor fire pit until all components are cool.**

Notices

- This outdoor fire pit should be thoroughly cleaned and inspected on a regular basis.**
- Abrasive cleaners will damage this product.**
- NEVER use oven cleaner to clean any part of this outdoor fire pit.**

Before Each Use:

- Keep the outdoor fire pit area clear and free from any combustible materials, gasoline, and other flammable vapors and liquids.
- Do NOT obstruct the flow of the combustion of LP gas and the ventilation of air.
- Keep the ventilation opening(s) of the LP gas tank area free and clear from debris.
- Visually check the burner flames to make sure your outdoor fire pit is working properly (Figure 5).
- See below for proper cleaning instructions.
- Check all gas connections for leaks.
- Check components for any signs of damage or rust.
- Check for obstructions of airflow to the burner. Spiders, insects and webs can clog the burner/venturi tube. A clogged burner/venturi tube can lead to a fire.
- If damage to any component is detected, do NOT operate until repairs are completed.

Cleaning Surfaces

- Wipe surfaces clean with mild dishwashing detergent or baking soda mixed with water.
- For stubborn stains, use a citrus-based cleaner and a nylon scrubbing brush.
- Rinse clean with water.
- Allow to air dry.

Cleaning Burner

- ⚠ WARNING: All cleaning should be done when appliance is cool and with the fuel supply disconnected per "Disconnecting LP Gas Tank."**
- Remove the lava rock/fire glass.
 - Remove all dirt/dust from the burner, igniter cover and venturi area with a small brush and/or compressed air.

Cleaning and Care (continued)

- Visually inspect the burner for any rust or damage. If damage is found, replace necessary parts with new from the manufacturer.
- Clean any clogged burner ports with a stiff wire (such as an opened paper clip).
- Carefully replace the lava rock/fire glass being cautious not to block the igniter cover.

Before Storing

- Turn LP gas tank valve to "CLOSED."
 - Turn control knob to the "🔥 OFF" position.
Note: A "poof" sound is normal as the last of the gas is burned.
 - Disconnect LP gas tank per "Disconnecting LP Gas Tank" section.
 - Clean all surfaces.
 - Lightly coat the burner with cooking oil to prevent excess rusting.
- ⚠ CAUTION: NEVER place cover on hot outdoor fire pit.**
- If storing the outdoor fire pit indoors, cover the outdoor fire pit and store in a cool dry location away from children and pets.
 - If storing the outdoor fire pit outdoors, cover the outdoor fire pit with a cover for protection from the weather.

Product Registration

For faster warranty service, please register your product immediately. To register, email registration@mrbarbq.com with your name, address, phone number and copy of your receipt or call 1.888.398.8643.

Replacement Parts

For replacement parts, call 1.888.398.8643.

Limited Warranty

Mr. Bar-B-Q Products LLC warrants to the original retail purchaser of this product, and to no other person, that if this product is assembled, maintained, and operated in accordance with the printed instructions accompanying it, then for a period of one (1) year from the date of purchase, all parts in such product shall be free from defects in material and workmanship. Mr. Bar-B-Q Products LLC may require reasonable proof of your date of purchase. Therefore, you should retain your sales slip or invoice. This Limited Warranty shall be limited to the repair or replacement of parts, which prove defective under normal use and service and which Mr. Bar-B-Q Products LLC shall determine in its reasonable discretion upon examination to be defective. Before returning any parts, you should contact Mr. Bar-B-Q Products LLC Customer Care Department using the contact information listed below. If Mr. Bar-B-Q Products LLC confirms, after examination, a defect covered by this Limited Warranty in any returned part, and if Mr. Bar-B-Q Products LLC approves the claim, Mr. Bar-B-Q Products LLC will replace such defective part without charge. If you return defective parts, transportation charges must be prepaid by you. Mr. Bar-B-Q Products LLC will return replacement parts to the original retail purchaser, freight or postage prepaid.

This Limited Warranty does not cover any failures or operating difficulties due to accident, abuse, misuse, alteration, misapplication, improper installation or improper maintenance or service by you or any third party, or failure to perform normal and routine maintenance on the product as set out in this owner's manual. In addition, the Limited Warranty does not cover damage to the finish, such as scratches, dents, discoloration, rust or other weather damage, after purchase.

This Limited Warranty is in lieu of all other express warranties. Mr. Bar-B-Q Products LLC disclaims all warranties for products that are purchased from sellers other than authorized retailers or distributors, including the warranty of merchantability or the warranty of fitness for a particular purpose. Mr. Bar-B-Q Products LLC ALSO DISCLAIMS ANY AND ALL IMPLIED WARRANTIES, INCLUDING WITHOUT LIMITATION THE IMPLIED WARRANTIES OF MERCHANTABILITY AND FITNESS FOR A PARTICULAR PURPOSE. Mr. Bar-B-Q Products LLC SHALL HAVE NO LIABILITY TO PURCHASER OR ANY THIRD PARTY FOR ANY SPECIAL, INDIRECT, PUNITIVE, INCIDENTAL, OR CONSEQUENTIAL DAMAGES. Mr. Bar-B-Q Products LLC further disclaims any implied or express warranty of, and assumes no responsibility for, defects in workmanship caused by third parties.

This Limited Warranty gives the purchaser specific legal rights; a purchaser may have other rights depending upon where he or she lives. Some jurisdictions do not allow the exclusion or limitation of special, incidental or consequential damages, or limitations on how long a warranty lasts, so the above exclusion and limitations may not apply to everyone.

Mr. Bar-B-Q Products LLC does not authorize any person or company to assume for it any other obligation or liability in connection with the sale, installation, use, removal, return, or replacement of its equipment, and no such representations are binding on Mr. Bar-B-Q Products LLC.

Mr. Bar-B-Q Products LLC
10 Hub Dr., Ste 101, Melville, NY 11747 USA
1.888.398.8643

Troubleshooting

Problem	Possible Cause	Prevention/Cure
Burner will not light using igniter	LP gas tank valve is closed	Make sure regulator is securely attached to the LP gas tank per "Installing LP Gas Tank," then turn LP gas tank valve to "OPEN"
	LP gas tank is low or empty	Exchange, refill or replace LP gas tank
	LP gas leak	1. Turn LP gas tank valve to "CLOSED" 2. Wait 5 minutes for gas to clear 3. Follow "Checking for Leaks" section
	Electrode and burners are wet	Wipe dry with cloth
	Electrode cracked or broken - sparks at crack	Replacement part(s) may be needed - contact Customer Care at 888.398.8643
	Wire loose or disconnected	Reconnect wire or replacement part(s) may be needed - contact Customer Care at 888.398.8643
	Wire is shorting (sparking) between igniter and electrode	Replacement part(s) may be needed - contact Customer Care at 888.398.8643
	Thermocouple is not operating correctly	1. Disconnect LP Gas tank per "Disconnect LP Gas Tank" section. 2. Clean area around thermocouple. 3. Connect LP gas tank per "Connect LP Gas Tank" section. 4. Relight per "Lighting" section. 5. If the outdoor fire pit is still not working, please contact Customer Care at 888.398.8643 for additional assistance.
Bad igniter	Replacement part(s) may be needed - contact Customer Care at 888.398.8643	
Burner will not light with match	No gas flow	Check if LP gas tank is empty a. If empty, exchange, refill or replace LP gas tank b. If LP gas tank is not empty, refer to "Sudden drop in gas flow or reduced flame height" (see below)
	LP gas tank is low or empty	Exchange, refill or replace LP gas tank
	LP gas leak	1. Turn LP gas tank valve to "CLOSED" 2. Wait 5 minutes for gas to clear 3. Follow "Checking for Leaks" section
	Coupling nut and regulator not fully connected	Turn the coupling nut about one-half to three-quarters additional turn until solid stop. Tighten by hand only - do NOT use tools.
	Obstruction of gas flow	1. Clear burner/venturi tube 2. Check for bent or kinked hose
	Disengagement of burner to valve	Re-engage burner and valve
	Spider webs or insect nest in burner/venturi tube	Clean burner/venturi tube
	Thermocouple is not operating correctly	1. Disconnect LP Gas tank per "Disconnect LP Gas Tank" section. 2. Clean area around thermocouple. 3. Connect LP gas tank per "Connect LP Gas Tank" section. 4. Relight per "Lighting" section. 5. If the outdoor fire pit is still not working, please contact Customer Care at 888.398.8643 for additional assistance.
Burner ports clogged or blocked	Clean burner ports	
Sudden drop in gas flow or reduced flame height	Out of gas	Exchange, refill or replace LP gas tank
	Overfilling prevention device may have been activated	1. Turn control knob to "OFF" 2. Wait 30 seconds and light outdoor fire pit per "Lighting" section 3. If flames are still too low, reset the overfilling prevention device: a. Turn control knob "OFF" b. Turn LP gas tank valve to "CLOSED" c. Disconnect LP gas tank from regulator d. Turn control knob to (HIGH) e. Wait two minutes f. Turn control knob to "OFF" g. Reconnect LP gas tank to regulator and leak check connections, being careful not to fully open valve h. Light outdoor fire pit per "Lighting" section
Irregular flame pattern, flame does not run the full length of burner	Burner ports are clogged or blocked	Clean burner ports
Flame is yellow or orange	New burner may have residual manufacturing oils	Burn outdoor fire pit for 15 minutes and reinspect
	Spider webs or insect nest in burner/venturi tube	Clean burner/venturi tube
	Poor alignment of valve to burner/venturi tube	Ensure burner/venturi tube is properly engaged with valve
Flame goes out	High or gusting winds	Do not use outdoor fire pit in high winds
	Low on LP gas	Exchange, refill or replace LP gas tank
	Excess flow valve tripped	Refer to "Sudden drop in gas flow or reduced flame height"
	Thermocouple is not operating correctly	1. Disconnect LP Gas tank per "Disconnect LP Gas Tank" section. 2. Clean area around thermocouple. 3. Connect LP gas tank per "Connect LP Gas Tank" section. 4. Relight per "Lighting" section. 5. If the outdoor fire pit is still not working, please contact Customer Care at 888.398.8643 for additional assistance.
Flashback (fire in venturi/burner tube(s))	Burner and/or burner/venturi tube is blocked	Clean burner and/or burner/venturi tube
Flame seems to lose heat when burning in cold weather - temperature below 50°F	Ice has built up on the outside of the LP gas tank because the vaporization process is too slow	1. Turn off per "Turning Off" section 2. Replace with a spare LP gas tank 3. Reconnect LP gas tank per "Installing LP Gas Tank" section 4. Follow "Checking for Leaks" section 5. Light outdoor fire pit per "Lighting" section

For assistance, please visit us at MrBarBQProducts.com or call 1.888.398.8643.



? Necesita ayuda? Llame al 1.888.398.8643. No vuelva al lugar de compra.

**Para piezas de repuesto
1.888.398.8643**

Resolución de problemas (continuación)

Problema	Causa posible	Prevención/solución
Caída repentina del flujo de gas o altura de la llama insuficiente.	Flujo excesivo: puede que se haya activado el dispositivo de seguridad de exceso de flujo.	<ol style="list-style-type: none"> 1. Gire la perilla de control a la posición "APAGADO". 2. Espere 30 segundos y encienda la chimenea siguiendo las instrucciones descritas en la sección "Encendido" del manual. 3. Si las llamas continúan siendo demasiado bajas reinicie el dispositivo de seguridad de flujo excesivo: <ol style="list-style-type: none"> a. Gire la(s) perilla(s) de control a la posición "APAGADO". b. Cierre el gas girando la válvula del tanque de propano líquido a la posición "CLOSED" (cerrado). c. Desconecte el regulador. d. Gire las perillas de control a la posición (alto). e. Espere 2 minutos. f. Gire las perillas de control a la posición "APAGADO". g. Vuelva a conectar el regulador y verifique las conexiones para averiguar que no haya fugas. Tenga cuidado, asegúrese de no abrir la válvula completamente. h. Encienda la chimenea para exteriores conforme a las instrucciones de encendido.
Falta de uniformidad en la llama, la llama no cubre toda la longitud del quemador.	Los orificios del quemador están atascados u obstruidos.	Limpie los orificios del quemador.
La llama es de color amarillo o anaranjado.	<p>Telarañas o nidos de insectos en el tubo/venturi del quemador.</p> <p>La válvula no queda correctamente alineada con el venturi del quemador.</p>	<p>Limpie el tubo/venturi del quemador.</p> <p>Asegúrese de que el tubo/venturi del quemador está conectado adecuadamente a la válvula.</p>
La llama se apaga.	<p>Vientos fuertes o racheados.</p> <p>Nivel de gas del tanque de propano bajo.</p> <p>Puede que se haya activado el dispositivo de seguridad de exceso de flujo.</p>	<p>No use la chimenea para exteriores cuando hay vientos fuertes.</p> <p>Cambie, reemplace o vuelva a llenar el tanque de propano.</p> <p>Consulte la sección "Caída repentina del flujo de gas o altura de llama insuficiente" de esta página.</p>
Fogonazo (fuego dentro del venturi/tubo(s) del quemador.	El quemador y/o el tubo venturi del quemador está bloqueado.	Limpie el tubo/venturi del quemador.
La llama pierde calor cuando la temperatura exterior baja debajo de 50°F (10°C)	Puede que haya escarcha en el exterior del tanque si el proceso de vaporización es demasiado lento.	<ol style="list-style-type: none"> 1. Apáguela siguiendo las instrucciones de la sección "Para apagar". 2. Cambie, reemplace o vuelva a llenar el tanque de propano. 3. Vuelva a conectar el tanque de propano siguiendo las instrucciones descritas en la sección "Instalar el tanque de propano" del manual. 4. Siga las indicaciones de "Detección de fugas" descritas en el manual del usuario. 5. Encienda la chimenea para exteriores conforme a las instrucciones de encendido.

Para ayuda más detallada, sírvase visitar en MrBarbQProducts.com o llámanos al 1.888.398.8643.

Resolución de problemas

Problema	Causa posible	Prevención/solución
El quemador no se enciende utilizando el encendedor.	<p>La válvula del tanque de gas propano está cerrada.</p> <p>Asegúrese de que el regulador esté conectado de manera segura en el tanque de gas propano siguiendo las instrucciones descritas en la sección "Instalar el tanque de propano" y luego gire la válvula del tanque de gas propano a la posición "OPEN" (abierta)</p> <p>Nivel de gas del tanque de propano bajo o tanque vacío.</p> <p>Cambie, reemplace o llene el tanque de propano.</p> <p>Fuga de gas propano</p> <ol style="list-style-type: none"> Cierre la válvula del tanque de gas propano líquido girándola a la posición "CLOSED" (cerrado). Espera 5 minutos para que se disperse el gas. Siga las indicaciones de "Inspección de fugas" descritas en el manual del usuario. <p>Los electrodos y los quemadores están mojados.</p> <p>Sequielos con un paño.</p> <p>Electrodo agrietado o roto; chispas en las grietas.</p> <p>Electrodo suelto o desconectado.</p> <p>Puede ser necesario volver a conectar el cable u obtener piezas de repuesto.</p> <p>Comuníquese con el Servicio al Cliente al 888.398.8643</p> <p>Cable suelto o desconectado.</p> <p>Puede ser necesario volver a conectar el cable u obtener piezas de repuesto.</p> <p>Comuníquese con el Servicio al Cliente al 888.398.8643</p> <p>El cable tiene un cortocircuito (chispeo) entre el encendedor y el electrodo.</p>	<p>Encendedor defectuoso.</p> <p>Pueden necesitarse piezas de repuesto. Comuníquese con el Servicio al Cliente al 800.762.1142</p>
El quemador no se enciende con una cerilla.	<p>La válvula del tanque de gas propano no está conectada por completo.</p> <p>Obstrucción del flujo de gas.</p> <ol style="list-style-type: none"> Limpie los tubos del quemador. Verifique que la manguera no esté torcida o doblada. <p>Desacoplamiento del quemador a la válvula.</p> <p>Vuelva a conectar el quemador y la válvula.</p> <p>Telarñas o nidos de insectos en el venturi.</p> <p>Vuelva a conectar el quemador y la válvula.</p> <p>Obstrucción del flujo de gas.</p> <p>La tuerca de acoplamiento no está conectada por completo.</p> <p>Gire la tuerca de acoplamiento entre media vuelta y tres cuartos de vuelta hasta que haga tope con firmeza. Apriete únicamente a mano, SIN utilizar ninguna herramienta.</p> <p>Nivel de gas del tanque de propano bajo o tanque vacío.</p> <p>Cambie, reemplace o llene el tanque de propano.</p> <p>Fuga de gas propano</p> <ol style="list-style-type: none"> Cierre la válvula del tanque de gas propano líquido girándola a la posición "CLOSED" (cerrado). Espera 5 minutos para que se disperse el gas. Siga las indicaciones de "Detección de fugas" descritas en el manual del usuario. <p>No hay flujo de gas.</p> <p>Compruebe si el tanque de propano líquido está vacío.</p> <ol style="list-style-type: none"> Si está vacío, cámbielo, reemplácelo o vuelva a llenarlo. Si el tanque de propano líquido no está vacío, consulte la sección "Calda repentina del flujo de gas o altura de llama insuficiente" de esta página. 	<p>Orificios del quemador atascados u obstruidos.</p> <p>Limpe los orificios del quemador.</p> <p>El termopar no funciona correctamente</p> <ol style="list-style-type: none"> Desconecte el tanque de gas propano líquido siguiendo las instrucciones descritas en la sección "Desconectar el tanque de gas propano líquido". Limpie el área alrededor del termopar Conecte el tanque de gas propano líquido siguiendo las instrucciones descritas en la sección "Conectar el tanque de gas propano líquido". Vuelva a encender siguiendo las instrucciones de la sección "Encendido". Si la chimenea para exteriores no funciona todavía, sírvase comunicarse con el Servicio al Cliente llamando al 888.398.8643 para pedir ayuda.

? Necesita ayuda? Llame al 1.888.398.8643. No vuelva al lugar de compra.

Para piezas de repuesto
1.888.398.8643

Registro del producto

Para recibir un servicio de garantía más rápido, sírvase registrar su producto inmediatamente. Para registrarlo, envíe un correo a registration@mrbarbq.com con su nombre, dirección, número de teléfono y su recibo de compra o llame al 1.888.398.8643.

Piezas de repuesto

Para ordenar piezas de repuesto, sírvase llamar al 1.888.398.8643.

Garantía limitada

Mr. Bar-B-Q Products LLC garantiza al comprador original al detal de este producto, y a ninguna otra persona, que si la unidad se arma y opera de acuerdo con las instrucciones impresas que la acompañan y por un periodo de un (1) año a partir de la fecha de compra, todas las piezas de este producto estarán libres de defectos en material y mano de obra. Mr. Bar-B-Q Products LLC podrá requerir prueba razonable de la fecha de compra. Por lo tanto, usted debe conservar el recibo de venta o la factura. Esta garantía limitada estará limitada a la reparación o reemplazo de las piezas que resulten defectuosas en condiciones de servicio y uso normal y las que un examen indique, a satisfacción de Mr. Bar-B-Q Products LLC, que están defectuosas. Antes de devolver cualquier pieza, comuníquese con el Departamento de Servicio al Cliente de Mr. Bar-B-Q Products LLC. Si Mr. Bar-B-Q Products LLC confirma el defecto y aprueba el reclamo, Mr. Bar-B-Q Products LLC decidirá reemplazar tales partes sin costo alguno. Si se le pide que devuelva las partes defectuosas, los costos de transporte deberán ser prepagados. Mr. Bar-B-Q Products LLC devolverá las partes al cliente con costo de transporte o envío prepagados.

Esta garantía limitada no cubre fallas o dificultades de operación debidas a accidente, abuso, mal uso, alteración, empleo en usos inapropiados, instalación defectuosa o mantenimiento o servicio inapropiado o falla en la realización de mantenimiento normal y rutinario como se prescribe en este manual del usuario. Además, la garantía limitada no cubre daños al terminado de la unidad, tales como rasguños, abolladuras, descoloridos, oxidaciones y otros daños causados por la intemperie después de la compra de la unidad.

Esta garantía limitada reemplaza cualquier otra garantía. Mr. Bar-B-Q Products LLC no asume ninguna responsabilidad por garantías de productos vendidos por quienes no sean distribuidores o vendedores al detal autorizados. Esta exención de responsabilidad incluye cualquier garantía de comerciabilidad o la garantía de aptitud para un propósito en particular. MR. BAR-B-Q PRODUCTS LLC NO SE HACE RESPONSABLE POR NINGUNA GARANTIA IMPLICITA INCLUYENDO, SIN LIMITACIONES, LAS GARANTIAS IMPLICITAS DE COMERCIABILIDAD Y ADAPTABILIDAD A UN PROPOSITO PARTICULAR. MR. BAR-B-Q PRODUCTS LLC NO ASUME RESPONSABILIDAD ANTE EL COMPRADOR O ANTE CUALQUIER TERCERA PERSONA POR DAÑOS ESPECIALES, INDIRECTOS, PUNITIVOS, INCIDENTALES O CONSECUENCIALES. Mr. Bar-B-Q Products LLC, además, no asume responsabilidad por garantías implícitas o expresas por defectos de mano de obra causados por terceras personas.

Esta garantía limitada le da al comprador derechos legales específicos y el comprador puede tener otros derechos según el lugar donde el comprador o la compradora residan. Ciertas jurisdicciones no permiten limitaciones en cuanto a la duración de una garantía implícita, de manera que esta limitación puede no ser aplicable a usted.

Mr. Bar-B-Q Products LLC no autoriza a ninguna persona o compañía para asumir por Mr. Bar-B-Q Products LLC cualquier otra obligación a responsabilidad relacionada con la venta, instalación, uso, remoción, devolución o reemplazo de este equipo y cualquier representación de esta naturaleza no obliga a Mr. Bar-B-Q Products LLC.

Mr. Bar-B-Q Products LLC
10 Hub Dr., Ste 101, Melville, NY 11747 USA
1.888.398.8643

Fonctionnement (continuation)

1. Verifique que todos los empaques, etiquetas y envolturas de protección han sido removidos de la chimenea para exteriores.
2. Asegúrese de que no hay nada que obstruya el flujo de aire hasta el quemador. Un tubo de quemador/venturi obstruido puede provocar un incendio.
3. La perilla de control tiene que estar en la posición "APAGADO". Vea la Figura 3.
4. Despeje un área pequeña alejando las piedras de lava o de vidrio de la tapa del encendedor (Figura 4).
5. Conecte el tanque de gas propano líquido siguiendo las instrucciones descritas en la sección "Instalar el tanque de gas propano líquido".
6. Coloque la válvula del tanque de gas propano líquido en la posición "OPEN" (abierto).
7. Oprima y gire la perilla de control a la posición ▲ (ALTO). Debe encenderse el quemador. Si no se enciende, repita hasta un máximo de tres veces.
8. Después de encender la chimenea, siga presionando hacia adentro la perilla de control durante 20 segundos para calentar el termopar, un dispositivo de seguridad que detiene el flujo de gas cuando no se enciende la chimenea. Al presionar hacia adentro la perilla durante 20 segundos, se calienta el termopar y permite que continúe el flujo de gas.
9. Después de 20 segundos, suelte y gire la perilla de control en el sentido contrario a las manecillas del reloj para ajustar la llama a la altura deseada.
10. Si la chimenea no enciende después de tres intentos, coloque la perilla de control en la posición de apagado ("OFF").
11. Espere 5 minutos, ventile con un peridóico o revista, y repita el procedimiento de encendido.
12. Si el encendedor no enciende el quemador:
 - a. Colóquese guantes resistentes al calor y coloque un fósforo largo encendido o un encendedor de butano largo encendido cerca de la carcasa del piloto.
 - b. Presione y gire la perilla de control a la posición ▲ (HIGH).
 - c. Retire la cerilla o encendedor una vez que el quemador esté encendido.

- ▲ PRECAUCIÓN: Después de encender la unidad, con una herramienta de chimenea y con guantes resistentes al calor puestos, cuidadosamente mueva las piedras de lava o las piedras de vidrio a su lugar apropiado, teniendo cuidado de no acercarse a las llamas.**
13. Después de encender el quemador observe su llama y asegúrese de que todos los orificios estén encendidos y que la altura de la llama corresponda a la del diagrama (vea Figura 5).
- ▲ PRECAUCIÓN: Si la llama del quemador se apaga durante el funcionamiento, cierre el gas inmediatamente girando la perilla a la posición "APAGADO". Deje que el gas se despeje y luego abanique con un peridóico o revista durante aproximadamente 5 minutos antes de volver a encender la unidad.**

Apagado

1. Cierre la válvula del tanque de gas propano líquido girándola a la posición "CLOSED" (cerrado).
2. Gire la perilla de control a la posición "APAGADO"

Nota: El ruido de "put" es normal cuando el residuo de gas propano licuado en la línea se ha extinguido.
3. Desconecte el tanque de propano de acuerdo con las instrucciones descritas en la sección "Desconectar el tanque de propano de gas propano líquido".

Limpieza y cuidado

▲ PRECAUCIÓN:

1. Todas la operaciones de limpieza y mantenimiento deben realizarse con la chimenea para exteriores fría y con el tanque de propano desconectado.
2. NO limpie ninguna pieza de esta chimenea para exteriores en un horno de limpieza automática. El calor extremo dañará el terminado.
3. NO agrande los orificios de las válvulas ni los orificios de los quemadores al limpiar las válvulas o quemadores.
4. Todos los componentes de esta fogata al aire libre pueden calentarse.
5. Todos los componentes de esta fogata al aire libre pueden calentarse.

Avisos

1. Esta chimenea para exteriores debe limpiarse y verificarse completamente de manera regular.
2. No use productos de limpieza abrasivos pues dañarán este aparato.
3. No utilice nunca productos limpiadores para limpiar cualquier pieza de la chimenea para exteriores.

Cada vez que vaya a usar la unidad:

1. Mantenga el rededor de la unidad limpio y libre de materiales combustibles, gasolina, y otros líquidos y vapores inflamables.
2. No obstruya el flujo aire de combustión del propano líquido ni el aire de ventilación.
3. Mantenga la abertura o aberturas de la zona del tanque de gas propano líquido abiertas y libres de basura.

Antes de almacenar

1. Cierre la válvula del tanque de gas propano líquido girándola a la posición "CLOSED" (cerrado).
 2. Gire la perilla de control a la posición "APAGADO"

Nota: El ruido de "put" es normal cuando el residuo de gas propano licuado en la línea se ha extinguido.
 3. Desconecte el tanque de propano de acuerdo con las instrucciones descritas en la sección "Desconectar el tanque de gas propano líquido" y guárdelo en un lugar apropiado.
 4. Limpie las superficies.
 5. Cubra con una capa delgada de aceite de cocinar el quemador para evitar que se oxide excesivamente.
- ▲ PRECAUCIÓN: NUNCA coloque la cubierta sobre la chimenea de exteriores caliente.**
6. Si guarda la chimenea de exteriores en interiores, cubrala y guárdela en un lugar fresco y seco lejos de los niños y las mascotas.
 7. Si guarda la chimenea de exteriores al aire libre, cubrala con una cubierta a fin de protegerla contra la intemperie.

Limpieza del quemador

- ▲ ADVERTENCIA: La limpieza siempre debe hacerse cuando el equipo se ha enfriado y con el suministro de combustible desconectado conforme a la sección "Desconectar el tanque de gas propano líquido".**
1. Retire las piedras de vidrio o de lava.
 2. Limpie toda la suciedad y polvo del quemador, de la cubierta del encendedor y del área del tubo venturi con un cepillo pequeño y/o con aire comprimido.
 3. Visualmente inspeccione el quemador para determinar si está oxidado o dañado. Si encuentra daño, reemplace las piezas necesarias con piezas nuevas del fabricante.
 4. Limpie las salidas obstruidas de los quemadores con un cable rígido (por ejemplo con un sujetapapeles abieto).
 5. Cuidadosamente reemplace las piedras de vidrio o de lava, teniendo cuidado de no bloquear la tapa del encendedor.

Limpieza de las superficies

1. Limpie las superficies con un detergente suave de lavado de platos o con soda de hornear mezclado con agua.
2. En superficies de limpieza difícil, use un desengrasador a base de cítricos y un cepillo de nylon.
3. Enjuague las superficies con agua limpia.
4. Deje las superficies secar al aire libre.
4. Visualmente examine la llama del quemador para estar seguro de que la chimenea para exteriores está funcionando adecuadamente (vea la Figura 11).
5. Vea a continuación las instrucciones de limpieza apropiadas.
6. Revise todas las conexiones de gas para asegurarse de que no hayan fugas.
7. Revise los componentes para asegurarse de que no haya daño u óxido.
8. Verifique que no hayan obstrucciones en el quemador. Las arañas, insectos y telas de araña pueden obstruir el quemador/tubo venturi. Un quemador/tubo venturi obstruido puede causar incendio.
9. Si se detecta daño en cualquiera de los componentes, NO haga funcionar el artefacto hasta que se haya reparado.

Limpieza y cuidado (continuation)

? Necesita ayuda? Llame al 1.888.398.8643. No vuelva al lugar de compra.

Para piezas de repuesto 1.888.398.8643

Instalación del tanque de gas propano líquido (PL)

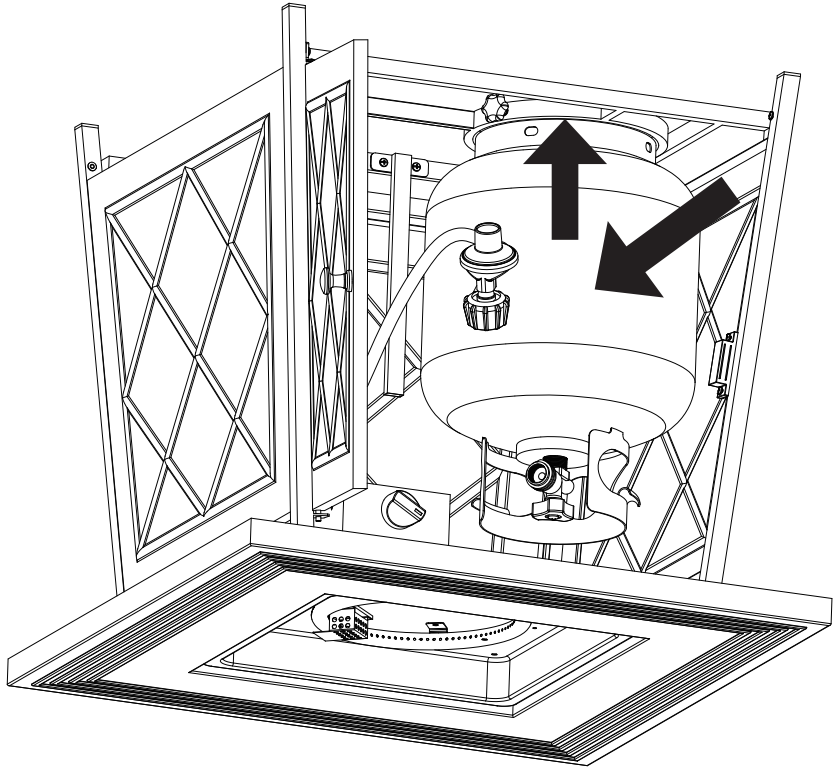
Para operar la chimenea para exteriores usted necesitará un (1) tanque de gas propano líquido para parilla estándar llenado con precisión con válvula roscada externa.

- ▲ **PRECAUCIÓN:** El tanque de gas propano líquido debe desconectarse correctamente y retirarse antes de mover esta chimenea para exteriores.

Insertar el tanque de gas PL

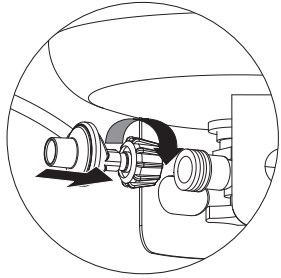
- ▲ **ADVERTENCIA:** Asegúrese de que la válvula del tanque de gas de propano líquido esté cerrada.

1. Abra la puerta.
2. Afloje el perno de retención del tanque de gas propano líquido girándolo en sentido contrario a las manecillas del reloj.
3. Coloque el tanque de gas propano líquido llenado a precisión en forma vertical dentro del orificio del soporte de la chimenea de manera que la válvula del tanque quede orientada hacia la conexión de la línea de gas.
4. Asegure el tanque girando el perno de retención del gas propano líquido en sentido de las manecillas del reloj hasta que esté apretado firmemente.
5. Cierre la puerta.



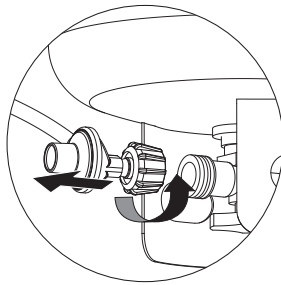
Conectar el tanque de gas PL

1. Asegúrese de que la perilla de control esté en la posición de "APAGADO" (Figura 3).
2. Antes de conectar, asegúrese de que no haya residuos atrapados en el cabezal de la válvula reguladora, ni en el cabezal del quemador y puertos del quemador.
3. Conecte el conjunto del regulador y manguera al tanque girando la perilla en sentido de las manecillas del reloj hasta que se detenga.
4. Asegúrese de que no haya fugas siguiendo las instrucciones de la sección "Detección de fugas".



Desconectar el tanque de gas PL

1. Asegúrese de que la perilla de control esté en la posición de "APAGADO" (Figura 3).
2. Antes de desconectar, asegúrese de que la válvula del tanque de gas propano líquido esté en la posición CLOSED (cerrada).
3. Desconecte el conjunto del regulador y manguera del tanque de gas propano líquido girando la perilla en sentido contrario a las manecillas del reloj hasta que esté floja.
4. Coloque la tapa protectora en el tanque de gas propano líquido y guarde el tanque en exteriores.



- ▲ **PRECAUCIÓN:** El tanque de gas propano líquido debe desconectarse debidamente y retirarse antes de mover la chimenea para exteriores.

4. Coloque la tapa protectora en el tanque de gas propano líquido y guarde el tanque en exteriores en un área con buena ventilación y protegido contra la luz solar directa.

Funcionamiento

- ▲ **ADVERTENCIA:** Antes de usar esta chimenea para exteriores, asegúrese

de leer y entender la siguiente información proporcionada en la

sección "Salvaguardias importantes" en la página 2. El incumplimiento de dichas instrucciones puede causar la muerte, lesiones graves o daños materiales.

- ▲ **ADVERTENCIA:** Si el quemador muestra señales evidentes de estar

dañado, debe reemplazarlo antes

de hacer funcionar la chimenea. El quemador de repuesto debe ser el que especifique el fabricante.

Conexiones del quemador

1. Asegúrese de conectar adecuadamente la válvula del regulador y su manguera al quemador y al tanque.
2. Si alguien armó la unidad para usted, verifique visualmente la conexión entre el tubo del quemador y el orificio.
3. Asegúrese de que el tubo del quemador encaja sobre el orificio.

- ▲ **ADVERTENCIA:** El no inspeccionar esta conexión o seguir debidamente

estas instrucciones puede causar

incendio o explosión ocasionando

muerte, graves lesiones o daños a la

propiedad.

Conexión de la línea de gas y del tanque

1. Prepare unos 80 ml de solución para comprobar si hay fugas mezclando una parte de jabón líquido para lavar platos y tres partes de agua.
2. Asegúrese de que las perillas de control están en la posición "APAGADO". Vea la Figura 3.

Conecte el tanque de gas propano líquido

siguiendo las instrucciones descritas en la

sección "Instalar el tanque de gas propano

líquido".

Coloque la válvula del tanque de gas propano

líquido en la posición "OPEN" (abierto).

Aplique con una cuchara varas gotas de la

solución, o use un frasco rociador, en todas las

ubicaciones marcadas con "X" (vea Figuras 1, y 2).

a. Si en cualquier punto aparecen burbujas,

cierra el gas girando la válvula del tanque de

propano a la posición "CLOSED" (cerrado),

vuelva a conectar y verifique nuevamente.

b. Si las burbujas continúan apareciendo

después de varios ensayos, cierre el gas

girando la válvula del tanque de propano a

la posición "CLOSED" (cerrado), desconecte

el tanque de propano de acuerdo con

las instrucciones descritas en la sección

"Desconectar el tanque de gas propano líquido" y llame al teléfono 1.888.398.8643 para obtener ayuda.

Encendido

- ▲ **PELIGRO:** El incumplimiento de estas instrucciones de encendido puede causar lesiones personales graves o la muerte, así como también un

incendio o explosión con daños materiales.

ADVERTENCIA: NUNCA encienda el quemador con la cubierta de la

chimenea para exteriores puesta.

PRECAUCIÓN: Mantenga el área de la chimenea para exteriores limpia

y libre de materiales combustibles, gasolina y otros líquidos y vapores

inflamables.

PRECAUCIÓN: No obstruya el flujo de ventilación y combustión. Revise y limpie el quemador/tubos venturi para

eliminar los insectos y nidos de insectos. Un tubo obstruido puede causar un incendio.

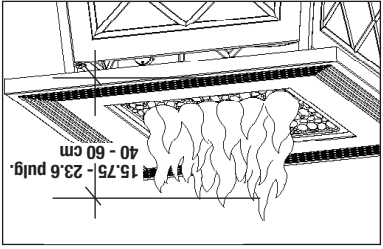


Figura 5

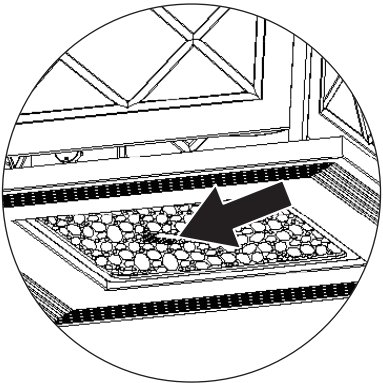


Figura 4

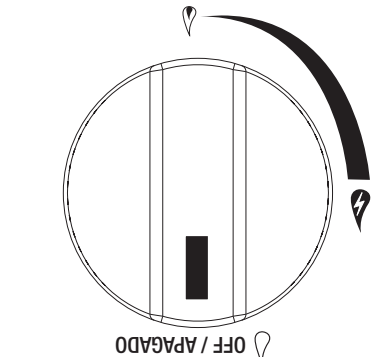


Figura 3

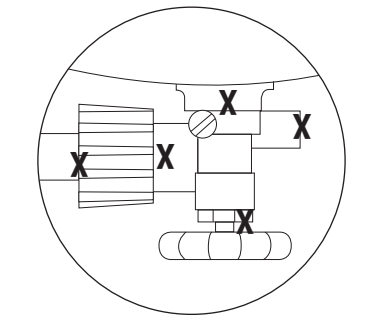


Figura 2

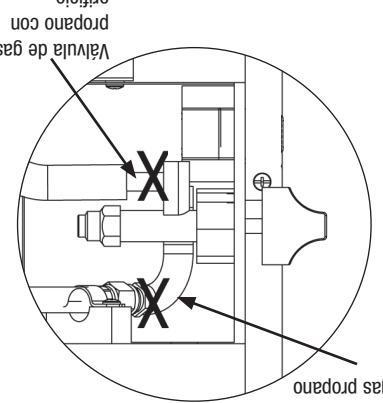
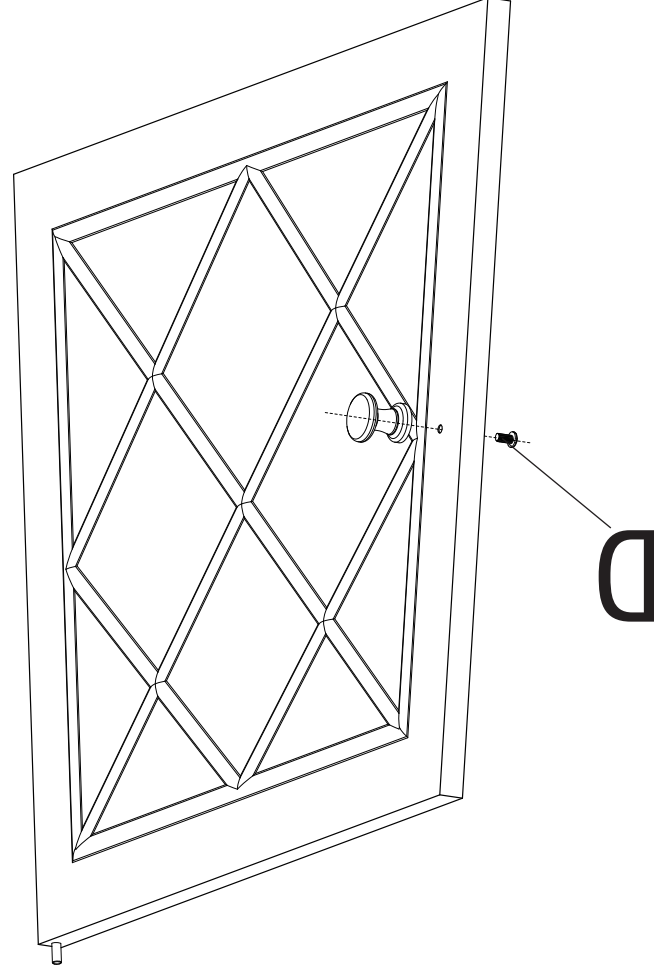


Figura 1

Instrucciones de armado (continuación)

5

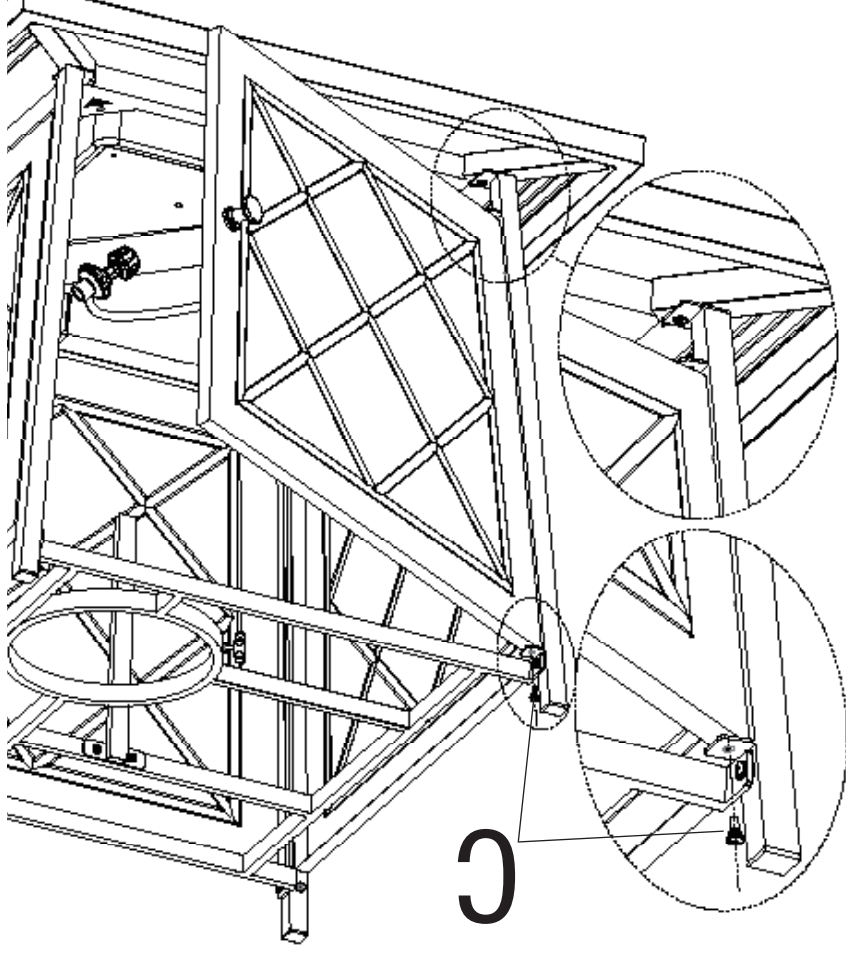
Instale la Perilla a la puerta



D X 1

6

Instale la puerta y voltee la chimenea para exteriores
▲ PRECAUCIÓN: Se necesitarán dos (2) personas para volver a
colocar la chimenea para exteriores sobre sus patas.



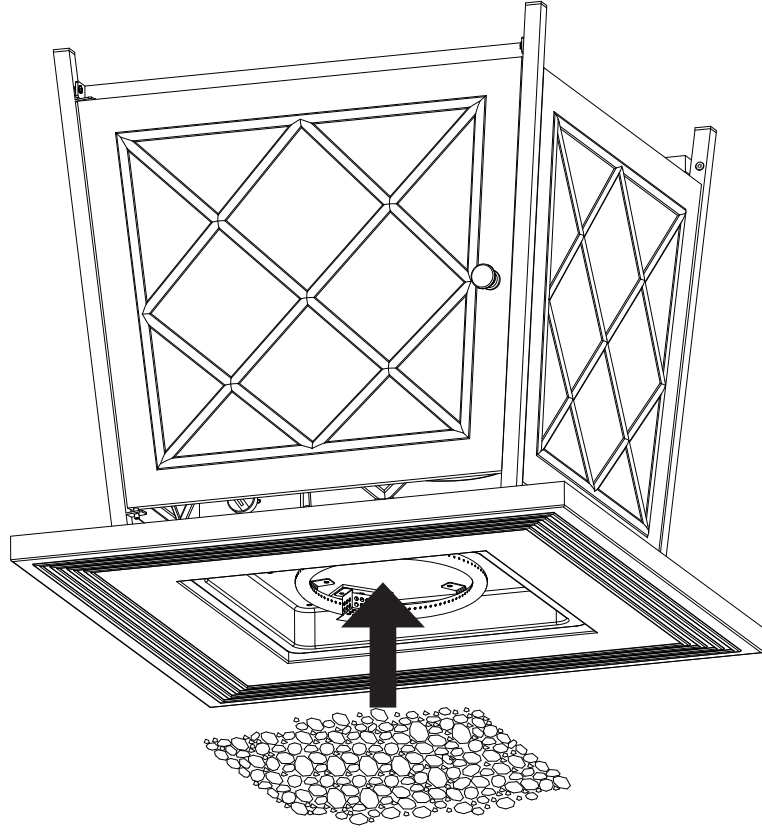
C X 1

7

Coloque las piedras de lava

- ▲ PRECAUCIÓN: No eche las rocas de lava directamente del paquete. Coloque cuidadosamente las rocas de lava manualmente de modo que el polvo no obstruya el quemador.
- ▲ PRECAUCIÓN: Use únicamente rocas de vidrio autorizadas de fábrica de Mr. Bar-B-Q Products LLC. El uso de rocas de vidrio no autorizadas por la fábrica puede ser peligroso. Su uso invalidará su garantía.
- ▲ PRECAUCIÓN: No cubra la cubierta del encendedor.

Nota: Las rocas de lava deben tener una longitud de 0,8 a 2,0 pulg. (2 - 5 cm). Se necesitarán aproximadamente 5,07 libras (2,3 kg) de rocas de lava.



8

IMPORTANTE ANTES DE USARLAS
CÓMO PREPARAR LAS PIEDRAS DE LAVA

1. Coloque las piedras de lava en el recipiente de la chimenea antes de encenderla chimenea.
2. Siga las instrucciones de encendido del manual del propietario para encender la chimenea.
3. Encienda la chimenea al nivel más alto de calor.
4. Deje que las piedras de lava se calienten a la temperatura máxima durante 30 minutos antes de disfrutar de la chimenea.
5. Mantenga a las personas y cualquier material que pueda quemarse por lo menos a 15 pies de distancia de la chimenea mientras las piedras de lava están preparándose.
6. Repita el proceso si la chimenea ha estado expuesta a la lluvia o humedad.
7. Mantenga la chimenea cubierta con una funda cuando no la use.

? Necesita ayuda? Llame al 1.888.398.8643. No vuelva al lugar de compra.

Para piezas de repuesto 1.888.398.8643

Instrucciones de armado

NO DEVUELVA EL PRODUCTO AL LUGAR DE COMPRA. Si necesita ayuda llame, sin cargo, al 1.888.398.8643. Por favor tenga a mano su manual y el modelo número de la unidad, para referencia.

Note: The model number is printed on a label which can be found on the inside door, back or side of the base assembly.

Para facilitar el armado:

1. Elija el lugar en el que armará este producto. Para proteger los componentes, elija una superficie lisa, sin fisuras ni hendijas.
2. Presente todas las piezas.
3. Ajuste todas las conexiones de los elementos de ferretería, primero en forma manual. Luego, después de completar cada paso, ajústelos por completo. Tenga cuidado de no ajustar demasiado. Se podrían dañar las superficies o forzar las roscas.
4. Para obtener mejores resultados, siga todos los pasos en el orden indicado.

Para terminar el armado de la unidad necesitará:

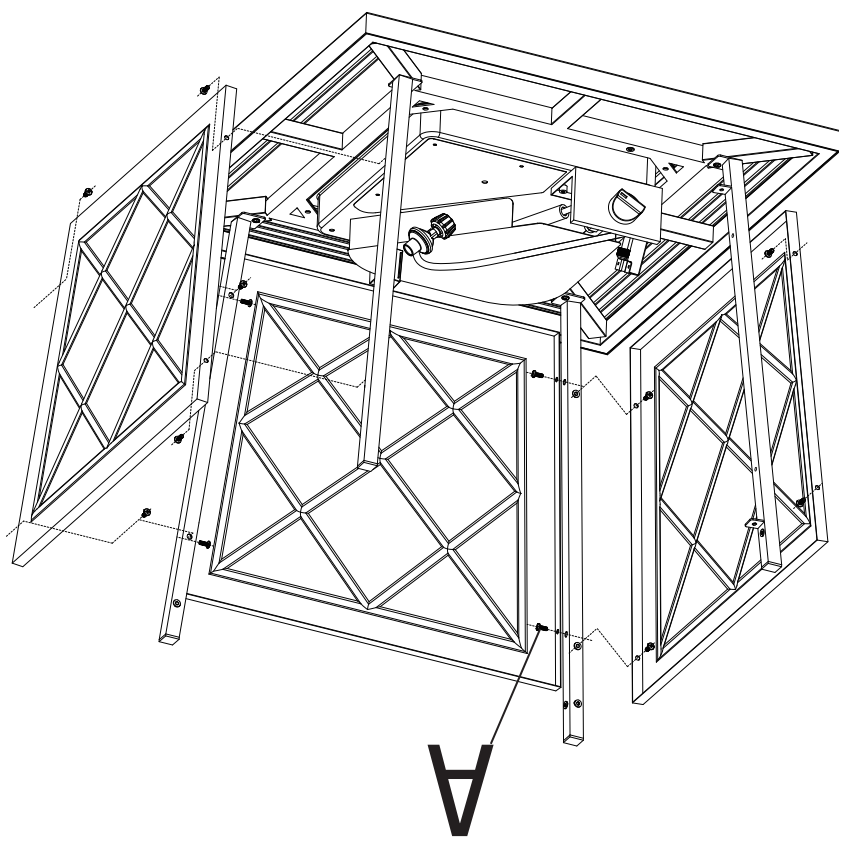
- una (1) solución para detección de fugas. Las instrucciones sobre cómo preparar esta solución se encuentran en la sección "Instrucciones de operación".
- un (1) tanque de gas propano líquido, para Parrilla, llenado con precisión y con rosca externa Acme Tipo 1 para conexión de válvula (non incluidas).

El tiempo promedio para armar es aproximadamente una hora.

▲ PRECAUCIÓN: Se necesitarán dos (2) personas para armar la unidad.

▲ ADVERTENCIA: El no colocar las piezas de acuerdo a estos diagramas o el no utilizar las piezas específicamente aprobadas para este artefacto, puede resultar en daños materiales o lesiones personales.

1



Nota: Coloque los tornillos inferiores antes de colocar los tornillos superiores. No apriete completamente los tornillos hasta llegar al paso 5.

3

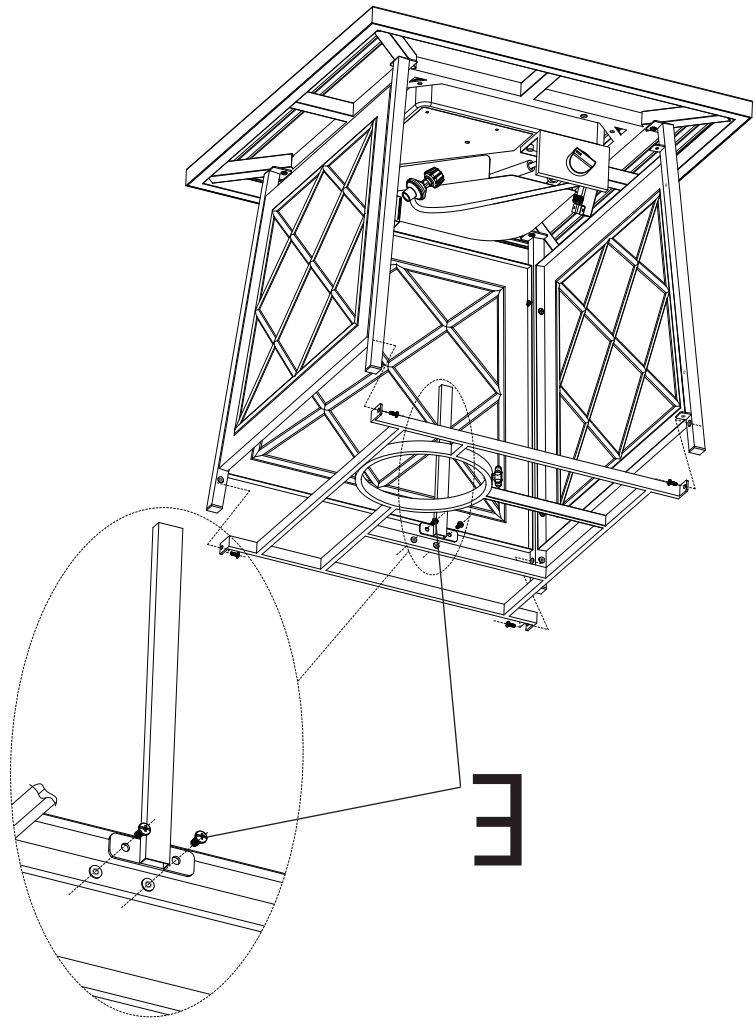
Instale los paneles lateral y trasero

A x 12

4

Instale la base

Nota: Apriete todos los tornillos mencionados en los pasos 2 a 4.



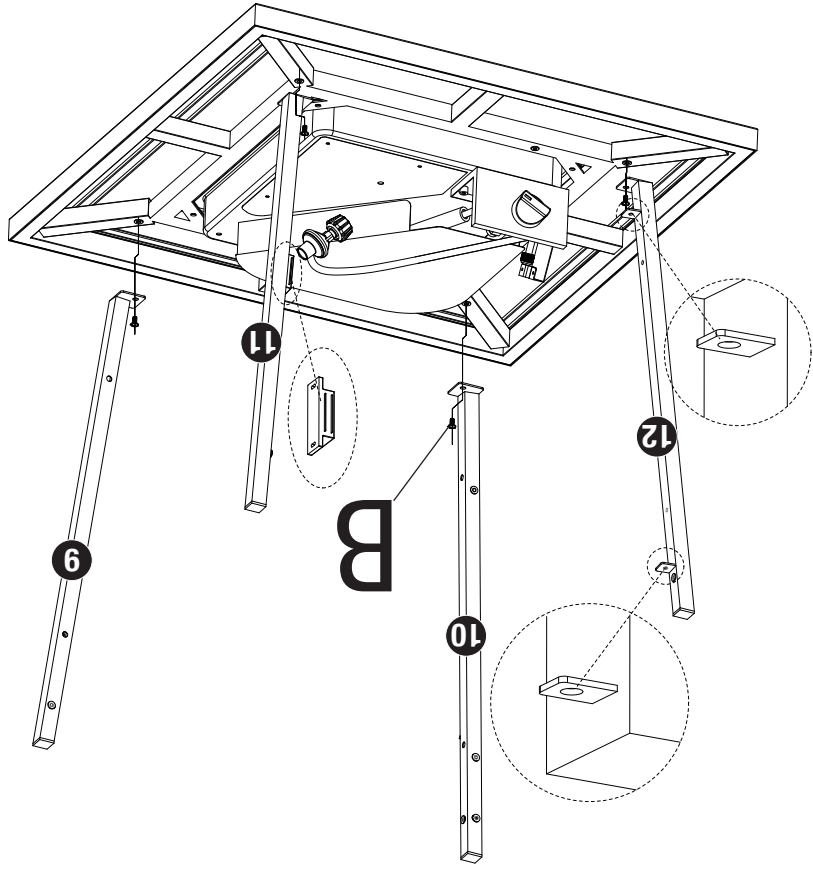
E x 6

2

Instale las patas

▲ PRECAUCIÓN: Se necesitarán dos (2) personas para voltear la chimenea para exteriores.
▲ PRECAUCIÓN: Para evitar rasguños, elija una superficie suave sin grietas ni rendijas.

Nota: No apriete completamente los tornillos hasta llegar al paso 5.



B x 4

Lista de piezas

Despícele

55-05-833 Piedras de lava

58-24-249 Conjunto del criso*

58-24-048 Tapa del encendedor*

58-24-049 Quemador*

58-23-753 Perilla de control*

58-23-922 Conjunto de manguera y regulador*

58-24-451 Repisa

58-24-452 Panel superior (3)

58-24-453 Pata A

58-24-454 Pata B

58-24-455 Pata C

58-24-456 Pata D

58-23-820 Imán *

58-24-448 Base

58-24-449 Barrier bar

58-23-149 Perno de retención del tanque de gas PL*

58-24-457 Puerta

58-24-255 Perilla de la puerta

58-24-498 Insertion de table

Piedras de vidrio (no se requieren y se venden por separado)

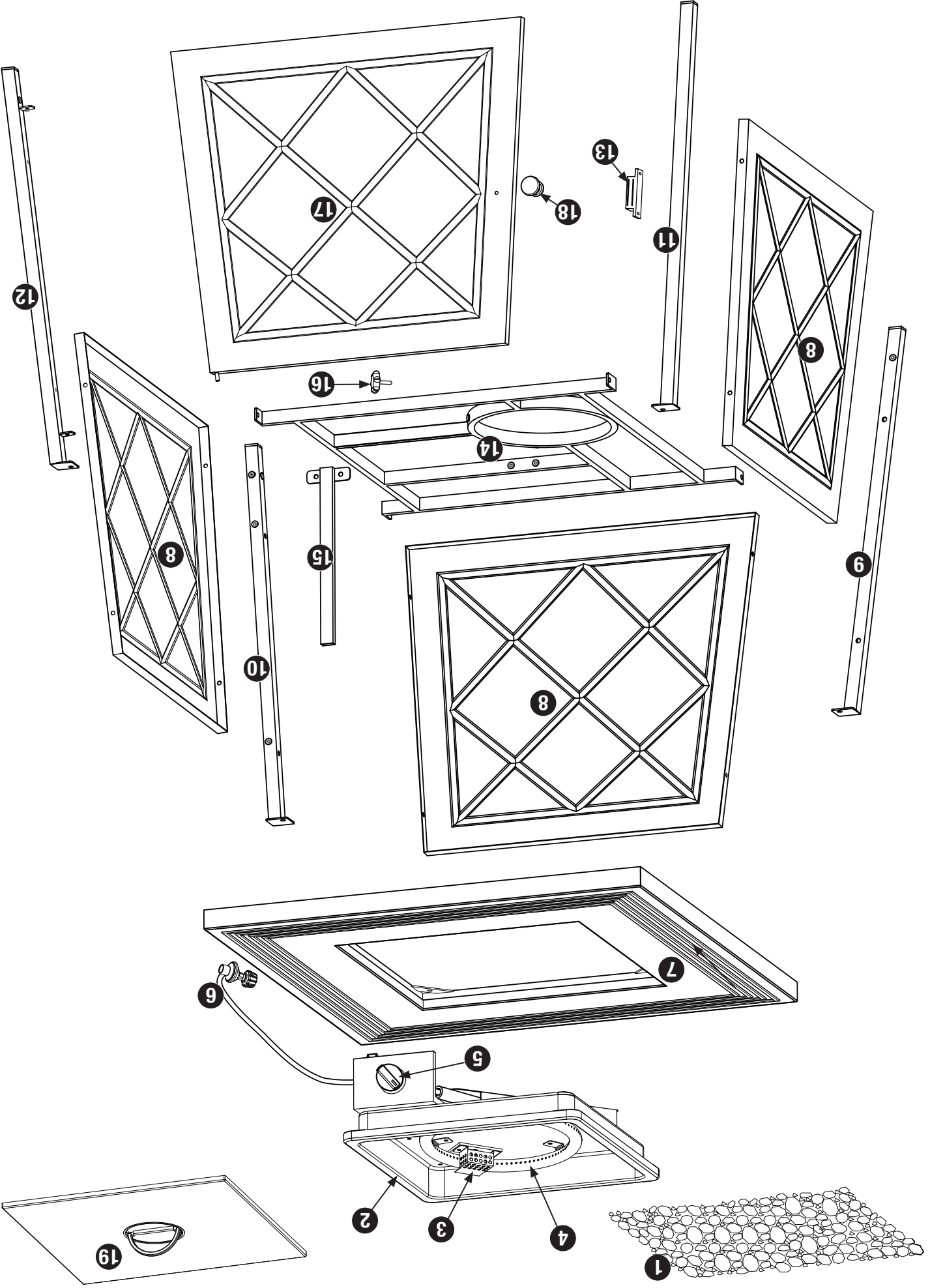
* Premontado

▲PRECAUCIÓN:** Use piedras de lava autorizadas por la fábrica de Mr. Bar-B-Q Products LLC, solamente. Usar piedras de lava no autorizadas por la fábrica puede ser peligroso y anulará su garantía.

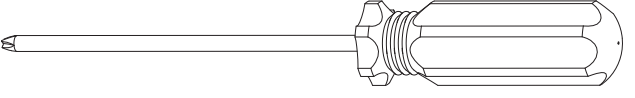
ADVERTENCIA

Cuando se calientan, las piedras de lava pueden reaccionar rompiéndose y lanzando fragmentos. Asegúrese de preparar las piedras de lava a altas temperaturas antes de usarlas para evitar lesiones o daños personales potenciales.

IMPORTANTE ANTES DE USARLAS COMO PREPARAR LAS PIEDRAS DE LAVA EN PÁGINA 7.



A	Tornillo	Tornillos niquelados negros de cabeza segmentada, M5x25	12 pcs
B	Tornillo	Tornillos niquelados negros de cabeza segmentada, M6x12	4 pcs
C	Tornillo	Tornillo niquelado negro de grada, M6X12	1 pc
D	Tornillo	Tornillos niquelados negros de cabeza segmentada, M4x10	1 pc
E	Tornillo	Tornillos niquelados negros de cabeza segmentada, M5x12	6 pcs



Destornillador en cruz (Phillips) no. 2

1 pz

Herramientas necesarias para el armado (non incluidas)

Paquete de hardware 58-24-543

? Necesita ayuda? Llame al 1.888.398.8643.

No vuelva al lugar de compra.

**Para piezas de repuesto
1.888.398.8643**

Salvaguardias importantes (continuación)

- ▲ NO quemar trozos de madera, briquetas de carbón de leña, carbón, leños de madera aglomerada, madera de deriva, basura, hojas, cartón o pedazos de madera terciada en la chimenea para exteriores.
- ▲ Es fundamental mantener limpio el compartimiento de la válvula de la chimenea, los quemadores y los conductos de aire circulante. Inspeccione la chimenea para exteriores antes de cada uso.
- ▲ NO utilice la chimenea para exteriores a menos que esté completamente montada y que todas las piezas estén bien fijadas y apretadas.
- ▲ NO use esta chimenea para exteriores cerca de automóviles, camiones, furgones o vehículos recreativos o de recreo.
- ▲ NO use esta chimenea para exteriores debajo de aleros o cerca de construcciones combustibles que no estén debidamente protegidas.
- ▲ Evite usar la chimenea para exteriores cerca o debajo de árboles y arbustos.
- ▲ Coloque siempre la chimenea para exteriores sobre superficies firmes y niveladas no combustibles tales como las de hormigón, ladrillo o roca. Una superficie de asfalto o de pavimento puede que no sea adecuada para este propósito.
- ▲ NO utilice esta chimenea para exteriores para cocinar.
- ▲ NO use esta unidad si alguna parte ha quedado bajo agua. Llame inmediatamente a un técnico de servicio calificado para que inspeccione la unidad y para que reemplace cualquier parte o sistema de control y cualquier control de gas que haya estado bajo agua.
- ▲ NO use ropa inflamable o floja cuando usa la chimenea para exteriores.
- ▲ NO utilice la chimenea si hace mucho viento.
- ▲ NO se apoye sobre la chimenea para exteriores cuando la está encendiendo o usando.
- ▲ NO use esta chimenea para exteriores a menos que el quemador esté seguro en su lugar.
- ▲ Mantenga todos los cables eléctricos lejos de una chimenea para exteriores caliente.
- ▲ Ciertas partes de esta chimenea para exteriores se calentarán demasiado, evite el contacto. NO toque las piezas de la chimenea para exteriores hasta que se hayan entrado completamente (alrededor de 45 minutos) para evitar quemaduras, a menos que usted tenga puestos elementos de protección tales como guantes o almohadilla para las ollas, guantes de barbacoa, etc.
- ▲ NO deje una chimenea para exteriores encendida sin vigilancia, especialmente, mantenga los niños y las mascotas lejos de la chimenea para exteriores en todo momento.
- ▲ Se debe informar a niños y adultos sobre los peligros de superficies calientes y deben mantenerse alejados para evitar quemaduras y el encendido de la ropa.
- ▲ Los niños pequeños deben ser vigilados constantemente cuando estén cerca a la unidad.
- ▲ NO cuelgue ni coloque ropa ni otros materiales inflamables sobre ni cerca de esta unidad.
- ▲ Cualquier guarda u otro equipo protector que se haya retirado para realizar el servicio de mantenimiento de la unidad deberá volverse a colocar en su lugar antes de poner en funcionamiento la unidad.
- ▲ Si corresponde, la cubierta protectora debe retirarse cuando el quemador esté funcionando.
- ▲ NO intente mover la chimenea para exteriores mientras esté encendida. Deje que la chimenea para exteriores se enfríe antes de moverla o guardarla.
- ▲ Esta chimenea para exteriores debe limpiarse y verificarse completamente de manera regular. Limpie y revise la manguera antes de cada uso del aparato. Si detecta alguna señal de abrasión, desgaste, cortes o fugas, deberá sustituir la manguera antes poner en marcha el aparato.
- ▲ Esta chimenea para exteriores debe ser inspeccionada por lo menos una vez al año por una persona de servicio certificada. Según el uso, es posible que se requiera una limpieza más frecuente. NO haga funcionar la unidad hasta que todas las piezas hayan sido reparadas o reemplazadas.
- ▲ Use únicamente el regulador y la manguera suministrados. Use únicamente el regulador y la manguera de repuesto especificados por Mr. Bar-B-Q Products LLC.
- ▲ Use únicamente piezas autorizadas de fábrica de Mr. Bar-B-Q Products LLC. El uso de cualquier pieza no autorizada de fábrica puede ser peligroso. Su uso invalidará su garantía.
- ▲ Use piedras de vidrio y piedras de lava autorizadas por la fábrica de Mr. Bar-B-Q Products LLC, solamente. Usar piedras de vidrio o piedras de lava no autorizadas por la fábrica puede ser peligroso y anulará su garantía.
- ▲ NO encienda esta unidad sin haber leído las "Instrucciones de operación" que se encuentran en este manual.
- ▲ El almacenamiento en interiores de esta chimenea para exteriores sólo está permitido si el tanque está desconectado, desmontado del aparato y guardado como es debido al aire libre.
- ▲ NO trate de desconectar el regulador de gas del tanque, o cualquier otro accesorio de la línea de gas, mientras esté usando la chimenea para exteriores.
- ▲ Si la chimenea para exteriores no está en uso, debe apagarse el gas en el tanque de suministro.
- ▲ PRECAUCIÓN: Debe usarse el regulador de presión proporcionado con este equipo. Este regulador está fijado para una presión de salida de columna de agua de 11 pulgadas (28 cm).
- ▲ La presión mínima de suministro de gas para esta chimenea para exteriores es de 11 pulgadas de columna de agua, para propósito de ajuste de la entrada.
- ▲ La máxima presión de gas de entrada de esta chimenea para exteriores es una columna de agua de 11 pulgadas (28 cm).
- ▲ Antes de probar la presión, cierre la válvula del tanque de gas propano líquido y desconecte el regulador de gas. El sistema de tubería del suministro de gas debe probarse a una presión igual o menor de ½ psi (3.5 kPa).
- ▲ NO se siente ni se pare sobre la chimenea ni sobre ninguna parte de esta unidad.
- ▲ NO arroje nada al fuego cuando la unidad esté funcionando.
- ▲ Las piedras de vidrio y lava se calientan mucho. Por lo tanto, mantenga a los niños y las mascotas a una distancia segura del artefacto.
- ▲ Cuando se calienta, el vidrio de fuego o la roca de lava puede estallar. La abertura del collar del tanque debe orientarse hacia el lado de la puerta para facilitar el acceso.
- ▲ NO guarde materiales combustibles en el compartimiento de la base.
- ▲ Por favor, use guantes de protección cuando esté armando este producto.
- ▲ No trate de forzar las piezas juntas pues esto puede ocasionar lesiones o dañar el producto.
- ▲ El no seguir exactamente las instrucciones dadas arriba puede producir daños a la propiedad, lesiones serias y hasta fatales.

▲ PELIGRO: El no seguir los avisos de peligro, las advertencias y las precauciones, puede ocasionar un incendio o una explosión, con sus consecuentes daños a la propiedad, lesiones personales y hasta accidentes fatales.

▲ ADVERTENCIAS :

- ▲ NO use esta chimenea para exteriores sin haber leído el manual del usuario en su totalidad.
- ▲ Este artefacto es para ser usado al aire libre únicamente y NO debe usarse dentro de un edificio, garaje o cualquier otra área cerrada.
- ▲ NO opere, encienda o use esta unidad a menos de diez (10) pies (3,05 m) de paredes, estructuras o edificaciones.
- ▲ Para uso residencial únicamente. Esta chimenea para exteriores NO ha sido diseñada para uso comercial.
- ▲ Esta chimenea para exteriores NO ha sido diseñada como calentador y nunca se la debe utilizar como tal. Gases TÓXICOS pueden acumularse y provocar la asfixia.
- ▲ Esta chimenea para exteriores cuenta con certificación de seguridad para uso en los Estados Unidos y Canadá solamente. NO debe modificarse para uso en ningún otro lugar. La modificación resultará en un peligro de seguridad y anulará la garantía.
- ▲ Habitantes de apartamentos: Comuníquese con la administración para obtener los requisitos y los códigos de incendio para uso de una chimenea para exteriores a gas propano líquido en su complejo de apartamentos. Si está permitido su uso, coloque la unidad en exteriores, sobre el suelo con una distancia de diez (10) pies (3 m) de paredes o barandas. No debe usarse en balcones ni debajo de estos.
- ▲ Esta chimenea para exteriores utiliza únicamente gas de propano líquido como combustible. El convertir o tratar de convertir esta chimenea para exteriores de gas propano líquido para ser usada con gas natural es peligroso e invalidará la garantía de la unidad.
- ▲ Características del propano líquido (PL):
 - a. El propano es inflamable y resulta peligroso si se manipula inadecuadamente. Antes de utilizar cualquier producto que emplee propano líquido, estudie detenidamente sus características.
 - b. El gas de propano líquido es explosivo bajo presión, más denso que el aire, se asienta y se acumula a poca altura.
 - c. En su estado natural, el propano no tiene ningún olor. Para su seguridad, se añade una esencia odorífera que huele a col podrida.
 - d. El contacto directo con el propano líquido puede causar quemaduras frías en la piel.
- ▲ Únicamente tanques marcados “Propano” pueden usarse en esta unidad.
 - a. El tanque de gas propano líquido (PL) debe estar fabricado y comercializado según las *Especificaciones para tanques de gas PL del Departamento de Transporte (DOT) de EE.UU. o del Estándar nacional de Canadá, CAN/CSA-B339 sobre tanques, esteras y tubos para el transporte de mercancías peligrosas si aplicable.*
 - b. Verifique que el tanque de propano cuenta con mecanismo de extracción de vapor.
 - c. El tanque de gas propano líquido debe tener un dispositivo que evite el sobrellenado del tanque (OPD) y una conexión rápida o una conexión Tipo I (CGA810) para tanque de gas propano.
 - d. No utilice nunca un tanque de propano líquido si el cuerpo no tiene collar para proteger la válvula.
 - e. No utilice nunca un tanque de propano líquido si el cuerpo, la válvula, el collar o el anillo inferior presentan algún daño.
 - f. Los tanques de propano líquido abollados u oxidados pueden ser peligrosos y deberían ser revisados por su proveedor de gas PL antes de utilizarlos.
 - g. No deje caer el tanque de gas propano líquido ni la manija bruscamente.
 - h. Los tanques de propano deben almacenarse en exteriores, en un lugar al aire libre siempre fuera del alcance de los niños y nunca en un garaje, edificio o espacio cerrado. Nunca almacene tanques de gas en un lugar en el que la temperatura supere los 125°F (51,5°C).
 - i. NO inserte ninguna herramienta ni objeto extraño en la salida de la válvula ni en la válvula de seguridad. Podría dañar la válvula y causar una fuga. Una fuga de gas propano puede resultar en explosión, incendio, lesiones personales graves o la muerte.

- ▲ NO ponga nunca un tanque de gas propano lleno en un carro o camioneta calientes. El calor podría hacer que la presión del gas aumentase, lo que abriría la válvula de seguridad y haría que se escapase el gas.
- ▲ Ponga la tapa contra el polvo en la válvula de salida del tanque cuando no lo esté usando. Únicamente use la tapa contra el polvo que viene con la válvula del tanque. Otros tipos de tapones o tapas pueden crear fugas del propano.
- ▲ Nunca guarde un tanque adicional de propano debajo o cerca de esta chimenea para exteriores.
- ▲ Nunca llene el tanque más allá de 80% de su capacidad.
- ▲ n. El no seguir exactamente las instrucciones dadas arriba puede producir un incendio con daños a la propiedad, lesiones serias y hasta fatales.
- ▲ Todas las conexiones de gas de su chimenea para exteriores han sido verificadas en fábrica en cuanto a fugas de gas. Sin embargo, vuelva a probar la integridad de todas las conexiones como se indica en las “Instrucciones de operación” ya que el movimiento en transporte puede aflojar algunas de ellas.
- ▲ Verifique que no haya fugas aún si el aparato ha sido armado por otra persona.
- ▲ NO opere la unidad si hay una fuga de gas. Las fugas de gas pueden provocar un fuego o una explosión.
- ▲ Antes de operar esta unidad, debe observar todos los procedimientos para verificar que no hay fugas de gas. Para evitar cualquier riesgo de fuego o de explosión al comprobar si hay fugas:
 - a. Compruebe siempre si hay fugas antes de encender la chimenea para exteriores cada vez que el tanque de gas está conectado.
 - b. No fume. NO use o permita fuentes de ignición en el área al comprobar si hay fugas.
 - c. Siempre compruebe si hay fugas en exteriores donde hay una buena ventilación.
 - d. NO use cerillas, encendedores o una llama para comprobar si hay fugas.
- ▲ El uso de bebidas alcohólicas, medicamentos o drogas de farmacia puede afectar la habilidad del usuario para armar debidamente u operar en forma segura este artefacto.
- ▲ f. Los olores fuertes, los resfrios, la congestión de los senos nasales, etc. pueden evitar la detección del gas propano. Tenga cuidado y sentido común al hacer pruebas para detectar fugas.
- ▲ g. NO use la chimenea para exteriores hasta que todas las fugas hayan sido reparadas. Si no puede parar una fuga, desconecte el tanque de propano. Llame a un técnico de servicio de artefactos a gas o a su proveedor de propano local.
- ▲ NO guarde o use gasolina u otros líquidos o vapores inflamables a menos de 25 pies (7,6 m) de esta unidad.
- ▲ NO utilice este artefacto en una atmósfera explosiva. Mantenga la zona de la chimenea para exteriores libre de materiales combustibles, gasolina y cualquier otro vapor o líquido inflamable.
- ▲ Los niños NO deben usar esta chimenea para exteriores.
- ▲ NO instale o utilice esta chimenea para exteriores en embarcaciones o vehículos recreativos (RV).
- ▲ NO conecte esta unidad a un suministro de gas remoto.
- ▲ No intente nunca acoplar esta chimenea para exteriores al sistema de propano de un campero, de una casa móvil o de su propia casa.
- ▲ Observe siempre y use la unidad cumpliendo todos los códigos de incendio aplicables, locales y nacionales. Obtenga de su Departamento de Incendios local detalles en cuanto a quemas al aire libre.
- ▲ Al usar esta chimenea para exteriores, observe las mismas precauciones que merece cualquier fuego abierto.
- ▲ NO encienda esta chimenea para exteriores sin haber leído completamente todas las instrucciones de este manual del usuario.

¿Necesita ayuda? Llame al 1.888.398.8643.
No vuelva al lugar de compra.

Para piezas de repuesto
1.888.398.8643

PELIGRO • GAS INFLAMABLE BAJO PRESIÓN.
LAS FUGAS DE GAS PROPANO LÍQUIDO AL ENCENDERSE PUEDEN CAUSAR INCENDIO O EXPLOSIÓN LO CUAL PUEDE PRODUCIR LESIONES CORPORALES GRAVES O LA MUERTE.
COMUNÍQUESE CON EL PROVEEDOR DE GAS PROPANO LÍQUIDO SI NECESITA REPARACIONES O PARA DESECHAR ESTE CILINDRO O EL GAS PROPANO LÍQUIDO NO UTILIZADO.

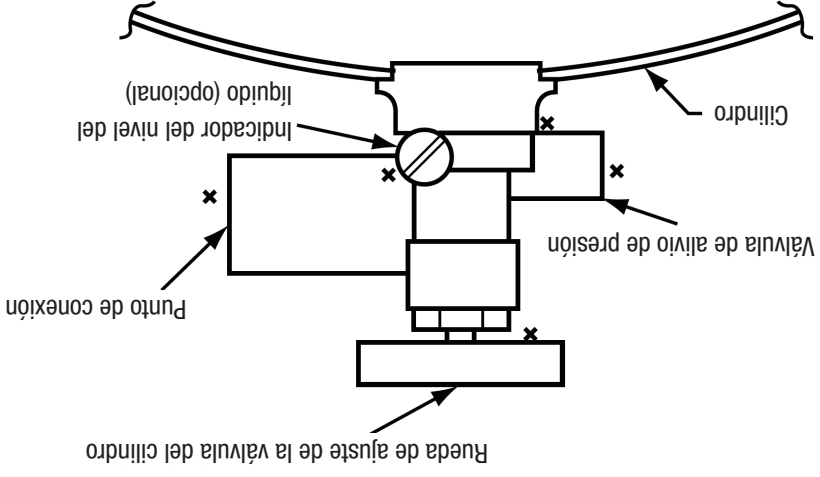
ADVERTENCIA

• PARA USO EN EXTERIORES SOLAMENTE.*
NO USE NI ALMACENE EL CILINDRO EN UN EDIFICIO, GARAJE NI ÁREA CERRADA.

ADVERTENCIA:

- Conozca el olor del gas propano líquido. Si escucha, ve o huele una fuga de gas propano líquido, aleje inmediatamente a todos del cilindro y llame al departamento de bomberos. No intente hacer reparaciones.
- Advértale al proveedor de gas propano líquido que se asegure de lo siguiente:
Se ha purgado el aire atrapado del cilindro antes de llenarlo por primera vez.
No llenar demasiado el cilindro.
Confirmar la fecha de recalificación del cilindro.

- El gas propano líquido es más pesado que el aire y puede asentarse en lugares bajos al dispersarse.
- El contacto con el contenido líquido del cilindro puede causar quemaduras por congelación en la piel
- No permita que los niños manipulen o jueguen con el cilindro.
- Cuando el cilindro no esté conectado para usarlo, mantenga la válvula cerrada. Los artefactos autónomos no deben utilizarse con un cilindro de más de 30 lbs de capacidad.
- No use, almacene ni transporte el cilindro si existe la posibilidad de que esté expuesto a altas temperatura. La válvula de alivio podría abrirse y dejar escapar una gran cantidad de gas inflamable.
- Al transportarlo, mantenga el cilindro asegurado en posición vertical con la válvula cerrada.

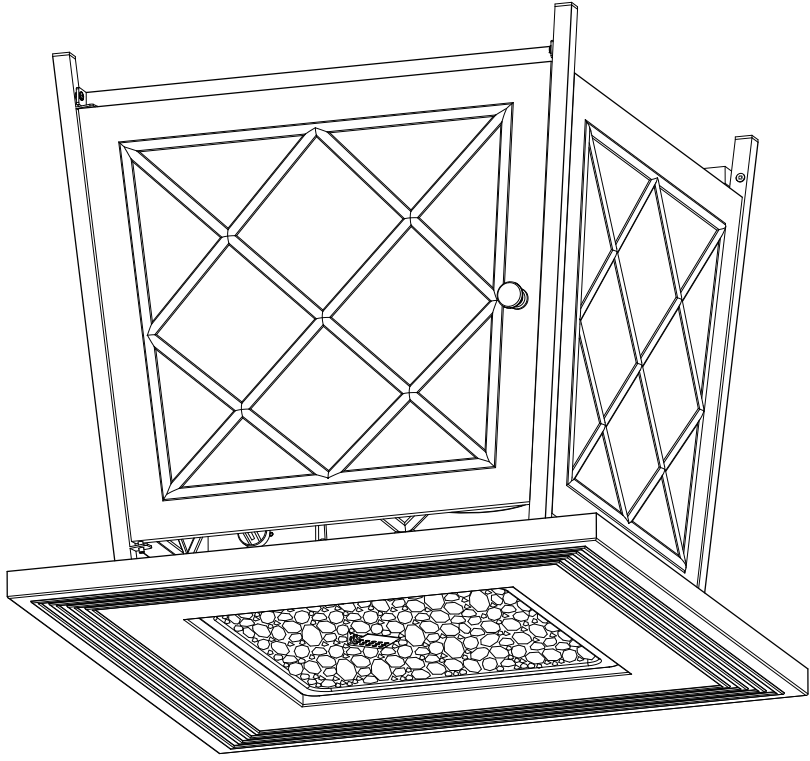


- AL CONECTAR EL CILINDRO PARA USARLO:
- Useo solamente en cumplimiento con los códigos aplicables.
 - Lea y siga las instrucciones del fabricante.
 - Consulte las instrucciones del fabricante respecto a la conexión del cilindro incluidas con el artefacto.
 - Asegúrese de que el conducto de aire del regulador no esté apuntando hacia arriba.
 - Cierre todas las válvulas del artefacto.
 - No revise si hay fugas de gas con un fósforo ni con fuego directo. Aplique agua jabonosa en las áreas marcadas con una "X". Abra la válvula del cilindro. Si aparecen burbujas, cierre la válvula y llame al técnico de servicio para que haga las reparaciones necesarias. También, revise las válvulas y conexiones del artefacto para asegurarse de que no haya fugas antes de encender el artefacto.
 - Encienda el artefacto o los artefactos siguiendo las instrucciones del fabricante.
 - Cuando el artefacto no esté en uso, mantenga la válvula del cilindro cerrada.

▲ NO RETIRE, MUTILE, NI DESTROYA ESTA ETIQUETA
***EXCEPTO SEGÚN LO AUTORIZADO POR LA NORMA ANSI/NFPA 58.**
PELIGRO. No guarde un cilindro de gas propano líquido de repuesto debajo ni cerca de una parrilla, ni ninguna otra fuente de calor. NUNCA llene el cilindro de gas propano líquido a más del 80% de su capacidad, ya que podría originar un incendio y causar la muerte o graves lesiones corporales.

Chimenea para exteriores a gas propano "Marcroft"

MODELO No: GAD1447M



PELIGRO



- Este producto puede producir monóxido de carbono, el cual no emite ningún olor.
- Usuario en espacios cerrados puede causar la muerte.
- Nunca use este producto en un espacio cerrado tal como un campero, una carpa o en su casa.

PELIGRO DE MONÓXIDO DE CARBONO

ADVERTENCIA

SOLAMENTE PARA USO EN EXTERIORES.

- ▲ La instalación y el servicio debe realizarla un instalador, agencia de servicio o proveedor de gas calificado.

ADVERTENCIA

PARA SU SEGURIDAD:

- ▲ Si no se siguen exactamente las instrucciones descritas en este manual, puede causarse un incendio o explosión, así como daños materiales, lesiones personales o la muerte.
- ▲ QUE HACER SI SIENTE OLOR A GAS:
 - No trate de encender ningún artefacto.
 - No toque ningún interruptor eléctrico; no use el teléfono en su edificio.
 - Inmediatamente llame a su proveedor de gas desde el teléfono de un vecino.
 - Siga las instrucciones del proveedor de gas a los bomberos.
 - No usar para cocinar.

ADVERTENCIA

PARA SU SEGURIDAD:

- ▲ **INSTALADOR:** Deje este manual en el artefacto.
- ▲ **USUARIO:** Guarde este manual para referencia futura.

ADVERTENCIA

PARA SU SEGURIDAD:

- ▲ Una instalación, ajuste, alteración, reparación o mantenimiento inadecuados pueden causar lesiones o daños a la propiedad.
- ▲ Lea atentamente las instrucciones de instalación, funcionamiento y mantenimiento del equipo antes de instalarlo, ponerlo en marcha o darle servicio.

PELIGRO

PELIGRO DE INCENDIO O EXPLOSIÓN

Si huele a gas:

- Cierre la entrada de gas al aparato.
- Apague cualquier llama activa.
- Si el olor persiste, aléjese de la zona inmediatamente.
- Después de dejar la zona, llame a su proveedor de gas o al departamento de bomberos.

El incumplimiento de estas instrucciones podría resultar en un incendio o una explosión, lo cual podría causar daños materiales, lesiones personales o la muerte.

ADVERTENCIA

PARA SU SEGURIDAD:

1. No almacene ni utilice gasolina ni otros vapores o líquidos inflamables en las proximidades de este o cualquier otro artefacto.
2. Un cilindro de gas propano líquido que no esté conectado no deberá almacenarse alrededor de este ni de ningún otro artefacto.

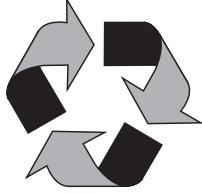
PELIGRO

Nunca deje este artefacto encendido sin vigilancia.



Fabricado en China para: Mr. Bar-B-Q Products LLC
 10 Hub Dr., Ste 101, Melville, NY 11747 EE.UU. • 1.888.398.8643 • MrBarBQProducts.com
 © Mr. Bar-B-Q Products LLC
 Fire Island™ es una marca registrada de Mr. Bar-B-Q Products LLC.

Hecho con 75% de bagazo de caña (subproducto de la caña de azúcar respetuoso del medio ambiente)
 GAD1447M-ES-0M-F100



www.P65Warnings.ca.gov

las manos después de manipular este producto. Para obtener más información, visite

como causantes de cáncer, defectos de nacimiento y otros daños al sistema reproductivo. **Lávase** de carbono, hollín, plomo y los componentes del plomo, considerados por el estado de California

ESTE MANUAL DE INSTRUCCIONES CONTIENE INFORMACIÓN IMPORTANTE SOBRE LA SEGURIDAD.

CAN/CGA-B149.1 (código de instalación para artefactos y equipos que funcionan con gas propano).

tierra. En Canadá, la instalación de este artefacto debe cumplir con los códigos locales y/o el estándar

necesariamente con los códigos de instalación de Canadá, particularmente en cuanto a tuberías sobre y bajo

Para la instalación en Canadá: Estas instrucciones, si bien son generalmente aceptables, no cumplen

Nacional, ANS/NFPA 70, si corresponde.

conformidad con los códigos locales o en ausencia de los códigos locales, el *Código Eléctrico*

de Gas Combustible, ANS Z223.1/NFPA 54 o *International Fuel Gas Code (Código Internacional*

existen códigos locales, use las normas siguientes: *National Fuel Gas Code (Código Nacional*

El uso e instalación de este producto ha de realizarse de acuerdo con los códigos locales. Si no

Salvaguardias importantes.Página 2

Despice y elementos de ferretería.5

Instrucciones de armado.6

Instalación del tanque de gas propano líquido (PL).8

Instrucciones de operación.9

Limpieza y cuidado.10

Registro del producto.10

Piezas de repuesto.11

Garantía limitada.11

Resolución de problemas.12

Índice