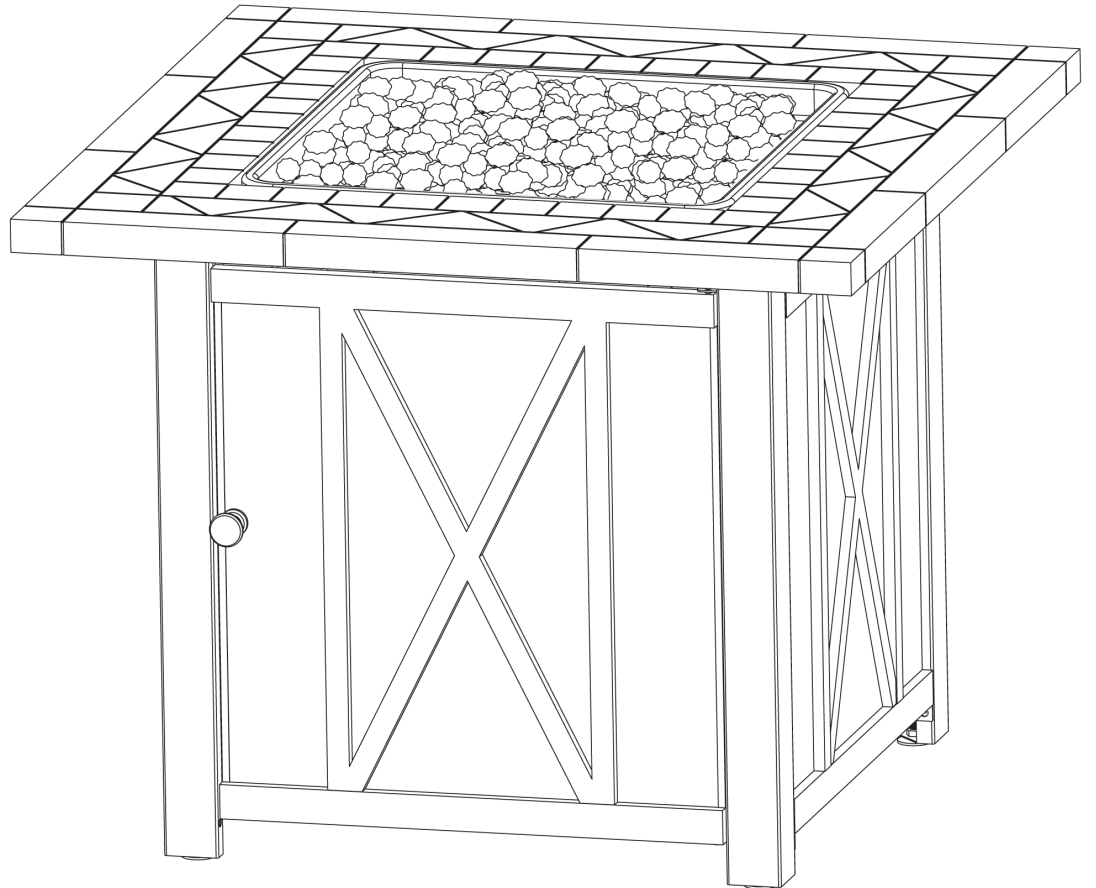


OWNER'S MANUAL

LP Gas Outdoor Fireplace

Model No. GAD1417SP



WARNING
FOR YOUR SAFETY:
For Outdoor Use Only (outside any enclosure)
Do Not Use For Cooking.

WARNING
FOR YOUR SAFETY:

- ▲ If the information in this manual is not followed exactly, a fire or explosion may result causing property damage, personal injury or loss of life.
- ▲ WHAT TO DO IF YOU SMELL GAS:
 - Do NOT try lighting any appliance.
 - Do NOT touch any electrical switch; do NOT use any phone in your building.
 - Immediately call your gas supplier from a neighbor's phone.
 - Follow the gas supplier's instructions.
 - If you cannot reach your gas supplier, call the fire department.
- ▲ Installation and service must be performed by a qualified installer, service agency or gas supplier.
- ▲ Save these instructions for future reference.
- ▲ If you are assembling this unit for someone else, give this manual to him or her to read and save for future reference.

WARNING
FOR YOUR SAFETY:

- ▲ Improper installation, adjustment, alteration, service or maintenance can cause injury or property damage.
- ▲ Read the installation, operation and maintenance instructions thoroughly before installing or servicing this equipment.

DANGER

If you smell gas:

1. Shut off gas to appliance.
2. Extinguish any open flame.
3. If odor continues, keep away from the appliance and immediately call your gas supplier or your fire department.

WARNING
FOR YOUR SAFETY:

1. Do NOT store or use gasoline or other flammable vapors or liquids in the vicinity of this or any other appliance.
2. An LP-cylinder not connected for use shall not be stored in the vicinity of this or any other appliance.

DANGER

Do NOT leave this appliance unattended while it is in operation.

DANGER

CARBON MONOXIDE HAZARD

- This appliance can produce carbon monoxide which has no odor.
- Using it in an enclosed space can kill you.
- Never use this appliance in an enclosed space such as a camper, tent, car or home.

Table of Contents

Important Safeguards	Page 2
Expanded View and Hardware	4
Assembly Instructions	5
Installing LP Gas Tank	7
Operating Instructions	7
Cleaning and Care	8
Product Registration	8
Replacement Parts	8
Limited Warranty	8
Troubleshooting	9

The use and installation of this product must conform to local codes. In absence of local codes, use the latest edition of the *National Fuel Gas Code, ANSI Z223.1/NFPA 54*, or *International Fuel Gas Code*. This appliance, when installed, must be electrically grounded in accordance with local codes, or in the absence of local codes with the *National Electrical Code, ANSI/NFPA 70*, if applicable.

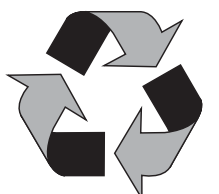
THIS INSTRUCTION BOOKLET CONTAINS IMPORTANT SAFETY INFORMATION. PLEASE READ AND KEEP FOR FUTURE REFERENCE.

If you are assembling this unit for someone else, give this manual to him or her to read and save for future reference.

California Proposition 65: Combustion by-products produced when using this product contain chemicals known to the State of California to cause cancer, birth defects, and other reproductive harm.

California Proposition 65: Wash your hands after handling this product.

California Proposition 65: Handling the brass material on this product exposes you to lead, a chemical known to the State of California to cause cancer, birth defects, or other reproductive harm.



Made from 75% Bagasse
(environmentally friendly sugar
cane pulp by-product)

Important Safeguards

- ▲ DANGER:** Failure to follow the dangers, warnings and cautions in this manual may result in serious bodily injury or death, or in a fire or an explosion causing damage to property.
-
- ▲ WARNINGS:**
- ▲ This appliance is for outdoor use only, and should NOT be used in a building, garage or any other enclosed area.
 - ▲ Do NOT operate, light or use this appliance within ten feet (3.05 m) of walls, structures or buildings.
 - ▲ For residential use only. This outdoor fireplace is NOT for commercial use.
 - ▲ Do NOT use this outdoor fireplace for indoor heating. TOXIC carbon monoxide fumes can accumulate and cause asphyxiation.
 - ▲ This outdoor fireplace is safety certified for use in the United States and/or Canada only. Do NOT modify for use in any other location. Modification will result in a safety hazard and will void your warranty.
 - ▲ Apartment dwellers: Check with management to learn the requirements and fire codes for using a liquid propane (LP) gas outdoor fireplace in your apartment complex. If allowed, use outside on the ground floor with a ten foot (3.05 m) clearance from any structure. Do NOT use on or under balconies.
 - ▲ This outdoor fireplace, from the factory, is for use with LP gas only. The conversion to or attempted use of natural gas in this outdoor fireplace is dangerous, may cause bodily harm and will void your warranty.
 - ▲ LP gas characteristics:
 - a. LP gas is flammable and hazardous if handled improperly. Become aware of the characteristics before using any LP gas product.
 - b. LP gas is explosive under pressure, heavier than air, and settles/pools in low areas.
 - c. LP gas in its natural state has no odor. For your safety, an odorant is added that smells like rotten cabbage.
 - d. Contact with LP gas can cause freeze burns to skin.
 - ▲ LP gas tank needed to operate. Only tanks marked "propane" may be used.
 - a. The LP gas cylinder must be constructed and marked in accordance with the *U.S. Department of Transportation (D.O.T.) Specifications for LP-Gas Cylinders*, or the *Standard for Cylinders, Spheres and Tubes for the Transportation of Dangerous Goods and Commission, CAN/CSA-B339* as applicable.
 - b. LP gas tank must be arranged for vapor withdrawal.
 - c. The LP gas tank must have a listed overfilling prevention device (OPD) and a QCCI or Type I (CGA810) LP gas tank connection.
 - d. The LP gas tank must have a tank collar to protect the tank valve.
 - e. Never use an LP gas tank with a damaged body, valve, collar or footing.
 - f. Dented or rusted LP gas tanks may be hazardous and should be checked by your LP gas supplier prior to use.
 - g. The LP gas tank should not be dropped or handled roughly.
 - h. Tanks must be stored outdoors, out of the reach of children and must not be stored in a building, garage or any other enclosed area. Your LP gas tank must never be stored where temperatures can reach over 125°F.
 - i. Do NOT insert any tool or foreign object into the valve outlet or safety relief valve. You may damage the valve and cause a leak. Leaking propane may result in explosion, fire, severe personal injury or death.
 - j. Never keep an LP gas tank in a hot car or trunk. Heat will cause the gas pressure to increase, which may open the relief valve and allow gas to escape.
 - k. Place dust cap on cylinder valve outlet whenever the cylinder is not in use. Only install the type of dust cap on the cylinder valve outlet that is provided with the cylinder valve. Other types of caps or plugs may result in leakage of propane.
 - l. Do NOT store a spare LP gas tank under or near this appliance.
 - m. Never fill the cylinder beyond 80 percent full.
 - n. A fire causing serious injury or damage to property may occur if the above is not followed exactly.
 - ▲ Your outdoor fireplace has been checked at all factory connections for leaks. Recheck all connections as described in the "Operating Instructions" section, as shipping can loosen connections.
 - ▲ Check for leaks even if your unit was assembled for you by someone else.
 - ▲ Do NOT operate if a gas leak is present. Gas leaks may cause a fire or explosion.
 - ▲ You must follow all instructions in the "Checking for Leaks" section before operating. To prevent a fire or explosion when testing for a leak:
 - a. Always perform a leak test before lighting this outdoor fireplace and each time the tank is connected for use.
 - b. No smoking. Do NOT use or permit sources of ignition in the area while conducting a leak test.
 - c. Conduct the leak test outdoors in a well-ventilated area.
 - d. Do NOT use matches, lighters or a flame to check for leaks.
 - e. The use of alcohol, prescription or non-prescription drugs may impair the consumer's ability to properly assemble or safely operate the appliance.
 - f. Strong odors, colds, sinus congestion, etc. may prevent the detection of propane. Use caution and common sense when testing for leaks.
 - g. Do NOT use this outdoor fireplace until any and all leaks are corrected.
If you are unable to stop a leak, disconnect the LP gas supply. Call a gas appliance serviceman or your local LP gas supplier.
 - ▲ Do NOT store or use gasoline or other flammable liquids or vapors within 25 feet (7.62 m) of this appliance.
 - ▲ Do NOT use in an explosive atmosphere. Keep outdoor fireplace area clear and free from combustible materials, gasoline and other flammable vapors and liquids.
 - ▲ This outdoor fireplace is NOT to be operated by children.
 - ▲ This outdoor fireplace is NOT to be used in or on boats or recreational vehicles.
 - ▲ Do NOT connect to a remote gas supply.
 - ▲ Never attempt to attach this outdoor fireplace to the self-contained LP gas system of a camper trailer, motor home or house.
 - ▲ Always use in accordance with all applicable local, state and national codes. Contact your local fire department for details on outdoor burning.
 - ▲ When using this outdoor fireplace, exercise the same precautions you would with any open fire.
 - ▲ Do NOT use this outdoor fireplace without reading the entire Owner's Manual.
 - ▲ Do NOT burn solid fuels such as: wood, charcoal briquettes, lump charcoal, manufactured logs, driftwood, trash, leaves, paper, cardboard, plywood, painted/stained/pressure treated wood in this outdoor fireplace.
 - ▲ It is essential to keep the outdoor fireplace's valve compartment, burners, and circulating air passages clean. Inspect outdoor fireplace before each use.
 - ▲ Do NOT use this outdoor fireplace until it is COMPLETELY assembled and all parts are securely fastened and tightened.
 - ▲ Do NOT use this outdoor fireplace near automobiles, trucks, vans or recreational vehicles.
 - ▲ Do NOT use this outdoor fireplace under any overhang or near any unprotected combustible constructions. Avoid using near or under overhanging trees and shrubs.
 - ▲ Always use this outdoor fireplace on a hard, level, non-combustible surface such as concrete, rock or stone. An asphalt or blacktop surface may not be acceptable for this purpose.
 - ▲ Do NOT use this outdoor fireplace for cooking.

- ▲ Do NOT use this appliance if any part has been under water. Immediately call a qualified service technician to inspect the appliance and to replace any part or control system and any gas control which has been under water.
- ▲ Do NOT wear flammable or loose clothing when operating this outdoor fireplace.
- ▲ Do NOT use in windy conditions.
- ▲ Never lean over this outdoor fireplace when lighting or when in use.
- ▲ Do NOT use this outdoor fireplace unless burner is securely in place.
- ▲ Keep all electrical cords away from this outdoor fireplace during use.
- ▲ Certain areas of this outdoor fireplace when in use will become too hot to touch. To avoid burns, do NOT touch hot surfaces until the unit has completely cooled (about 45 minutes), unless you are wearing protective gear (such as insulated pot holders or heat-resistant gloves/mittens).
- ▲ Do NOT leave a lit outdoor fireplace unattended, especially around children and pets.
- ▲ Children and adults should be alerted to the hazards of high surface temperatures and should stay away to avoid burns or clothing ignition.
- ▲ Young children should be carefully supervised when they are in the area of the appliance.
- ▲ Do NOT hang or place clothing or other flammable material on or near this appliance.
- ▲ Any guard or other protective device removed for servicing the appliance must be replaced prior to operating the appliance.
- ▲ If applicable, protective cover must be removed when burner is in operation.
- ▲ Do NOT attempt to move outdoor fireplace when in use. Allow the outdoor fireplace to cool before moving or storing.
- ▲ This outdoor fireplace should be thoroughly cleaned and inspected on a regular basis. Clean and inspect the hose before each use of the appliance. If there is evidence of abrasion, wear, cuts, or leaks, the hose must be replaced prior to the appliance being operated.
- ▲ This outdoor fireplace should be inspected at least annually by a qualified service person. Depending on amount of use, more frequent cleaning may be required. Do NOT operate until all parts have been repaired or replaced.
- ▲ Use only the regulator and hose assembly provided. Use only the replacement regulator and hose assembly specified by Blue Rhino Global Sourcing, Inc.
- ▲ Use only Blue Rhino Global Sourcing, Inc. factory-authorized parts. The use of any part that is not factory-authorized can be dangerous and will void your warranty.
- ▲ Do NOT operate this appliance without reading "Operating Instructions" in this manual.
- ▲ Storage of this outdoor fireplace indoors is permissible only if the tank is disconnected, removed from the outdoor fireplace and properly stored outdoors.
- ▲ Do NOT attempt to disconnect the gas regulator from the tank or any gas fitting while the outdoor fireplace is in use.
- ▲ If the outdoor fireplace is not in use, the gas must be turned off at the supply tank.
- ▲ The pressure regulator is set for 11 inches of water column.
- ▲ The maximum inlet gas pressure for this outdoor fireplace is 11 inches of water column.
- ▲ Before pressure testing, close LP gas tank valve and disconnect gas regulator. The gas supply piping system must test at pressures equal to or less than ½ psi (3.5 kPa).
- ▲ Do NOT sit or stand on the mantle or any part of this appliance.
- ▲ Do NOT throw anything onto the fire when the unit is in operation.
- ▲ Fire logs, glass and lava rock are very hot. Keep children or pets at a safe distance from this appliance.
- ▲ The opening of the tank collar should face toward the door side for easy access.
- ▲ Do NOT store any combustible materials in the base enclosure.
- ▲ Use protective gloves when assembling this product.
- ▲ Do NOT force parts together as this can result in personal injury or damage to the product.
- ▲ Death, serious injury or damage to property may occur if the above is not followed exactly.

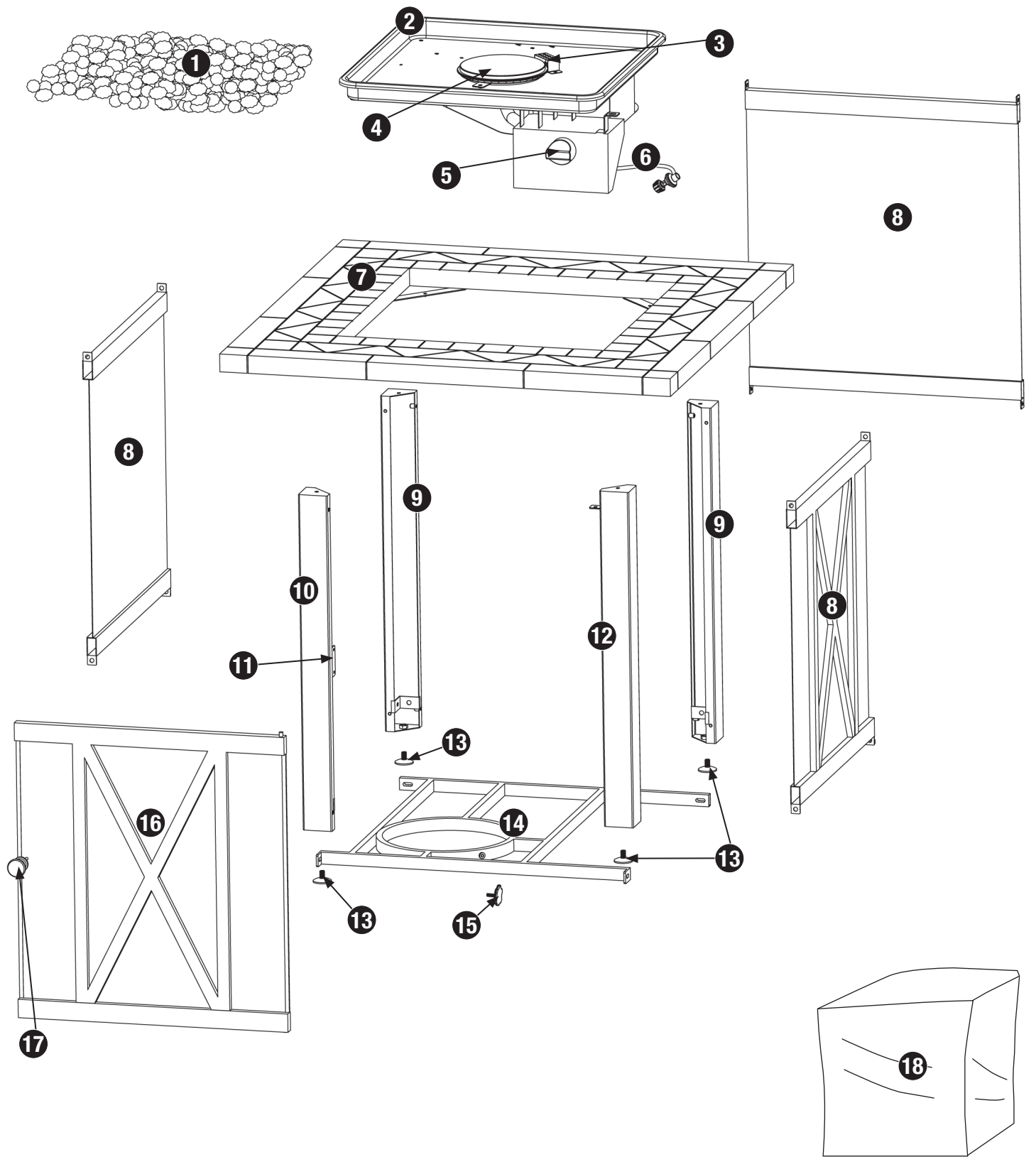
Parts List

1	Lava Rock	55-05-833
2	Bowl Assembly*	58-23-136
3	Igniter*	58-23-137
4	Burner*	58-23-138
5	Control Knob*	58-23-139
6	Regulator/Hose Assembly*	58-23-140
7	Hearth*	58-23-141
8	Side Panel (3)	58-23-142
9	Leg A (2)	58-23-163
10	Leg B	58-23-164
11	Magnet*	58-23-145
12	Leg C	58-23-166
13	Foot (4)*	58-23-147
14	Bottom Frame	58-23-148
15	LP Gas Tank Retainer Bolt	58-23-149
16	Door	58-23-150
17	Door Handle*	58-23-151
18	Cover	58-23-159
19	Logs (sold separately) †	
20	Glass Rocks (sold separately) †	

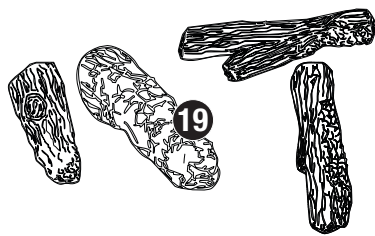
* Pre-assembled

† Use only Blue Rhino Global Sourcing, Inc. products

Expanded View



Sold Separately



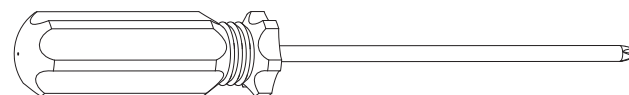
Hardware

A	Screw	M5x12 Black Nickel Plated Truss Head	4 pcs
B	Screw	M5x20 Black Nickel Plated Truss Head	2 pcs
C	Screw	M6x12 Nickel Plated Step Head	1 pc
D	Screw	M6x12 Black Nickel Plated Truss Head	4 pcs

Tools Required for Assembly (Not Included)

#2 Phillips Head Screwdriver

1 pc



Assembly Instructions

1

DO NOT RETURN TO PLACE OF PURCHASE.

For assistance, call **1.800.762.1142** toll-free. Please have your Owner's Manual and model number available for reference.

Note: The model number is printed on a label which can be found on the inside door, back or side of the base assembly.

Assembly Tips:

1. Select an area where you will assemble this product. To protect components, choose a smooth surface that's free of cracks or openings.
2. Spread out all parts.
3. Tighten all hardware connections by hand first. Then, before completing each step, go back and fully tighten all hardware. Be careful not to over-tighten. That could damage surfaces or strip threads.
4. For best results, complete each step in the order presented.

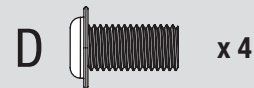
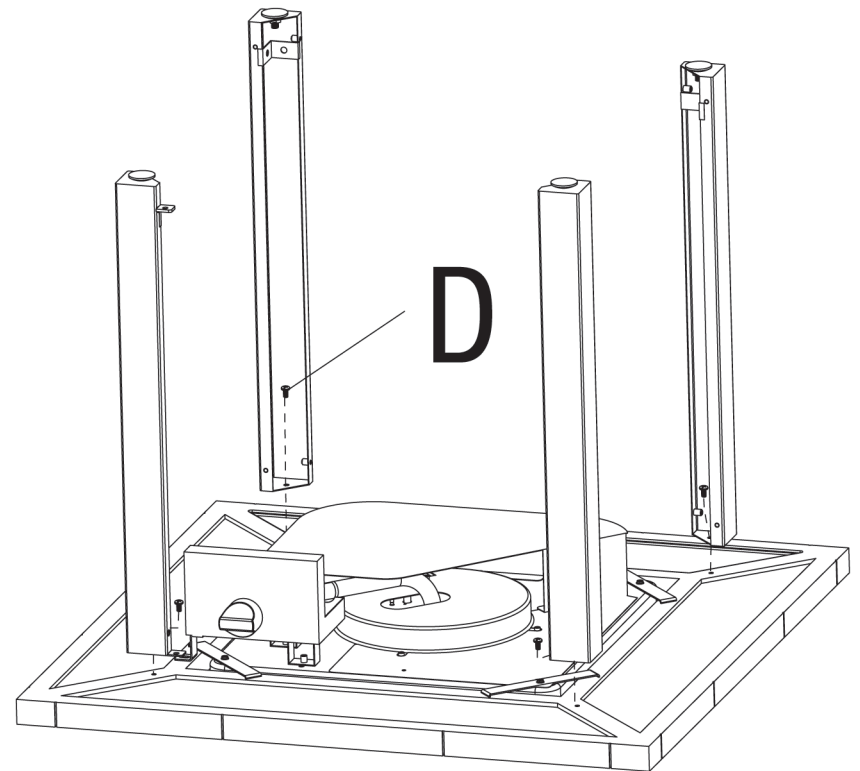
To complete assembly you will need:

- (1) Leak detection solution (instructions on how to make the solution are included in the "Operating Instructions" section of this manual).
- (1) Precision-filled LP gas grill tank with Acme Type 1 external threaded valve connection (standard grill size) (not included).

Typical assembly is approximately one hour.

2

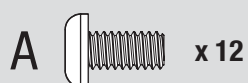
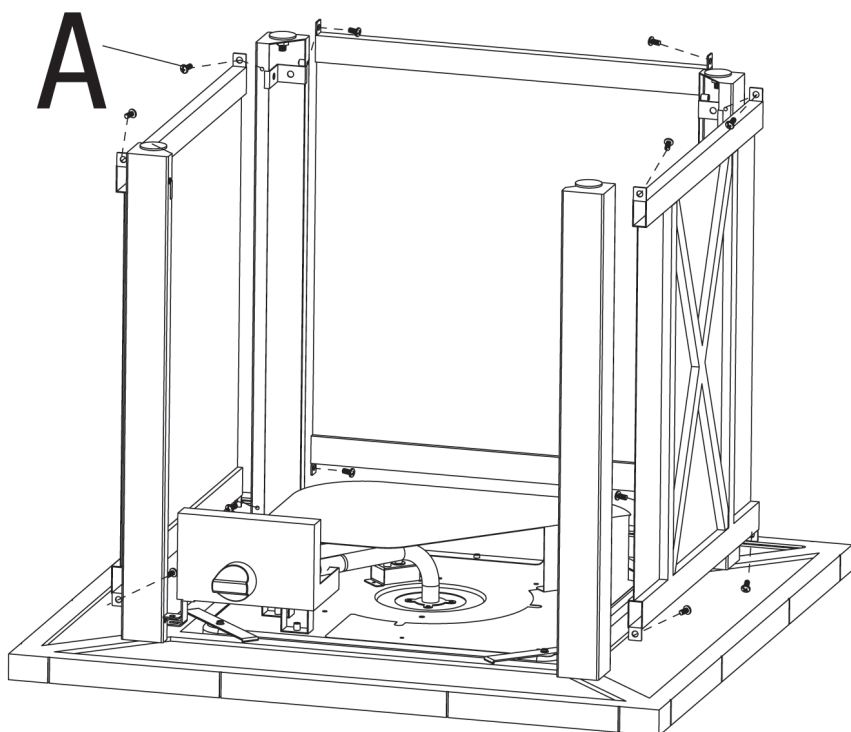
Attach Legs



3

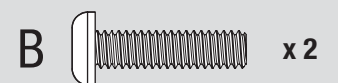
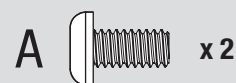
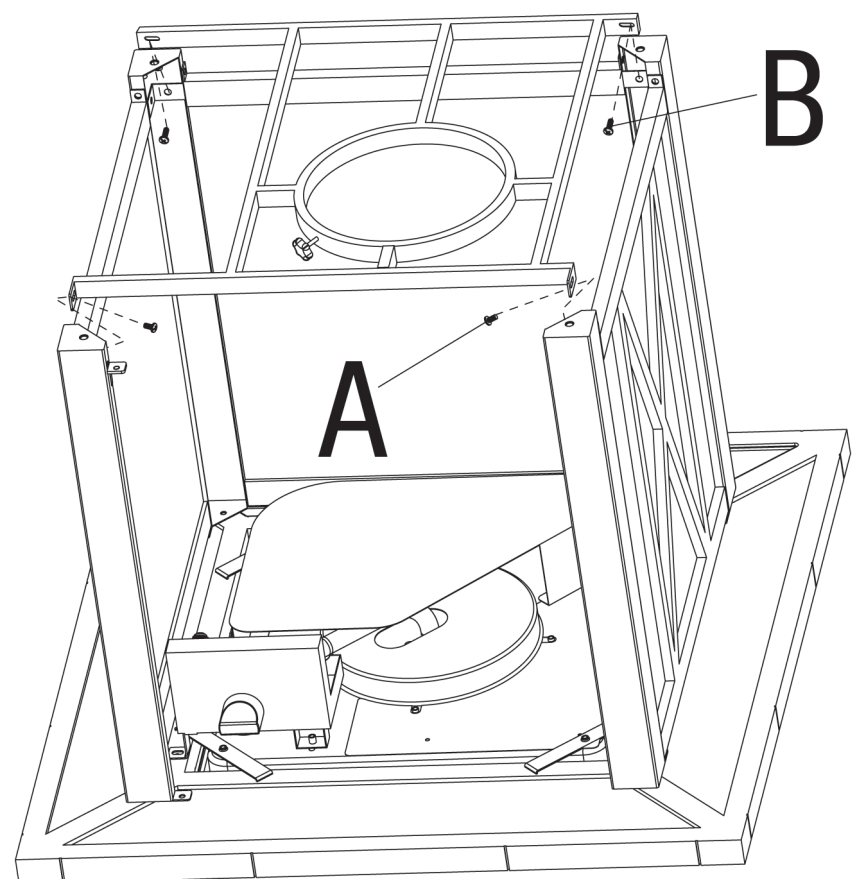
Attach Side and Rear Panels

Note: Attach bottom screws before attaching top screws.



4

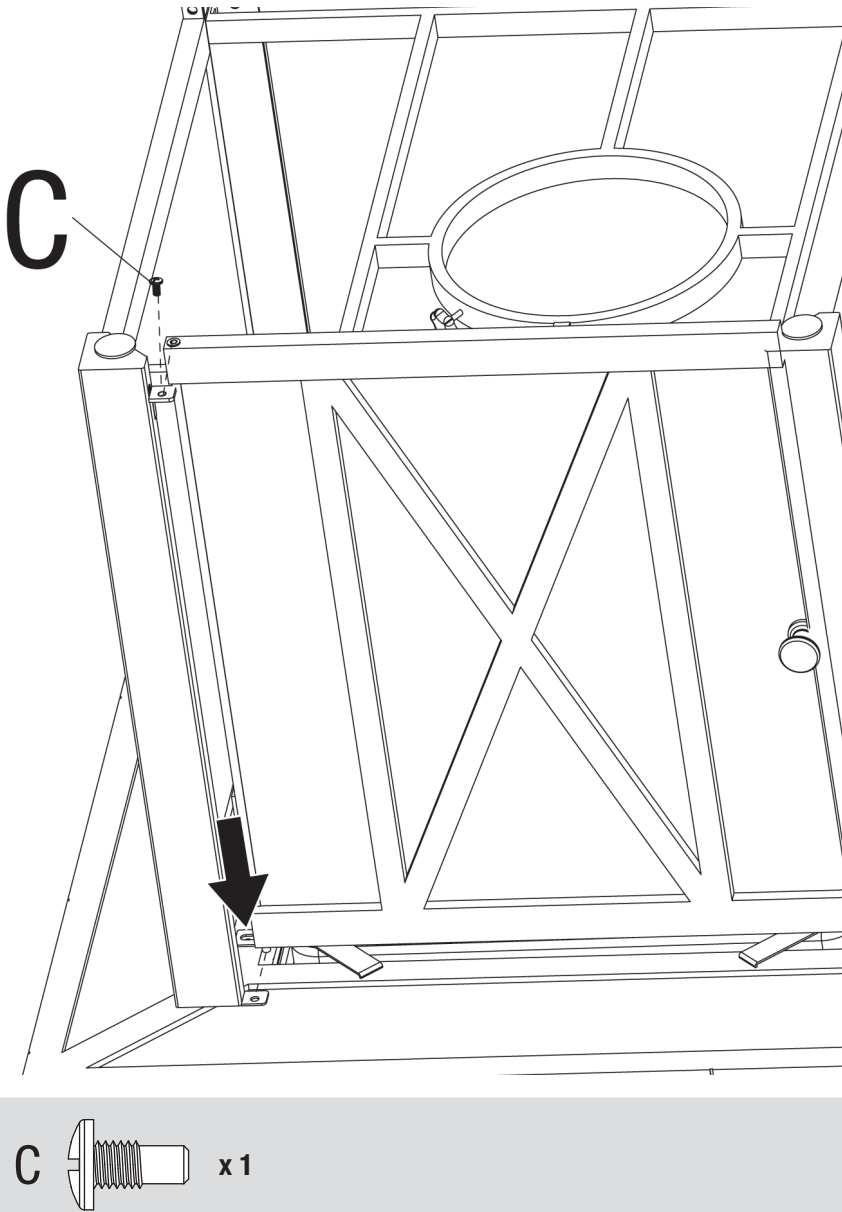
Attach Base



Assembly Instructions (continued)

5

Attach Door



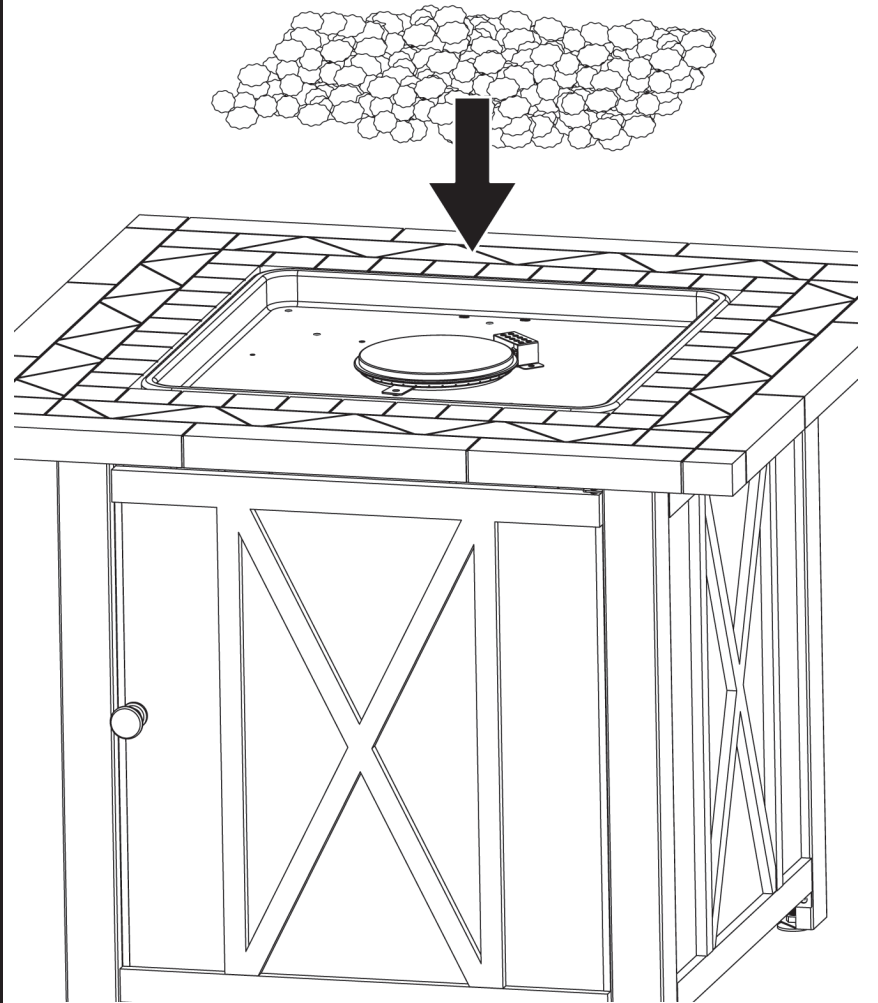
6

Place Lava Rocks

▲ **CAUTION:** Do NOT dump lava rocks out of package. Carefully place lava rocks by hand so dust does not clog burner.

▲ **CAUTION:** Do NOT cover pilot housing.

Note: Lava rocks should be 0.8-2.0 in. (2-5 cm) long. Approx. 5.95 lbs. (2.7 kg) of lava rocks are needed.



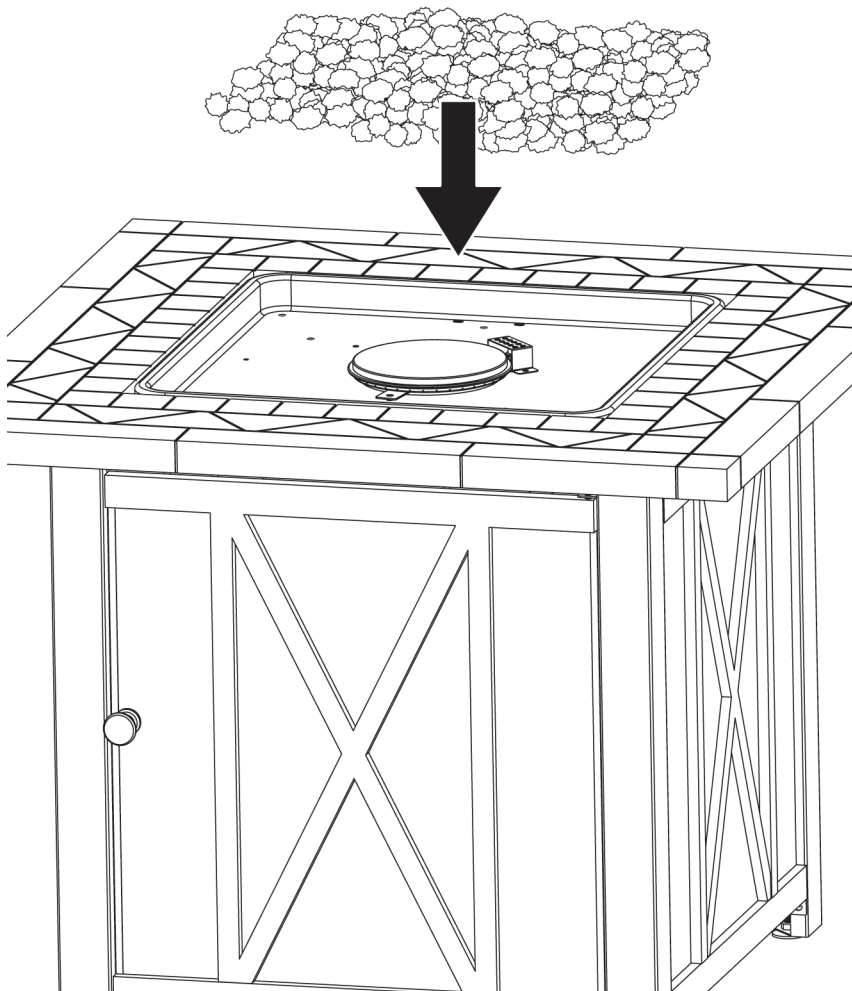
7

Place Glass Rocks (sold separately)

▲ **CAUTION:** Do NOT dump glass rocks out of package. Carefully place glass rocks by hand so dust does not clog burner.

▲ **CAUTION:** Do NOT cover pilot housing.

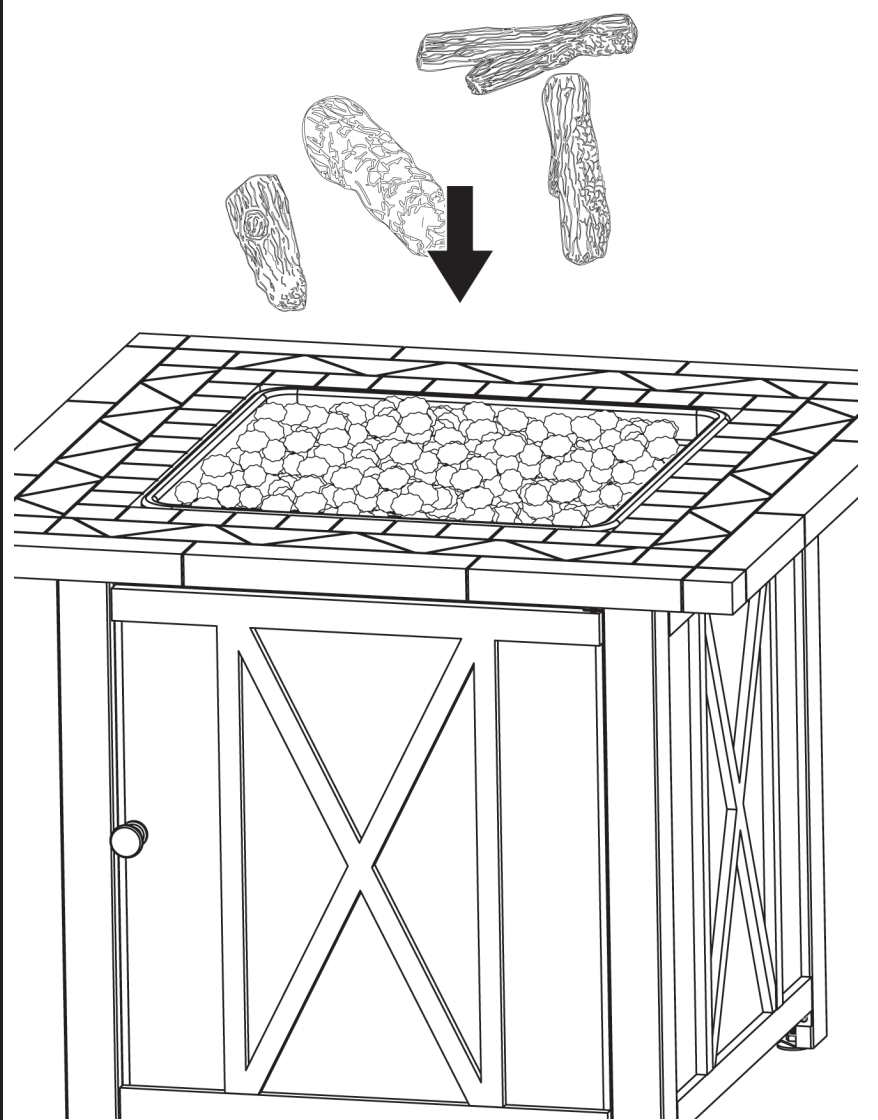
Note: Glass rocks should be 0.4-1.2 in. (1-3 cm) long. Approx. 14.5 lbs. (6.6 kg) of glass rocks are needed.



8

Place Logs (sold separately)

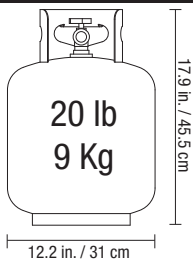
▲ **CAUTION:** Do NOT cover pilot housing.



Installing LP Gas Tank

To operate, you will need one precision-filled standard grill LP gas tank with external valve threads.

- ▲ **CAUTION: LP gas tank must be properly disconnected and removed prior to moving this outdoor fireplace.**



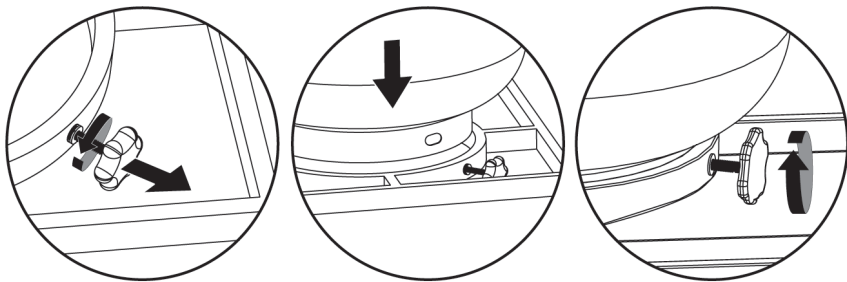
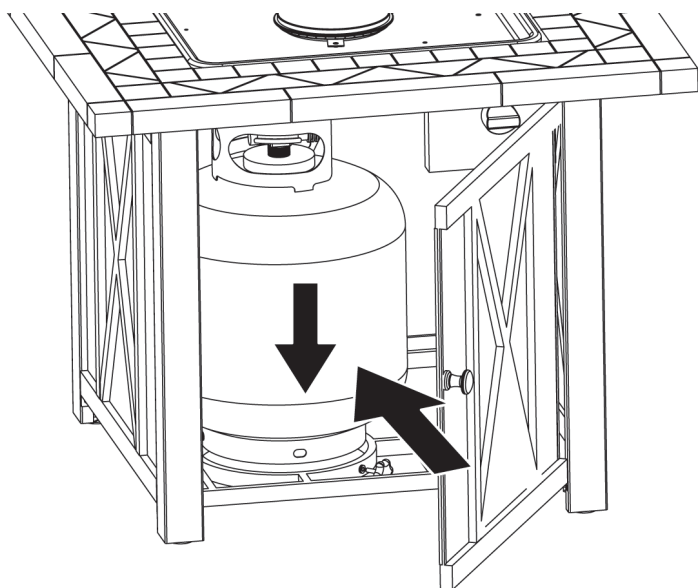
Inserting LP Gas Tank

- ▲ **WARNING: Make sure LP gas tank valve is closed.**

Loosen LP gas tank retainer bolt by turning counter-clockwise.

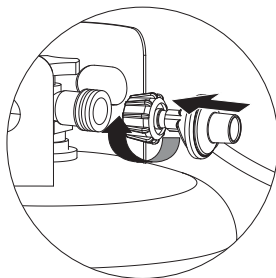
Place precision-filled LP gas tank upright into hole in outdoor fireplace base so the tank valve is facing the gas line connection.

Secure tank by turning LP gas tank retainer bolt clockwise until tight.



Connecting LP Gas Tank

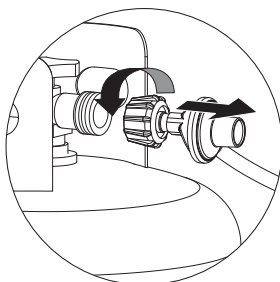
- Before connecting, be sure there is no debris caught in the head of the LP gas tank, head of the regulator valve or in the head of the burner or burner ports.
- Connect regulator/hose assembly to tank by turning knob clockwise until it stops.



Disconnecting LP Gas Tank

- Before disconnecting, make sure the LP gas tank valve is "CLOSED."
- Disconnect regulator/hose assembly from LP gas tank by turning knob counterclockwise until it is loose.
- Place the protective cap cover on the LP tank and store the tank outdoors in a well ventilated area out of direct sunlight.

- ▲ **CAUTION: LP gas tank must be properly disconnected and removed prior to moving this grill.**



Getting More Propane

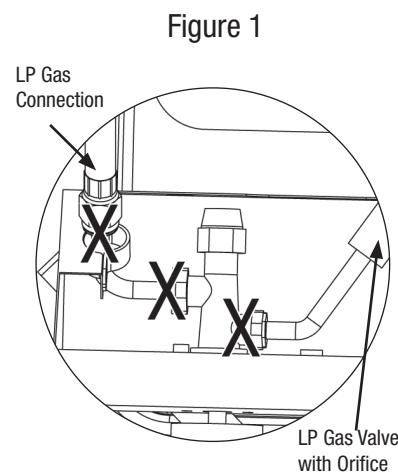


Need a tank of gas? One option is to try propane exchange. It's easy, fast, safe, and available at tens of thousands of conveniently located retail outlets nationwide, which are typically open nights and weekends. You can purchase a fresh, precision-filled tank or exchange your empty for a fresh, precision-filled tank. Another option is to have your tank refilled at a refill station. Be sure to check the hours of operation for the refill station.

Operating Instructions

Checking for Leaks

- ▲ **WARNING: Before using this outdoor fireplace, make sure you have read, understand and are following all information provided in the "Important Safeguards" section on page 2. Failure to follow those instructions can cause death, serious injury or property damage.**

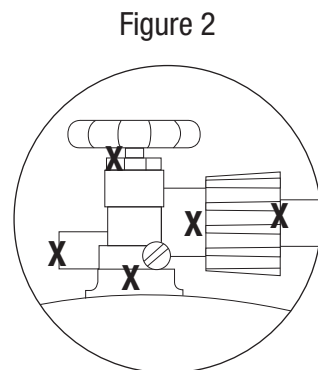


Burner Connections

- Make sure the regulator hose and valve connections are securely fastened to the burner and the tank.
- Visually check the connection between the burner/venturi tube and orifice.
- Make sure the burner/venturi tube fits over the orifice.

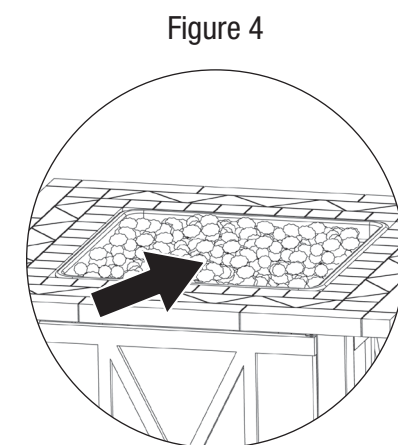
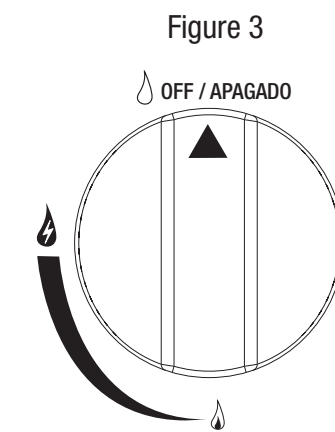
- ▲ **WARNING: Failure to inspect this connection or follow these instructions could cause a fire or an explosion which can cause death, serious bodily injury or damage to property.**

- Please refer to diagram for proper installation (Figures 1 and 2).
- If the burner/venturi tube does not rest flush to the orifice, as shown, please contact 1.800.762.1142 for assistance.



Tank/Gas Line Connection

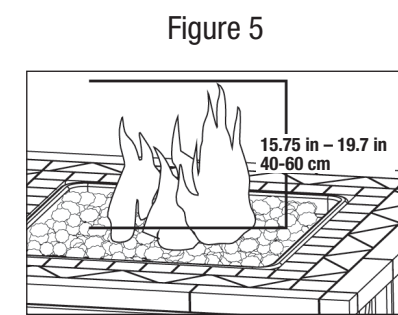
- Make 2-3 oz. of leak detection solution by mixing one part liquid dishwashing soap with three parts water.
- Make sure control knobs are in the "OFF" position (Figure 3).
- Connect LP gas tank per "Installing LP Gas Tank" section.
- Turn LP gas tank valve to "OPEN."
- Spoon several drops of solution, or use a squirt bottle, at all "X" locations (Figures 1, 2 and 4).
 - If any bubbles appear, turn LP gas tank valve to "CLOSED," reconnect and re-test.
 - If you continue to see bubbles after several attempts, turn LP gas tank valve to "CLOSED" and disconnect LP gas tank, per "Disconnecting LP Gas Tank" section. Contact 1.800.762.1142 for assistance.
 - If no bubbles appear after one minute, turn LP gas tank valve to "CLOSED," wipe away solution and proceed.



Lighting

- ▲ **WARNING: NEVER light the burner with the cover on the outdoor fireplace.**
- ▲ **CAUTION: Keep outdoor gas appliance area clear and free from combustible materials, gasoline and other flammable vapors and liquids.**
- ▲ **CAUTION: Do NOT obstruct the flow of combustion and ventilation air.**
- ▲ **CAUTION: Check and clean burner/venturi tubes for insects and insect nests. A clogged tube can lead to a fire.**

- Make sure all labels, packaging and protective films have been removed from the outdoor fireplace.
- Check for obstructions of airflow to the burner. Spiders, insects and webs can clog the burner/venturi tube. A clogged burner tube can lead to a fire.
- Control knob must be in the "OFF" position (Figure 3).
- Clear small area of glass rocks away from the igniter cover (Figure 4).
- Connect LP gas tank per "Installing LP Gas Tank" section.
- Turn LP gas tank valve to "OPEN."
- Push and turn control knob to HIGH. The burner should light. If it does not, repeat up to three times.
- After 20 seconds, release and turn control knob counterclockwise to adjust flame to desired height.
- If ignition does not occur in 5 seconds, turn burner control knob to "OFF," wait 5 minutes, fan with a newspaper or magazine, and repeat lighting procedure.



Operating Instructions (continued)

10. If igniter does not light burner:
 - a. Wearing heat-resistant gloves, position a long lit match or long lit butane lighter near the pilot housing.
 - b. Push and turn control knob to 🔻 (LOW).
 - c. Remove match/lighter once burner is lit.
- ▲ **CAUTION: After lighting - using a fireplace tool and heat-resistant gloves, carefully move the glass rocks back to their proper position, being careful to avoid the flame.**
11. After lighting, observe the burner flame. Make sure all burner ports are lit and flame height matches illustration (Figure 5).
 - ▲ **CAUTION: If ignition does not occur in 5 seconds, turn control knob to 🔻 OFF, wait 5 minutes, fan with a newspaper or magazine, and repeat lighting procedure.**

Turning Off

1. Turn LP gas tank valve to “CLOSED.”
2. Turn control knob to the 🔻 OFF position.
Note: A “poof” sound is normal as the last of the LP gas is burned.
3. Disconnect LP gas tank per “Disconnecting LP Gas Tank” section.

Cleaning and Care

- ▲ **CAUTION:**
 1. **All cleaning and maintenance should be done when outdoor fireplace is cool and with the fuel supply disconnected.**
 2. **Do NOT clean any outdoor fireplace part in a self-cleaning oven. The extreme heat will damage the finish.**
 3. **Do NOT enlarge valve orifices or burner ports when cleaning the valves or burners.**

Notices

1. **This outdoor fireplace should be thoroughly cleaned and inspected on a regular basis.**
2. **Abrasive cleaners will damage this product.**
3. **NEVER use oven cleaner to clean any part of this outdoor fireplace.**

Before Each Use:

1. Keep the outdoor fireplace area clear and free from any combustible materials, gasoline, and other flammable vapors and liquids.
2. Do NOT obstruct the flow of the combustion of LP gas and the ventilation of air.
3. Keep the ventilation opening(s) of the LP gas tank area free and clear from debris.
4. Visually check the burner flames to make sure your outdoor fireplace is working properly (Figure 5).
5. See below for proper cleaning instructions.
6. Check all gas connections for leaks.
7. Check components for any signs of damage or rust.
8. Check for obstructions of airflow to the burner. Spiders, insects and webs can clog the burner/venturi tube. A clogged burner/venturi tube can lead to a fire.
9. If damage to any component is detected, do NOT operate until repairs are completed.

Cleaning Surfaces

1. Wipe surfaces clean with mild dishwashing detergent or baking soda mixed with water.
2. For stubborn stains, use a citrus-based cleaner and a nylon scrubbing brush.
3. Rinse clean with water.
4. Allow to air dry.

Before Storing

1. Turn LP gas tank valve to “CLOSED.”
2. Turn control knob to the 🔻 OFF position.
Note: A “poof” sound is normal as the last of the gas is burned.
3. Disconnect LP gas tank per “Disconnecting LP Gas Tank” section.
4. Clean all surfaces.
5. Lightly coat the burner with cooking oil to prevent excess rusting.
- ▲ **CAUTION: NEVER place cover on hot outdoor fireplace.**
6. If storing the outdoor fireplace indoors, cover the outdoor fireplace and store in a cool dry location away from children and pets.
7. If storing the outdoor fireplace outdoors, cover the outdoor fireplace with a cover for protection from the weather.

Product Registration

For faster warranty service, register your product immediately at BlueRhino.com/warranty or by calling 1.800.762.1142.

Replacement Parts

Replacement parts can be found at parts.BlueRhino.com or by calling 1.800.762.1142.

Limited Warranty

Blue Rhino Global Sourcing, Inc. (“Blue Rhino”) warrants to the original retail purchaser of this product, and to no other person, that if this product is assembled, maintained, and operated in accordance with the printed instructions accompanying it, then for a period of one (1) year from the date of purchase, all parts in such product shall be free from defects in material and workmanship. Blue Rhino may require reasonable proof of your date of purchase. Therefore, you should retain your sales slip or invoice. This Limited Warranty shall be limited to the repair or replacement of parts, which prove defective under normal use and service and which Blue Rhino shall determine in its reasonable discretion upon examination to be defective. Before returning any parts, you should contact Blue Rhino’s Customer Care Department using the contact information listed below. If Blue Rhino confirms, after examination, a defect covered by this Limited Warranty in any returned part, and if Blue Rhino approves the claim, Blue Rhino will replace such defective part without charge. If you return defective parts, transportation charges must be prepaid by you. Blue Rhino will return replacement parts to the original retail purchaser, freight or postage prepaid.

This Limited Warranty does not cover any failures or operating difficulties due to accident, abuse, misuse, alteration, misapplication, improper installation or improper maintenance or service by you or any third party, or failure to perform normal and routine maintenance on the product as set out in this owner’s manual. In addition, the Limited Warranty does not cover damage to the finish, such as scratches, dents, discoloration, rust or other weather damage, after purchase.

This Limited Warranty is in lieu of all other express warranties. Blue Rhino disclaims all warranties for products that are purchased from sellers other than authorized retailers or distributors, including the warranty of merchantability or the warranty of fitness for a particular purpose. Blue Rhino ALSO DISCLAIMS ANY AND ALL IMPLIED WARRANTIES, INCLUDING WITHOUT LIMITATION THE IMPLIED WARRANTIES OF MERCHANTABILITY AND FITNESS FOR A PARTICULAR PURPOSE. Blue Rhino SHALL HAVE NO LIABILITY TO PURCHASER OR ANY THIRD PARTY FOR ANY SPECIAL, INDIRECT, PUNITIVE, INCIDENTAL, OR CONSEQUENTIAL DAMAGES. Blue Rhino further disclaims any implied or express warranty of, and assumes no responsibility for, defects in workmanship caused by third parties.

This Limited Warranty gives the purchaser specific legal rights; a purchaser may have other rights depending upon where he or she lives. Some jurisdictions do not allow the exclusion or limitation of special, incidental or consequential damages, or limitations on how long a warranty lasts, so the above exclusion and limitations may not apply to everyone.

Blue Rhino does not authorize any person or company to assume for it any other obligation or liability in connection with the sale, installation, use, removal, return, or replacement of its equipment, and no such representations are binding on Blue Rhino.

Blue Rhino Global Sourcing, Inc.
Winston-Salem, North Carolina 27105 USA
1.800.762.1142

Troubleshooting

Problem	Possible Cause	Prevention/Cure
Burner will not light using igniter	LP gas tank valve is closed	Make sure regulator is securely attached to the LP gas tank per "Installing LP Gas Tank," then turn LP gas tank valve to "OPEN"
	LP gas tank is low or empty	Exchange, refill or replace LP gas tank
	LP gas leak	1. Turn LP gas tank valve to "CLOSED" 2. Wait 5 minutes for gas to clear 3. Follow "Checking for Leaks" section
	Battery needs to be changed	Replace the "AA" battery (follow assembly step for inserting battery)
	Electrode and burners are wet	Wipe dry with cloth
	Electrode cracked or broken - sparks at crack	Replacement part(s) may be needed - contact Customer Care at 800.762.1142
	Wire loose or disconnected	Reconnect wire or replacement part(s) may be needed - contact Customer Care at 800.762.1142
	Wire is shorting (sparking) between igniter and electrode	Replacement part(s) may be needed - contact Customer Care at 800.762.1142
Bad igniter	Replacement part(s) may be needed - contact Customer Care at 800.762.1142	
Burner will not light with match	No gas flow	Check if LP gas tank is empty a. If empty, exchange, refill or replace LP gas tank b. If LP gas tank is not empty, refer to "Sudden drop in gas flow or reduced flame height" (see below)
	LP gas tank is low or empty	Exchange, refill or replace LP gas tank
	LP gas leak	1. Turn LP gas tank valve to "CLOSED" 2. Wait 5 minutes for gas to clear 3. Follow "Checking for Leaks" section
	Coupling nut and regulator not fully connected	Turn the coupling nut about one-half to three-quarters additional turn until solid stop. Tighten by hand only - do NOT use tools
	Obstruction of gas flow	1. Clear burner/venturi tube 2. Check for bent or kinked hose
	Disengagement of burner to valve	Re-engage burner and valve
	Spider webs or insect nest in burner/venturi tube	Clean burner/venturi tube
	Burner ports clogged or blocked	Clean burner ports
Sudden drop in gas flow or reduced flame height	Out of gas	Exchange, refill or replace LP gas tank
	Overfilling prevention device may have been activated	1. Turn control knob to "OFF" 2. Wait 30 seconds and light outdoor fireplace per "Lighting" section 3. If flames are still too low, reset the overfilling prevention device: a. Turn control knob(s) "OFF" b. Turn LP gas tank valve to "CLOSED" c. Disconnect regulator d. Turn control knobs to 🔥 (HIGH) e. Wait one minute f. Turn control knobs to "OFF" g. Reconnect regulator and leak check connections, being careful not to fully open valve h. Light outdoor fireplace per "Lighting" section
Irregular flame pattern, flame does not run the full length of burner	Burner ports are clogged or blocked	Clean burner ports
Flame is yellow or orange	New burner may have residual manufacturing oils	Burn outdoor fireplace for 15 minutes and reinspect
	Spider webs or insect nest in burner/venturi tube	Clean burner/venturi tube
	Poor alignment of valve to burner/venturi tube	Ensure burner/venturi tube is properly engaged with valve
Flame goes out	High or gusting winds	Do not use outdoor fireplace in high winds
	Low on LP gas	Exchange, refill or replace LP gas tank
	Excess flow valve tripped	Refer to "Sudden drop in gas flow or reduced flame height"
Flashback (fire in venturi/burner tube(s))	Burner and/or burner/venturi tube is blocked	Clean burner and/or burner/venturi tube
Flame seems to lose heat when burning in cold weather - temperature below 50°F	Ice has built up on the outside of the LP gas tank because the vaporization process is too slow	1. Turn off per "Turning Off" section 2. Replace with a spare LP gas tank 3. Reconnect LP gas tank per "Installing LP Gas Tank" section 4. Follow "Checking for Leaks" section 5. Light outdoor fireplace per "Lighting" section

For assistance, please visit us at BlueRhino.com or call 1.800.762.1142.

Chimenea para exteriores a gas propano líquido

Modelo no. GAD1417SP

Resolución de problemas

Problema	Causa posible	Prevención/solución
<p>El quemador no se enciende utilizando el encendedor.</p> <p>Se debe reemplazar la pila.</p> <p>Reemplace la pila AA (vea el paso de instalación de la pila de las instrucciones de armado)</p> <p>Los electrodos y los quemadores están mojados.</p> <p>Séquelos con un paño.</p> <p>Pueden necesitarse piezas de repuesto. Comuníquese con el Servicio al Cliente al 800.762.1142</p> <p>Electrodo agrietado o roto; chispas en las grietas.</p> <p>Puede ser necesario volver a conectar el cable u obtener piezas de repuesto. Comuníquese con el Servicio al Cliente al 800.762.1142</p> <p>Cable suelto o desconectado.</p> <p>El cable tiene un cortocircuito (chispeo) entre el encendedor y el electrodo.</p> <p>Pueden necesitarse piezas de repuesto. Comuníquese con el Servicio al Cliente al 800.762.1142</p> <p>Encendedor defectuoso.</p>	<p>Nivel de gas del tanque de propano bajo o tanque vacío.</p> <p>La válvula del tanque de gas propano está cerrada.</p> <p>Asegúrese de que el regulador esté conectado de manera segura en el tanque de gas propano" y luego gire la válvula del tanque de gas propano a la posición "OPEN" (abierta)</p> <p>Cambie, reemplace o vuelva a llenar el tanque de propano.</p> <p>1. Cierre la válvula del tanque de gas propano líquido girándola a la posición "CLOSED" (cerrado).</p> <p>2. Espere 5 minutos para que se disperse el gas.</p> <p>3. Siga las indicaciones de "Inspección de fugas" descritas en el manual del usuario.</p> <p>Fuga de gas propano</p> <p>Se debe reemplazar la pila.</p> <p>Reemplace la pila AA (vea el paso de instalación de la pila de las instrucciones de armado)</p> <p>Los electrodos y los quemadores están mojados.</p> <p>Séquelos con un paño.</p> <p>Pueden necesitarse piezas de repuesto. Comuníquese con el Servicio al Cliente al 800.762.1142</p> <p>Electrodo agrietado o roto; chispas en las grietas.</p> <p>Puede ser necesario volver a conectar el cable u obtener piezas de repuesto. Comuníquese con el Servicio al Cliente al 800.762.1142</p> <p>Cable suelto o desconectado.</p> <p>El cable tiene un cortocircuito (chispeo) entre el encendedor y el electrodo.</p> <p>Pueden necesitarse piezas de repuesto. Comuníquese con el Servicio al Cliente al 800.762.1142</p> <p>Encendedor defectuoso.</p>	<p>Compruebe si el tanque de propano líquido está vacío.</p> <p>a. Si está vacío, cámbielo, reemplácelo o vuelva a llenarlo.</p> <p>b. Si el tanque de propano líquido no está vacío, consulte la sección "Cada caída repentina del flujo de gas o altura de llama insuficiente" de esta página.</p> <p>Nivel de gas del tanque de propano bajo o tanque vacío.</p> <p>1. Cierre la válvula del tanque de gas propano líquido girándola a la posición "CLOSED" (cerrado).</p> <p>2. Espere 5 minutos para que se disperse el gas.</p> <p>3. Siga las indicaciones de "Detección de fugas" descritas en el manual del usuario.</p> <p>Fuga de gas propano</p> <p>La tuerca de acoplamiento no está conectada por completo.</p> <p>1. Limpie los tubos del quemador.</p> <p>2. Verifique que la manguera no esté torcida o doblada.</p> <p>Desacoplamiento del quemador a la válvula.</p> <p>Vuelva a conectar el quemador y la válvula.</p> <p>Vuelva a conectar el quemador y la válvula.</p> <p>Telarañas o nidos de insectos en el venturi.</p> <p>Orificios del quemador atascados u obstruidos.</p> <p>Sin gas</p>
<p>Falta de uniformidad en la llama, la llama no cubre toda la longitud del quemador.</p> <p>Los orificios del quemador están atascados u obstruidos.</p> <p>Limpie los orificios del quemador.</p>	<p>Puede que el nuevo quemador tenga aceites residuales del proceso de fabricación.</p> <p>Haga funcionar la chimenea para exteriores durante 15 minutos y vuelva a inspeccionarla.</p> <p>Limpie el tubo/venturi del quemador.</p> <p>Telarañas o nidos de insectos en el tubo/venturi del quemador.</p> <p>La válvula no queda correctamente alineada con el venturi del quemador.</p> <p>Asegúrese de que el tubo/venturi del quemador está conectado adecuadamente a la válvula.</p>	<p>La llama es de color amarillo o anaranjado.</p> <p>Puede que se haya activado el dispositivo de seguridad de exceso de flujo.</p> <p>Consulte la sección "Caída repentina del flujo de gas o altura de llama insuficiente" de esta página.</p> <p>El quemador y/o el tubo venturi del quemador está bloqueado.</p> <p>Limpie el tubo/venturi del quemador.</p>
<p>Caída repentina del flujo de gas o altura de la llama insuficiente.</p> <p>Flujo excesivo: puede que se haya activado el dispositivo de seguridad de exceso de flujo.</p> <p>1. Gire la perilla de control a la posición "APAGADO".</p> <p>2. Espere 30 segundos y encienda la chimenea siguiendo las instrucciones descritas en la sección "Encendido" del manual.</p> <p>3. Si las llamas continúan siendo demasiado bajas reinicie el dispositivo de seguridad de flujo excesivo:</p> <p>a. Gire la(s) perilla(s) de control a la posición "APAGADO".</p> <p>b. Cierre el gas girando la válvula del tanque de propano líquido a la posición "CLOSED" (cerrado).</p> <p>c. Desconecte el regulador.</p> <p>d. Gire las perillas de control a la posición (alto).</p> <p>e. Espere 1 minuto.</p> <p>f. Gire las perillas de control a la posición "APAGADO".</p> <p>g. Vuelva a conectar el regulador y verifique las conexiones para averiguar que no haya fugas. Tenga cuidado, asegúrese de no abrir la válvula completamente.</p> <p>h. Encienda la chimenea para exteriores conforme a las instrucciones de encendido.</p>	<p>Los orificios del quemador están atascados u obstruidos.</p> <p>Limpie los orificios del quemador.</p>	<p>Falta de uniformidad en la llama, la llama no cubre toda la longitud del quemador.</p> <p>Puede que el nuevo quemador tenga aceites residuales del proceso de fabricación.</p> <p>Haga funcionar la chimenea para exteriores durante 15 minutos y vuelva a inspeccionarla.</p> <p>Limpie el tubo/venturi del quemador.</p> <p>Telarañas o nidos de insectos en el tubo/venturi del quemador.</p> <p>La válvula no queda correctamente alineada con el venturi del quemador.</p> <p>Asegúrese de que el tubo/venturi del quemador está conectado adecuadamente a la válvula.</p>
<p>La llama se apaga.</p> <p>Vientos fuertes o racheados.</p> <p>No use la chimenea para exteriores cuando hay vientos fuertes.</p> <p>Nivel de gas del tanque de propano bajo.</p> <p>Cambie, reemplace o vuelva a llenar el tanque de propano.</p>	<p>Puede que se haya activado el dispositivo de seguridad de exceso de flujo.</p> <p>Consulte la sección "Caída repentina del flujo de gas o altura de llama insuficiente" de esta página.</p>	<p>La llama pierde calor cuando la temperatura exterior baja debajo de 50°F (10°C)</p> <p>Puede que haya escarcha en el exterior del tanque si el proceso de vaporización es demasiado lento.</p> <p>1. Apáguela siguiendo las instrucciones de la sección "Para apagar".</p> <p>2. Cambie, reemplace o vuelva a llenar el tanque de propano.</p> <p>3. Vuelva a conectar el tanque de propano siguiendo las instrucciones descritas en la sección "Instalar el tanque de propano" del manual.</p> <p>4. Siga las indicaciones de "Detección de fugas" descritas en el manual del usuario.</p> <p>5. Encienda la chimenea para exteriores conforme a las instrucciones de encendido.</p>

Para ayuda más detallada, sírvase visitarlos en BlueRhino.com o llámanos al 1.800.762.1142.

Garantía limitada

Blue Rhino Sourcing, Inc. ("Blue Rhino") garantiza al comprador original al detal de este producto, y a ninguna otra persona, que si la unidad se arma y opera de acuerdo con las instrucciones impresas que la acompañan y por un periodo de un (1) año a partir de la fecha de compra, todas las piezas de este producto estarán libres de defectos en material y mano de obra. Blue Rhino podrá requerir prueba razonable de la fecha de compra. Por lo tanto, usted debe conservar el recibo de venta o la factura. Esta garantía limitada estará a la reparación o reemplazo de las piezas que resulten defectuosas en condiciones de servicio y la satisfacción de Blue Rhino, que están defectuosas. Antes de devolver cualquier pieza, comuníquese con el Departamento de Servicio al Cliente de Blue Rhino. Si Blue Rhino confirma el defecto y aprueba el reclamo, Blue Rhino decidirá reemplazar tales partes sin costo alguno. Si se le pide que devuelva las partes defectuosas, los costos de transporte deberán ser prepagados. Blue Rhino devolverá las partes al cliente con costo de transporte o envío prepagados.

Esta garantía limitada no cubre fallas o dificultades de operación debidas a accidente, abuso, mal uso, alteración, empleo en usos inapropiados, instalación defectuosa o mantenimiento o servicio inapropiado o falla en la realización de mantenimiento normal y rutinario como se prescribe en este manual del usuario. Además, la garantía limitada no cubre daños al terminado de la unidad, tales como rasguños, abolladuras, descoloridos, oxidaciones y otros daños causados por la intemperie después de la compra de la unidad.

Esta garantía limitada reemplaza cualquier otra garantía. Blue Rhino no asume ninguna responsabilidad por garantías de productos vendidos por quienes no sean distribuidores o vendedores al detal autorizados. Esta exención de responsabilidad incluye cualquier garantía de comerciabilidad o la garantía de aptitud para un propósito en particular. BLUE RHINO NO SE HACE RESPONSABLE POR NINGUNA GARANTIA IMPLICITA INCLUYENDO, SIN LIMITACIONES, LAS GARANTIAS IMPLICITAS DE COMERCIABILIDAD Y ADAPTABILIDAD A UN PROPOSITO PARTICULAR. BLUE RHINO NO ASUME RESPONSABILIDAD ANTE EL COMPRADOR O ANTE CUALQUIER TERCERA PERSONA POR DAÑOS ESPECIALES, INDIRECTOS, PUNITIVOS, INCIDENTALES O CONSEQUENCIALES. Blue Rhino, además, no asume responsabilidad por garantías implícitas o expresas por defectos de mano de obra causados por terceras personas.

Esta garantía limitada le da al comprador derechos legales específicos y el comprador puede tener otros derechos según el lugar donde el comprador o la compradora residan. Ciertas jurisdicciones no permiten limitaciones en cuanto a la duración de una garantía implícita, de manera que esta limitación puede no ser aplicable a usted.

Blue Rhino no autoriza a ninguna persona o compañía para asumir por Blue Rhino cualquier otra obligación a responsabilidad relacionada con la venta, instalación, uso, remoción, devolución o reemplazo de este equipo y cualquier representación de esta naturaleza no obliga a Blue Rhino.

Blue Rhino Sourcing, Inc.
Winston-Salem, North Carolina 27105, EE.UU.
(800)-762-1142

Chimenea para exteriores a gas propano líquido

Modelo no. GAD1417SP

Limpeza y cuidado (continuación)

2. Asegúrese de que no hay nada que obstruya el filjo de aire hasta el quemador. Un tubo de quemador/venturi obstruido puede provocar un incendio.

3. La perilla de control tiene que estar en la posición “⚠️APAGADO”. Vea la Figura 3.

4. Despeje un área pequeña alejando las rocas de la cubierta del encendedor (vea Figura 4).

5. Conecte el tanque de gas propano líquido siguiendo las instrucciones descritas en la sección “Instalar el tanque de gas propano líquido”.

6. Coloque la válvula del tanque de gas propano líquido en la posición “OPEN” (abierto).

7. Oprima y gire la perilla de control a la posición ⚠️ (ALTO). Debe encenderse el quemador. Si

8. Después de 20 segundos, suelte y gire la perilla de control en el sentido contrario a las

9. Si el quemador no se enciende en 5 segundos, gire la perilla de control del quemador a la

10. Si el encendedor no enciende el quemador:

a. Usando guantes resistentes al calor, coloque la cerilla larga encendida o el

encendedor de butano largo cerca del lado del quemador.

b. Oprima y gire la perilla de control a la posición ⚠️ (bajo).

c. Retire la cerilla o encendedor una vez que el quemador esté encendido.

⚠️ PRECAUCIÓN: Después de encender el fuego, use guantes resistentes al calor y un herramienta para chimenea para mover cuidadosamente las rocas de vidrio nuevamente a su posición correcta. Tenga cuidado de evitar la llama.

11. Después de encender el quemador observe su llama y asegúrese de que todos los orificios estén encendidos y que la altura de la llama corresponda a la del diagrama (vea Figura 5).

⚠️ PRECAUCIÓN: Si la llama del quemador se apaga durante el funcionamiento, cierre el gas inmediatamente girando la perilla a la posición “⚠️ APAGADO”. Deje que el gas se despeje y luego abanique con un periódico o revista durante aproximadamente 5 minutos antes de volver a encender la unidad.

Apagado

1. Cierre la válvula del tanque de gas propano líquido girándola a la posición “CLOSED”

(cerrado).

2. Gire la perilla de control a la posición “⚠️ APAGADO”

3. Desconecte el tanque de propano de acuerdo con las instrucciones descritas en la sección ha extinguido.

3. “Desconectar el tanque de gas propano líquido”.

Limpeza y cuidado

⚠️ PRECAUCIÓN:

1. Todas la operaciones de limpieza y mantenimiento deben realizarse con la chimenea para exteriores fría y con el tanque de propano desconectado.

2. NO limpie ninguna pieza de esta chimenea para exteriores en un horno de limpieza automática. El calor extremo dañará el

terminado.

3. NO agrande los orificios de las válvulas ni los orificios de los quemadores al limpiar las válvulas o quemadores.

Avisos

1. Esta chimenea para exteriores debe limpiarse y verificarse completamente de manera regular.

2. No use productos de limpieza abrasivos pues dañarán este aparato.

3. No utilice nunca productos limpiadores para limpiar cualquier pieza de la chimenea para exteriores.

Cada vez que vaya a usar la unidad:

1. Mantenga el rededor de la unidad limpio y libre de materiales combustibles, gasolina, y otros líquidos y vapores inflamables.

2. No obstruya el filjo aire de combustión del propane líquido ni el aire de ventilación.

3. Mantenga la abertura o aberturas de la zona del tanque de gas propano líquido abiertas y libres de basura.

4. Visualmente examine la llama del quemador para estar seguro de que la chimenea para exteriores está funcionando adecuadamente (vea la Figura 5).

5. Vea a continuación las instrucciones de limpieza apropiadas.

6. Revise todas las conexiones de gas para asegurarse de que no hayan fugas.

7. Revise los componentes para asegurarse de que no haya daño u óxido.

8. Verifique que no hayan obstrucciones en el quemador. Las arañas, insectos y telas de araña pueden obstruir el quemador/tubo venturi. Un quemador/tubo venturi obstruido

puede causar incendio.

9. Si se detecta daño en cualquiera de los componentes, NO haga funcionar el artefacto hasta que se haya reparado.

Piezas de repuesto

Puede encontrar piezas de repuesto en parts.BlueRhino.com o llame al 1.800.762.1142.

Registro del producto

Para beneficiar del servicio de garantía más rápidamente, sírvase registrar su unidad inmediatamente visitando nuestro sitio Internet BlueRhino.com/warranty o llamando al 1.800.762.1142.

Antes de almacenar

1. Limpie las superficies con un detergente suave de lavado de platos o con soda de hornear

mezclado con agua.

2. En superficies de limpieza difícil, use un desengrasador a base de cítricos y un cepillo de

3. Enjuague las superficies con agua limpia.

4. Deje las superficies secar al aire libre.

⚠️ PRECAUCIÓN: NUNCA coloque la cubierta sobre la chimenea de exteriores caliente.

6. Si guarda la chimenea de exteriores en interiores, cubrala y guárdela en un lugar fresco y

7. Si guarda la chimenea de exteriores al aire libre, cubrala con una cubierta a fin de protegerla contra la intemperie.

Registro del producto

Para beneficiar del servicio de garantía más rápidamente, sírvase registrar su unidad inmediatamente visitando nuestro sitio Internet BlueRhino.com/warranty o llamando al 1.800.762.1142.

? Necesita ayuda? Llame al 1.800.762.1142.

No vuelva al lugar de compra.

**Para piezas de repuesto, visite
parts.BlueRhino.com
1.800.762.1142**

Instalación del tanque de gas propano líquido

Para operar la chimenea para exteriores usted necesitará un (1) tanque de gas propano líquido para Parrilla estándar llenado con precisión con válvula rosca externa.

PRECAUCIÓN: El tanque de gas propano líquido debe desconectarse correctamente y retirarse antes de mover esta chimenea para exteriores.

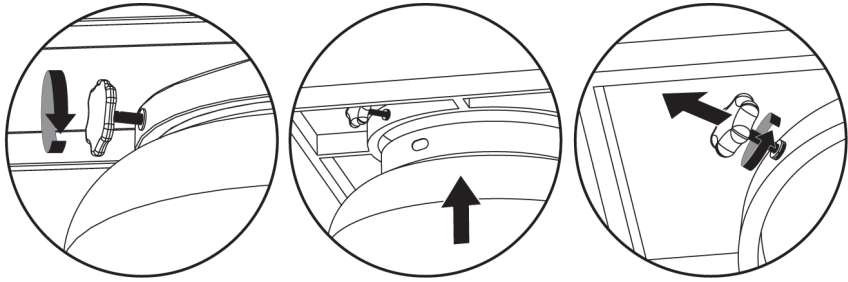
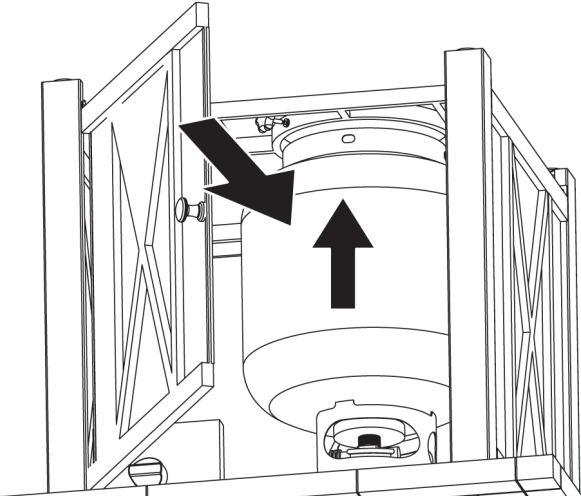
Insertar y asegurar el tanque de gas propano líquido

ADVERTENCIA: Asegúrese de que la válvula del tanque de gas propano líquido esté cerrada.

Alíe el perno de sujeción del tanque de propano girándolo en sentido contrario a las manecillas del reloj.

Coloque un tanque de propano, llenado con precisión, en posición vertical en el agujero de la repisa inferior de manera que la válvula del tanque quede orientada hacia la conexión de la línea de gas.

Asegure el tanque de propano girando el perno de sujeción del tanque en sentido de las manecillas del reloj.



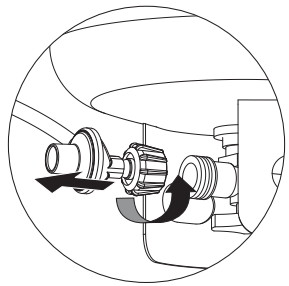
Conectar el tanque de gas propano líquido

1. Antes de conectar el tanque, asegúrese de que tanto la cabeza del mismo como la del regulador y los orificios/ puertos del quemador, están libres del cualquier suciedad.
2. Conecte el regulador y su manguera al tanque girando la perilla en la dirección de las manecillas del reloj hasta su límite.

Desconectar el tanque de gas propano líquido

1. Antes de desconectar el tanque, asegúrese de que la válvula del tanque de gas propano líquido está en la posición "CLOSED" (cerrado)
2. Desconecte el regulador y su manguera del tanque girando la perilla en la dirección contraria a las manecillas de reloj hasta que esté floja.
3. Coloque la tapa protectora y la cubierta de gas propano líquido y almacene el tanque en exteriores en un área con buena ventilación y en donde no le caiga la luz solar directamente.

PRECAUCIÓN: El tanque de gas propano líquido debe desconectarse correctamente y retirarse antes de mover esta chimenea para exteriores.



Como obtener más gas propano

? Necesita un tanque de gas? Pruebe nuestro servicio de intercambio de tanques. Es sencillo, rápido, seguro y está disponible en decenas de miles de puestos de venta minorista en todo el país, los cuales generalmente están abiertos durante la noche y los fines de semana. Puede comprar un nuevo tanque llenado a precisión o cambiar su tanque vacío llenado a precisión por uno lleno. Otra opción es que le llenen su tanque en una estación de llenado. Asegúrese de verificar el horario de atención de la estación de llenado.



Fonctionnement

ADVERTENCIA: Antes de usar esta chimenea para exteriores, asegúrese de leer y entender la siguiente información proporcionada en la sección "Salvaguardias importantes" en la página 2. El incumplimiento de dichas instrucciones puede causar la muerte, lesiones graves o daños materiales.

Conexiones del quemador

1. Asegúrese de conectar adecuadamente la válvula del regulador y su manguera al quemador y al tanque.

2. Si alguien armó la unidad para usted, verifique visualmente la conexión entre el tubo del quemador y el orificio.
3. Asegúrese de que el tubo del quemador encaja sobre el orificio.

ADVERTENCIA: El no inspeccionar esta conexión o seguir debidamente estas instrucciones puede causar incendio o explosión ocasionando muerte, graves lesiones o daños a la propiedad.

4. Por favor, consulte el diagrama para llevar a cabo correctamente la instalación (Figura 1 y 2).
5. Si el tubo del quemador / tubo de venturi del quemador no queda a ras con el orificio, por favor llame al 1.800.762.1142.

Conexión de la línea de gas y del tanque

1. Prepare unos 80 ml de solución para comprobar si hay fugas mezclando una parte de jabón líquido para lavar platos y tres partes de agua.
2. Asegúrese de que las perillas de control están en la posición "APAGADO". Vea la Figura 3.
3. Conecte el tanque de gas propano líquido siguiendo las instrucciones descritas en la sección "Instalar el tanque de gas propano líquido".
4. Coloque la válvula del tanque de gas propano líquido en la posición "OPEN" (abierto).
5. Aplique con una cuchara varias gotas de la solución, o use un frasco rociador, en todas las ubicaciones marcadas con "X" (vea Figuras 1, y 2).

- a. Si en cualquier punto aparecen burbujas, cierre el gas girando la válvula del tanque de propano a la posición "CLOSED" (cerrado), vuelva a conectar y verifique nuevamente.
- b. Si las burbujas continúan apareciendo después de varios ensayos, cierre el gas girando la válvula del tanque de propano a la posición "CLOSED" (cerrado), desconecte el tanque de propano de acuerdo con las instrucciones descritas en la sección "Desconectar el tanque de gas propano líquido" y llame al teléfono 1.800.762.1142 para obtener ayuda.
- c. Si no aparecen burbujas por un lapso de un minuto, cierre el gas girando la válvula del tanque de propano a la posición "CLOSED" (cerrado) y limpie la solución para continuar el proceso.

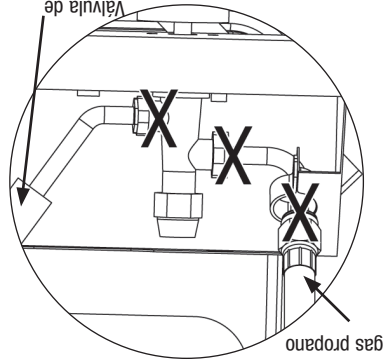


Figura 1

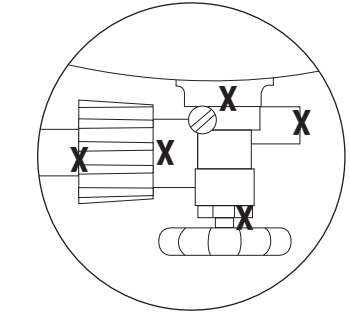


Figura 2

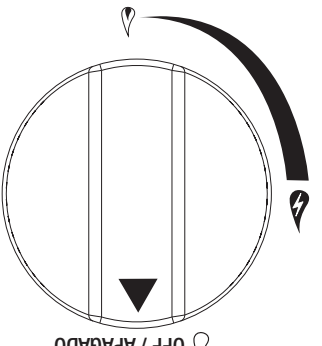


Figura 3

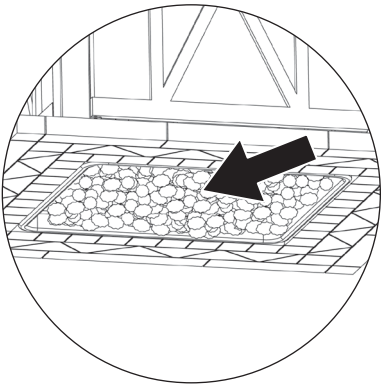


Figura 4

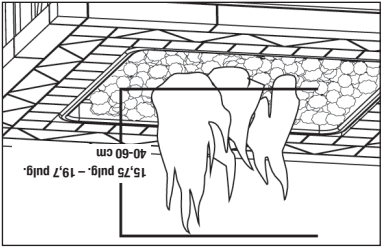


Figura 5

Encendido

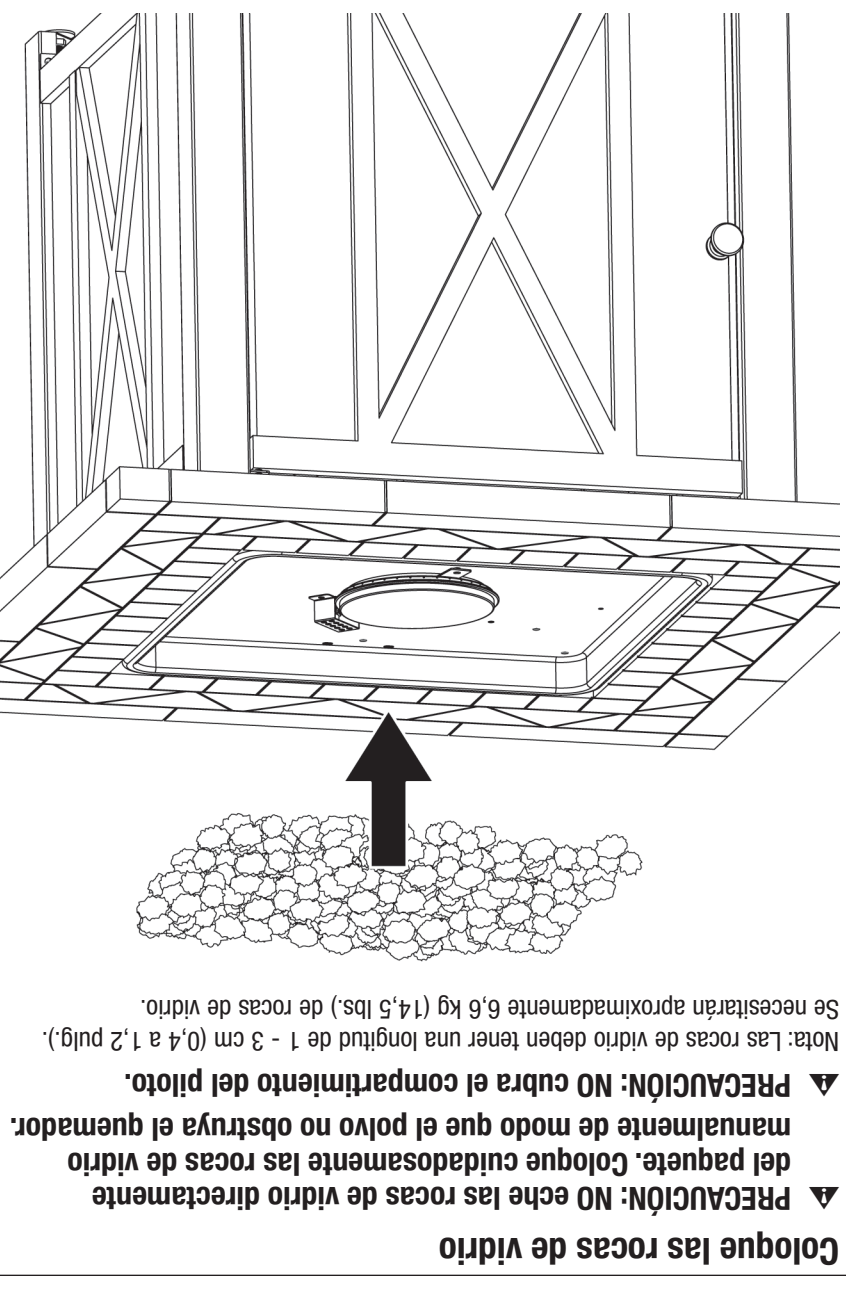
ADVERTENCIA: NUNCA encienda el quemador con la cubierta de la chimenea para exteriores puesta.

PRECAUCIÓN: Mantenga el área de la chimenea para exteriores limpia y libre de materiales combustibles, gasolina y otros líquidos y vapores inflamables.

PRECAUCIÓN: No obstruya el flujo del aire de ventilación y combustión.

PRECAUCIÓN: Revise y limpie el quemador/tubos venturi para eliminar los insectos y nidos de insectos. Un tubo obstruido puede causar un incendio.

1. Verifique que todos los empaques, etiquetas y envolturas de protección han sido removidos de la chimenea para exteriores.



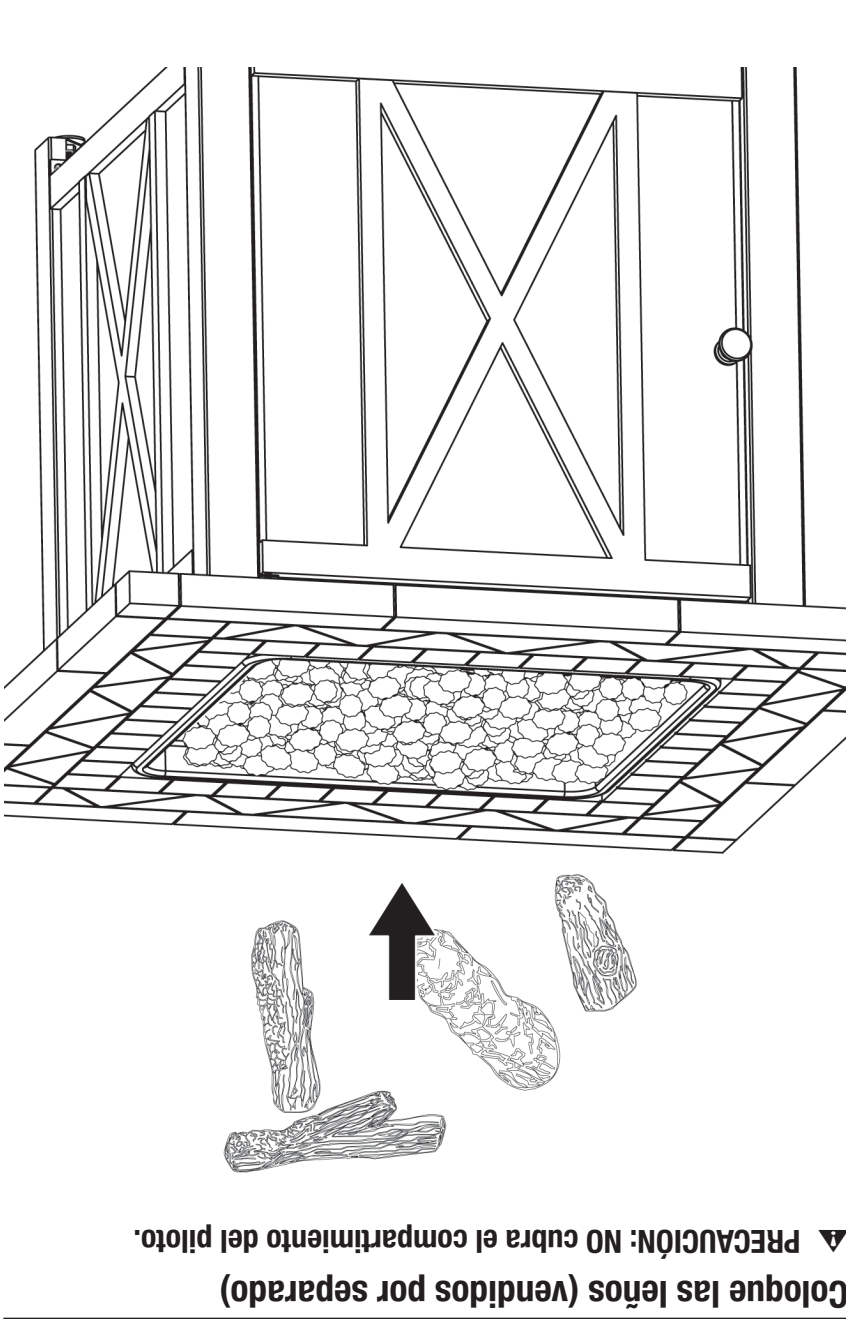
Coloque las rocas de vidrio

▲ **PRECAUCIÓN:** NO eche las rocas de vidrio directamente del paquete. Coloque cuidadosamente las rocas de vidrio manualmente de modo que el polvo no obstruya el quemador.

▲ **PRECAUCIÓN:** NO cubra el compartimiento del piloto.

Nota: Las rocas de vidrio deben tener una longitud de 1 - 3 cm (0,4 a 1,2 pulg.). Se necesitarán aproximadamente 6,6 kg (14,5 lbs.) de rocas de vidrio.

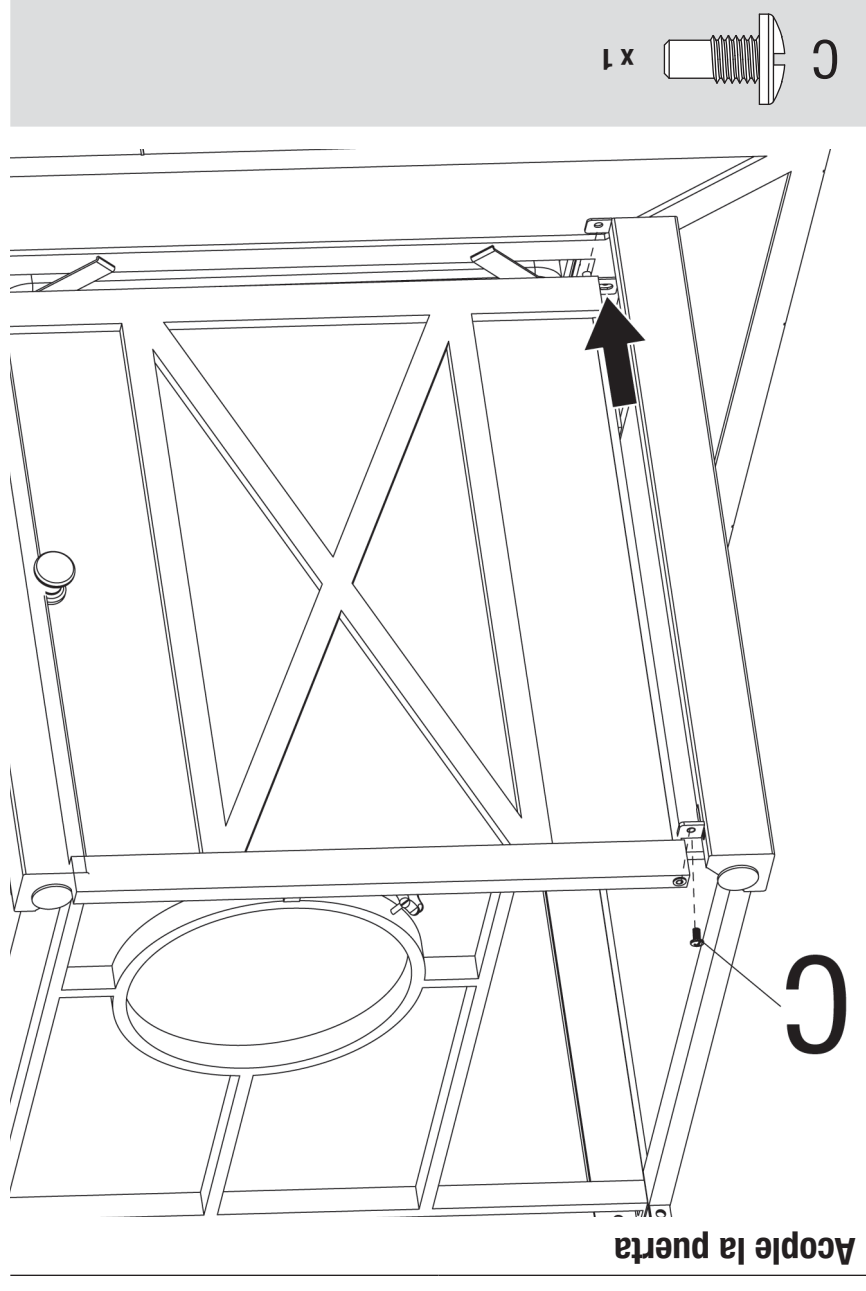
6



Coloque las leñas (vendidas por separado)

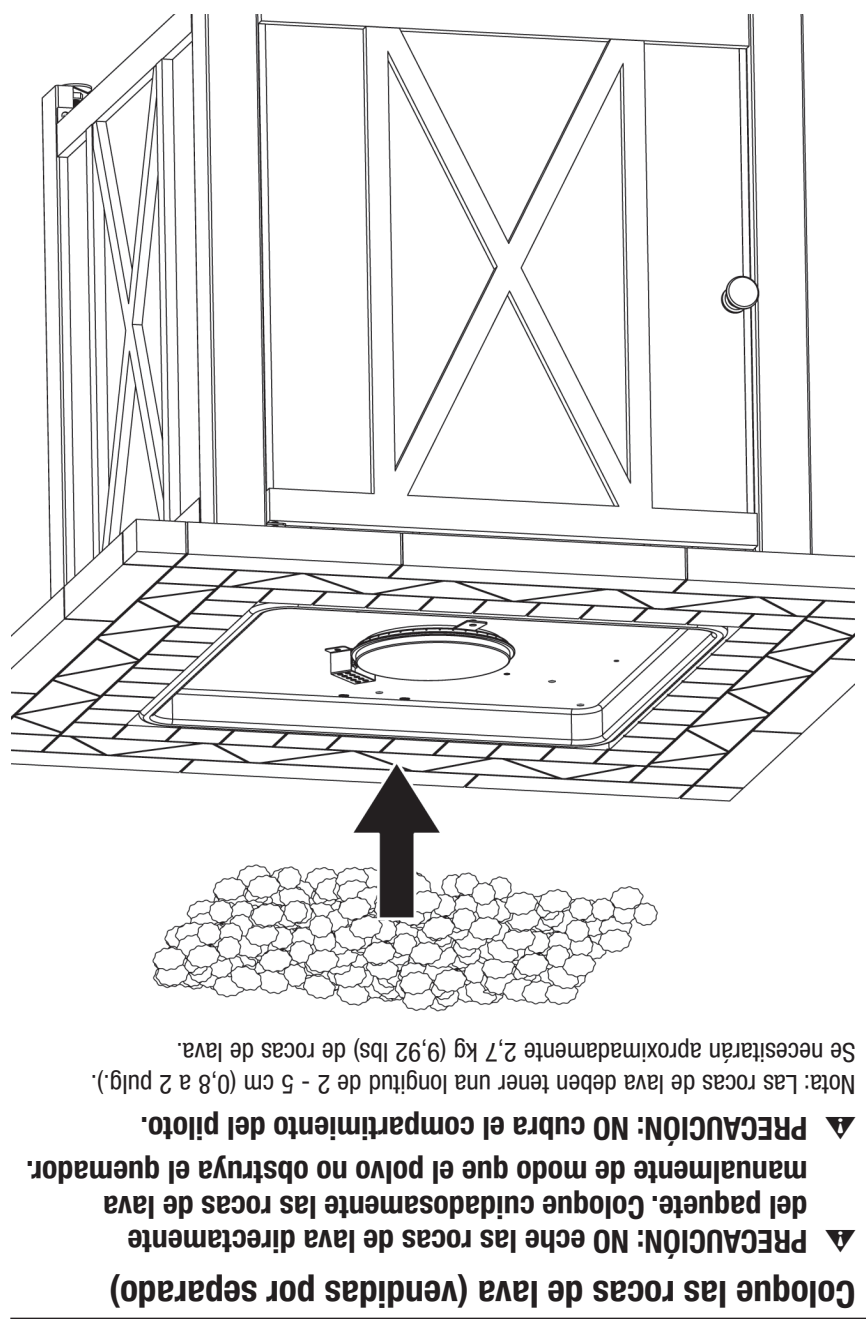
▲ **PRECAUCIÓN:** NO cubra el compartimiento del piloto.

8



Acople la puerta

5



Coloque las rocas de lava (vendidas por separado)

▲ **PRECAUCIÓN:** NO eche las rocas de lava directamente del paquete. Coloque cuidadosamente las rocas de lava manualmente de modo que el polvo no obstruya el quemador.

▲ **PRECAUCIÓN:** NO cubra el compartimiento del piloto.

Nota: Las rocas de lava deben tener una longitud de 2 - 5 cm (0,8 a 2 pulg.). Se necesitarán aproximadamente 2,7 kg (9,92 lbs) de rocas de lava.

7

? Necesita ayuda? Llame al 1.800.762.1142.

No vuelva al lugar de compra.

**Para piezas de repuesto, visite
parts.BlueRhino.com
1.800.762.1142**

1

NO DEVUELVA EL PRODUCTO AL LUGAR DE COMPRA.

Si necesita ayuda llame, sin cargo, al 1.800.762.1142. Por favor tenga a mano su manual y el modelo número de la unidad, para referencia.

Note: The model number is printed on a label which can be found on the inside door, back or side of the base assembly.

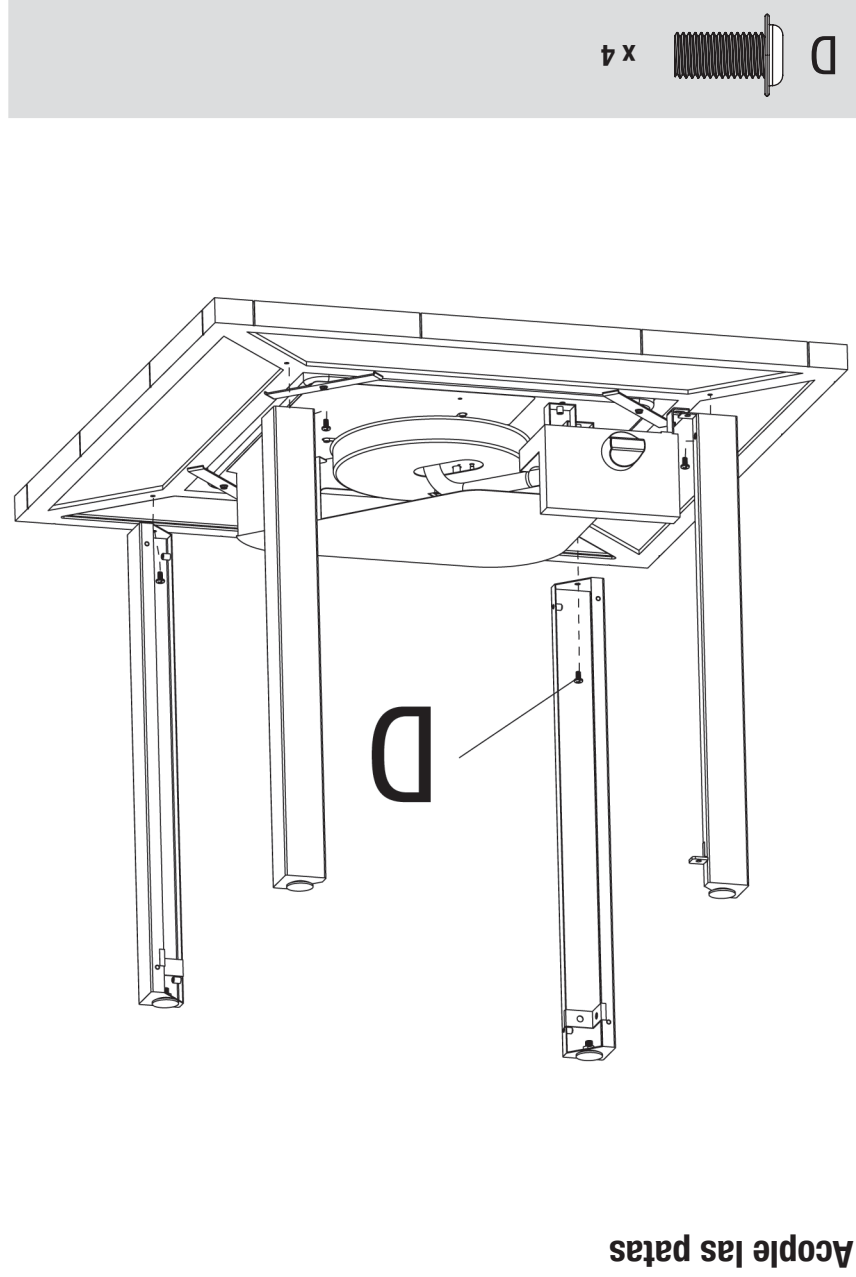
Para facilitar el armado:

1. Elija el lugar en el que armará este producto. Para proteger los componentes, elija una superficie lisa, sin fisuras ni hendijas.
2. Presente todas las piezas.
3. Ajuste todas las conexiones de los elementos de ferretería, primero en forma manual. Luego, después de completar cada paso, ajústelos por completo. Tenga cuidado de no ajustar demasiado. Se podrían dañar las superficies o forzar las roscas.
4. Para obtener mejores resultados, siga todos los pasos en el orden indicado.

Para terminar el armado de la unidad necesitará:

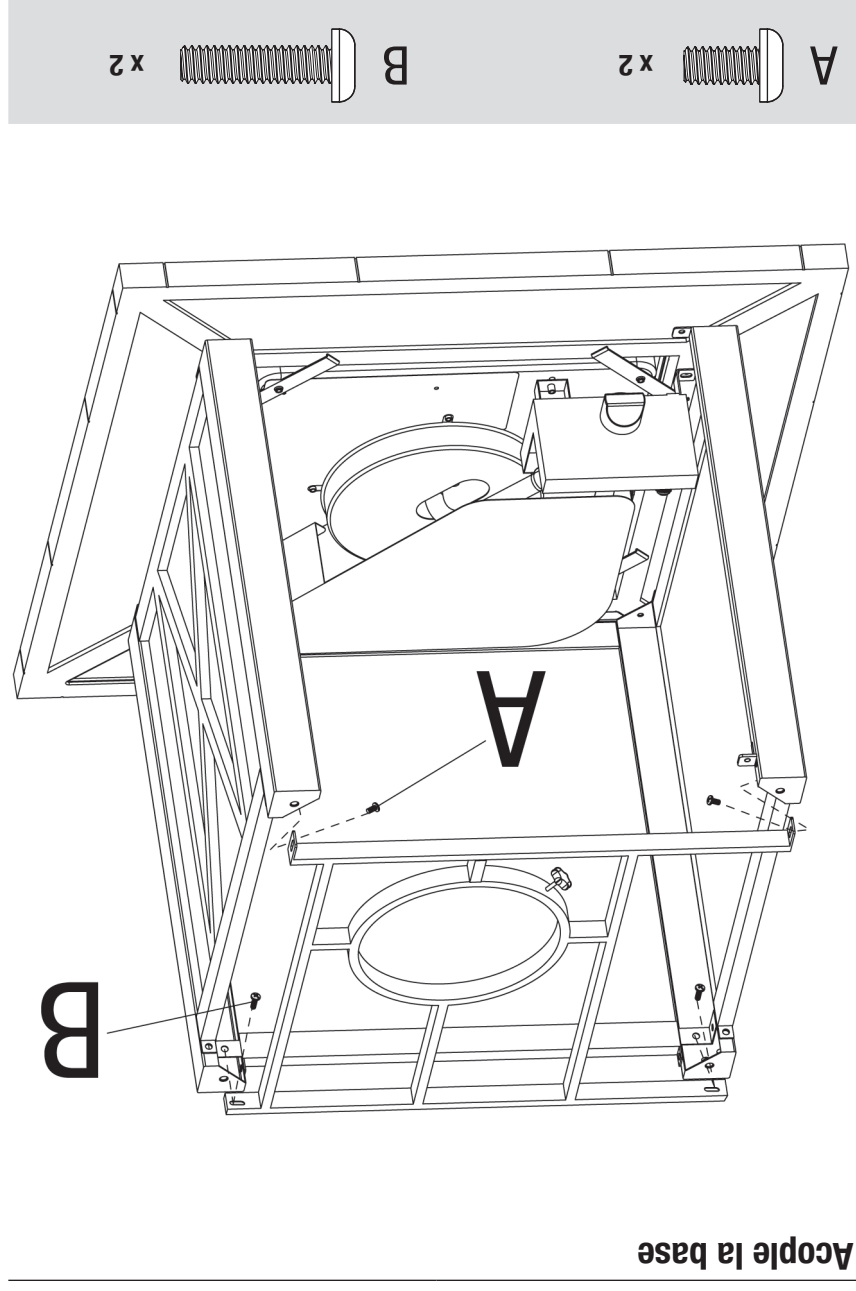
- una (1) solución para detección de fugas. Las instrucciones sobre cómo preparar esta solución se encuentran en la sección "Instrucciones de operación".
- un (1) un tanque de gas propano líquido, para Parrilla, llenado con precisión y con rosca externa Acme Tipo 1 para conexión de válvula (non incluidas).

Tiempo de armado estimado: una hora



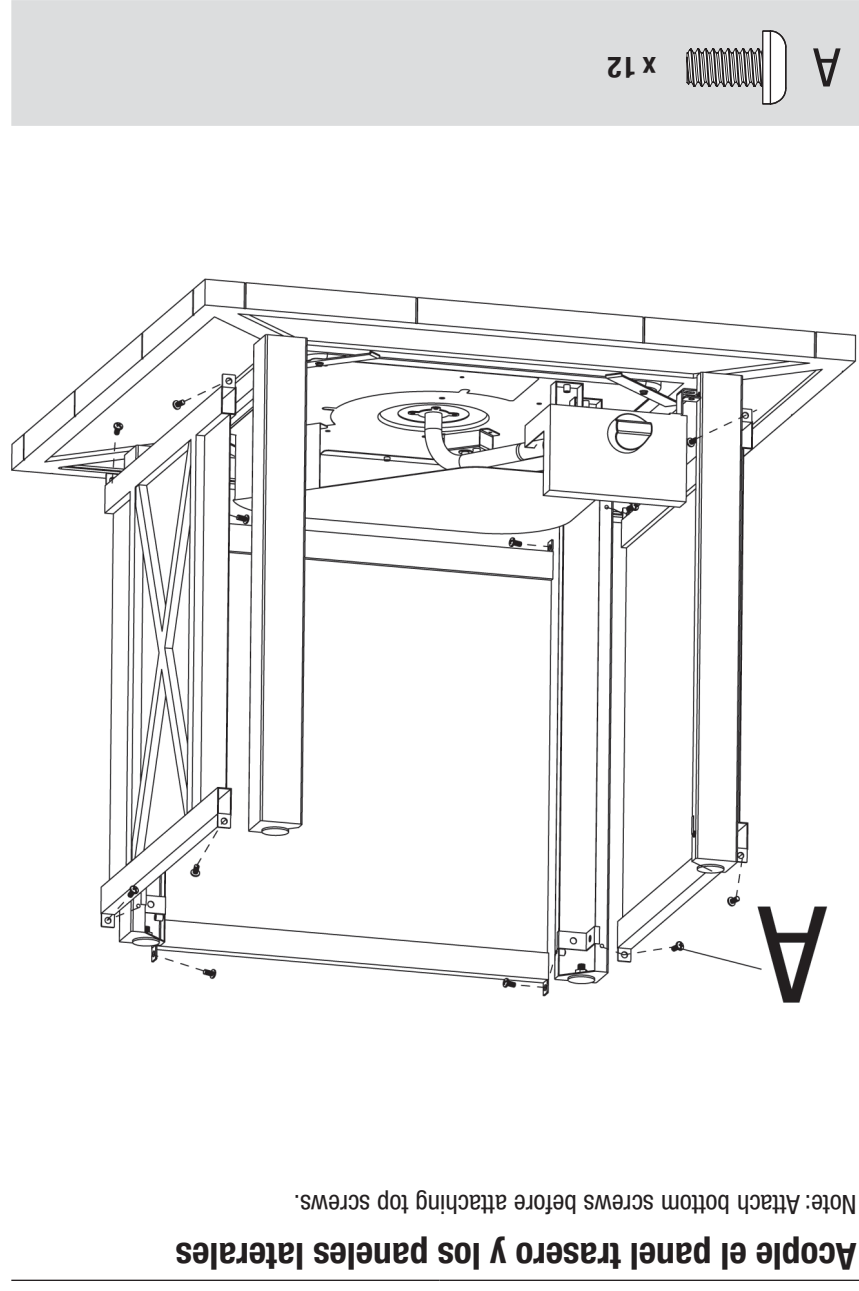
Acople las patas

2



Acople la base

4



Acople el panel trasero y los paneles laterales

3

Note: Attach bottom screws before attaching top screws.

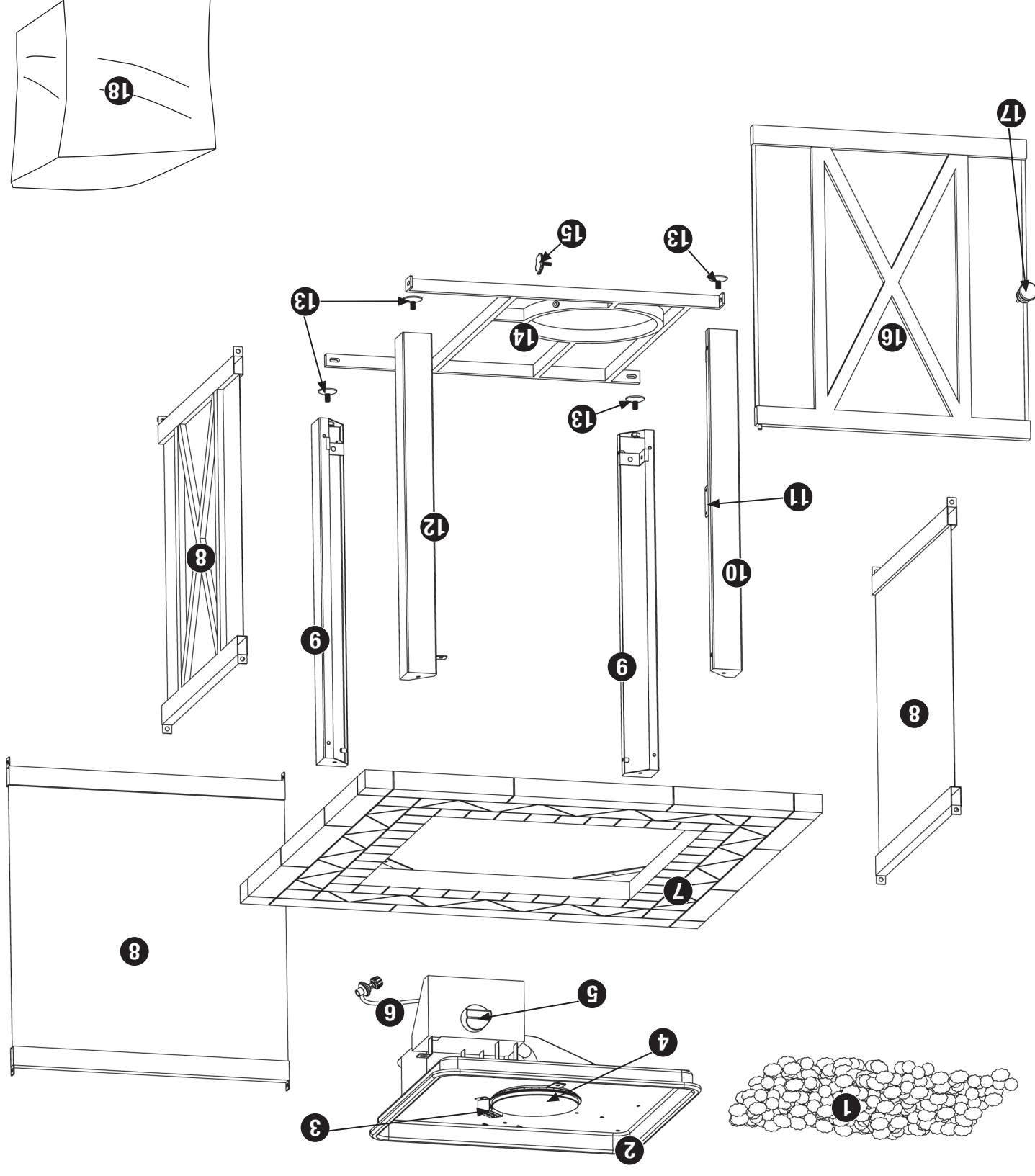
Chimenea para exteriores a gas propano líquido
Modelo no. GAD1417SP

Lista de piezas

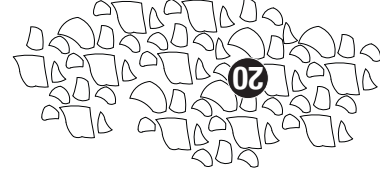
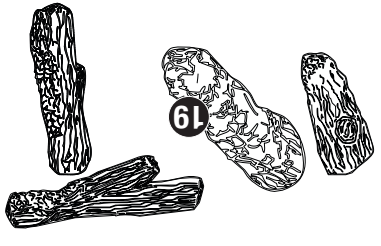
1	Rocas de lava	55-05-833
2	Carcasa*	58-23-136
3	Encendedor*	58-23-137
4	Quemador*	58-23-138
5	Perilla de control*	58-23-139
6	Regulador y manguera*	58-23-140
7	Hogar*	58-23-141
8	Panel lateral (3)	58-23-142
9	Pata A (2)	58-23-163
10	Pata B	58-23-164
11	Imán*	58-23-145
12	Pata C	58-23-166
13	Pie (4)*	58-23-147
14	Base	58-23-148
15	Perno de sujeción del tanque de propano*	58-23-149
16	Puerta	58-23-150
17	Manija de la puerta*	58-23-151
18	Tapa	58-23-159
19	Leños (vendidos por separado) †	
20	Rocas de lava (vendidas por separado) †	

* Viene ensamblado
 † Usar sólo con productos de Blue Rhino Global Sourcing, Inc.

Despíce



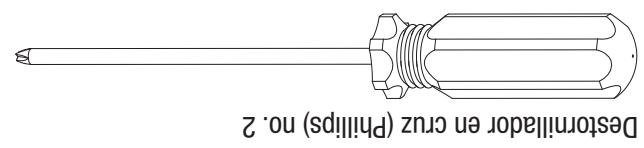
Vendidos por separado



Elementos de ferretería

A	Tornillo	Niquelado, negro de cabeza Phillips abombada, M5x12	4 pcs
B	Tornillo	Niquelado, negro de cabeza Phillips abombada, M5x20	2 pcs
C	Tornillo	Niquelado, de cabeza Phillips abombada, M6x12	1 pc
D	Tornillo	Niquelado, negro de cabeza Phillips abombada, M6x12	4 pcs

Herramientas necesarias para el armado (non incluidas)



1 pz

?Necesita ayuda? Llame al 1.800.762.1142.

No vuelva al lugar de compra.

Para piezas de repuesto, visite
parts.BlueRhino.com
1.800.762.1142

- ▲ NO queme trozos de madera, briquetas de carbón de leña, carbón, leños de madera aglomerada, madera de deriva, basura, hojas, cartón o pedazos de madera terciada en la chimenea para exteriores.
- ▲ Es fundamental mantener limpio el compartimiento de la válvula de la chimenea, los quemadores y los conductos de aire circulante. Inspeccione la chimenea para exteriores antes de cada uso.
- ▲ NO utilice la chimenea para exteriores a menos que esté completamente montada y que todas las piezas estén bien fijadas y apretadas.
- ▲ NO use esta chimenea para exteriores cerca de automóviles, camiones, furgones o vehículos recreativos o de recreo.
- ▲ NO use esta chimenea para exteriores debajo de aleros o cerca de construcciones combustibles que no estén debidamente protegidas.
- ▲ Evite usar la chimenea para exteriores cerca o debajo de árboles y arbustos.
- ▲ Coloque siempre la chimenea para exteriores sobre superficies firmes y niveladas no combustibles tales como las de hormigón, ladrillo o roca. Una superficie de asfalto o de pavimento puede que no sea adecuada para este propósito.
- ▲ NO utilice esta chimenea para exteriores para cocinar.
- ▲ NO use esta unidad si alguna parte ha quedado bajo agua. Llame inmediatamente a un técnico de servicio calificado para que inspeccione la unidad y para que reemplace cualquier parte o sistema de control y cualquier control de gas que haya estado bajo agua.
- ▲ NO use ropa inflamable o floja cuando usa la chimenea para exteriores.
- ▲ NO utilice la chimenea si hace mucho viento.
- ▲ NO se apoye sobre la chimenea para exteriores cuando la está encendiendo o usando.
- ▲ NO use esta chimenea para exteriores a menos que el quemador esté seguro en su lugar.
- ▲ Mantenga todos los cables eléctricos lejos de una chimenea para exteriores caliente.
- ▲ Ciertas partes de esta chimenea para exteriores se calentarán demasiado, evite el contacto. NO toque las piezas de la chimenea para exteriores hasta que se hayan enfriado completamente (alrededor de 45 minutos) para evitar quemaduras, a menos que usted tenga puestos elementos de protección tales como guantes o almohadilla para las ollas, guantes de barbacoa, etc.
- ▲ NO deje una chimenea para exteriores encendida sin vigilancia, especialmente, mantenga los niños y las mascotas lejos de la chimenea para exteriores en todo momento.
- ▲ Se debe informar a niños y adultos sobre los peligros de superficies calientes y deben mantenerse alejados para evitar quemaduras y el encendido de la ropa.
- ▲ Los niños pequeños deben ser vigilados constantemente cuando estén cerca a la unidad.
- ▲ NO cuelgue ni coloque ropa ni otros materiales inflamables sobre ni cerca de esta unidad.
- ▲ Cualquier guarda u otro equipo protector que se haya retirado para realizar el servicio de mantenimiento de la unidad deberá volverse a colocar en su lugar antes de poner en funcionamiento la unidad.
- ▲ Si corresponde, la cubierta protectora debe retirarse cuando el quemador esté funcionando.
- ▲ NO intente mover la chimenea para exteriores mientras esté encendida. Deje que la chimenea para exteriores se enfríe antes de moverla o guardarla.
- ▲ Esta chimenea para exteriores debe limpiarse y verificarse completamente de manera regular. Limpie y revise la manguera antes de cada uso del aparato. Si detecta alguna señal de abrasión, desgaste, cortes o fugas, deberá sustituir la manguera antes poner en marcha el aparato.
- ▲ Esta chimenea para exteriores debe ser inspeccionada por lo menos una vez al año por una persona de servicio certificada. Según el uso, es posible que se requiera una limpieza más frecuente. NO haga funcionar la unidad hasta que todas las piezas hayan sido reparadas o reemplazadas.
- ▲ Use únicamente el regulador y la manguera suministrados. Use únicamente el regulador y la manguera de repuesto especificados por Blue Rhino Global Sourcing, Inc.
- ▲ Use únicamente piezas autorizadas de fábrica de Blue Rhino Global Sourcing, Inc. El uso de cualquier pieza no autorizada de fábrica puede ser peligroso. Su uso invalidará su garantía.
- ▲ NO encienda esta unidad sin haber leído las "Instrucciones de operación" que se encuentran en este manual.
- ▲ El almacenamiento en interiores de esta chimenea para exteriores sólo está permitido si el tanque está desconectado, desmontado del aparato y guardado como es debido al aire libre.
- ▲ NO trate de desconectar el regulador de gas del tanque, o cualquier otro accesorio de la línea de gas, mientras esté usando la chimenea para exteriores.
- ▲ Si la chimenea para exteriores no está en uso, debe apagarse el gas en el tanque de suministro.
- ▲ El regulador de presión está establecido para una columna de agua de 11 pulgadas (28 cm).
- ▲ La máxima presión de gas de entrada de esta chimenea para exteriores es una columna de agua de 11 pulgadas (28 cm).
- ▲ Antes de probar la presión, cierre la válvula del tanque de gas propano líquido y desconecte el regulador de gas. El sistema de tubería del suministro de gas debe probarse a una presión igual o menor de ½ psi (3.5 kPa).
- ▲ NO se siente ni se pare sobre la repisa de la chimenea ni sobre ninguna parte de esta unidad.
- ▲ NO arroje nada al fuego cuando la unidad esté funcionando.
- ▲ Los leños, vidrio y roca de lava de la chimenea alcanzan temperaturas muy elevadas. Mantenga a los niños y mascotas a una distancia segura de esta unidad.
- ▲ La abertura del collar del tanque debe orientarse hacia el lado de la puerta para facilitar el acceso.
- ▲ NO guarde materiales combustibles en el compartimiento de la base.
- ▲ Por favor, use guantes de protección cuando esté armando este producto.
- ▲ No trate de forzar las piezas juntas pues esto puede ocasionar lesiones o dañar el producto.
- ▲ El no seguir exactamente las instrucciones dadas arriba puede producir daños a la propiedad, lesiones serias y hasta fatales.

Chimenea para exteriores a gas propano líquido

Modelo no. GAD1417SP

Salvaguardias importantes

▲ PELIGRO: El no seguir los avisos de peligro, las advertencias y las precauciones, puede ocasionar un incendio o una explosión, con sus consecuentes daños a la propiedad, lesiones personales y hasta accidentes fatales.

▲ ADVERTENCIAS :

▲ Este artefacto es para ser usado al aire libre únicamente y NO debe usarse dentro de un edificio, garaje o cualquier otra área cerrada. ▲ NO opere, encienda o use esta unidad a menos de diez (10) pies (3,05 m) de paredes, estructuras o edificaciones.

▲ Para uso residencial únicamente. Esta chimenea para exteriores NO ha sido diseñada para uso comercial.

▲ Esta chimenea para exteriores NO ha sido diseñada como calentador y nunca se la debe utilizar como tal. Gases TÓXICOS pueden acumularse y provocar la asfixia.

▲ Esta chimenea para exteriores cuenta con certificación de seguridad para uso en los Estados Unidos y Canadá solamente. NO debe modificarse para uso en ningún otro lugar. La modificación resultará en un peligro de seguridad y anulará la garantía.

▲ Habitantes de apartamentos: Comuníquese con la administración para obtener los requisitos y los códigos de incendio para uso de una chimenea para exteriores a gas propano líquido en su complejo de apartamentos. Si está permitido su uso, coloque la unidad en exteriores, sobre el suelo con una distancia de diez (10) pies (3 m) de paredes o barandas. No debe usarse en balcones ni debajo de estos.

▲ Esta chimenea para exteriores utiliza únicamente gas de propano líquido como combustible. El convertir o tratar de convertir esta chimenea para exteriores de gas propano líquido para ser usada con gas natural es peligroso e invalidará la garantía de la unidad.

▲ Características del propano líquido (PL):

a. El propano es inflamable y resulta peligroso si se manipula inadecuadamente. Antes de utilizar cualquier producto que emplee propano líquido, estudie detenidamente sus características.

b. El gas de propano líquido es explosivo bajo presión, más denso que el aire, se asienta y se acumula a poca altura.

c. En su estado natural, el propano no tiene ningún olor. Para su seguridad, se añade una esencia odorífera que huele a col podrida.

d. El contacto directo con el propano líquido puede causar quemaduras frías en la piel.

▲ Únicamente tanques marcados “Propano” pueden usarse en esta unidad.

a. El tanque de gas propano líquido (PL) debe estar fabricado y comercializado según las *Especificaciones para tanques de gas PL del Departamento de Transporte (DOT) de EE.UU. o del Estándar nacional de Canadá, CAN/CSA-B339 sobre tanques, esteras y tubos para el transporte de mercancías peligrosas si aplicable.*

b. Verifique que el tanque de propano cuenta con mecanismo de extracción de vapor.

c. El tanque de gas propano líquido debe tener un dispositivo que evite el sobrellenado del tanque (OPD) y una conexión rápida o una conexión Tipo I (CGA810) para tanque de gas propano.

d. No utilice nunca un tanque de propano líquido si el cuerpo no tiene collar para proteger la válvula.

e. No utilice nunca un tanque de propano líquido si el cuerpo, la válvula, el collar o el anillo interior presentan algún daño.

f. Los tanques de propano líquido abollados u oxidados pueden ser peligrosos y deberían ser revisados por su proveedor de gas PL antes de utilizarlos.

g. No deje caer el tanque de gas propano líquido ni la manija bruscamente.

h. Los tanques de propano deben almacenarse en exteriores, en un lugar al aire libre siempre fuera del alcance de los niños y nunca en un garaje, edificio o espacio cerrado. Nunca almacene tanques de gas en un lugar en el que la temperatura supere los 125°F (51,5°C).

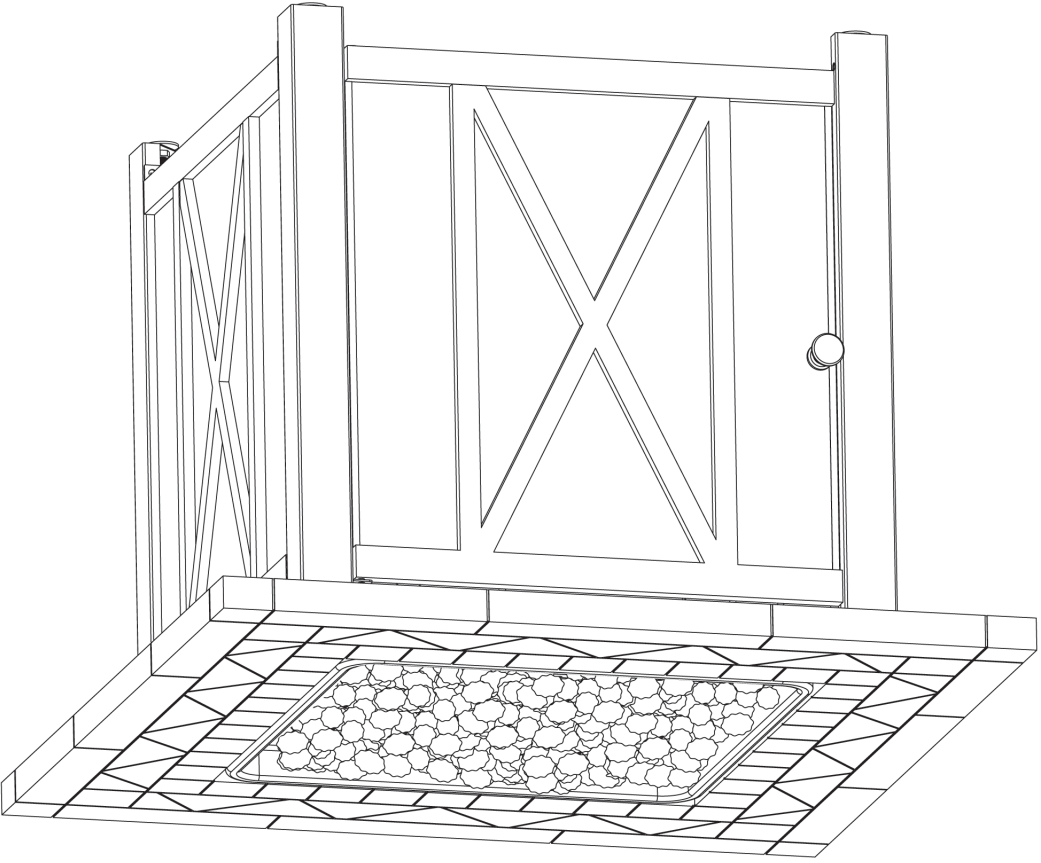
i. NO inserte ninguna herramienta ni objeto extraño en la salida de la válvula ni en la válvula de seguridad. Podría dañar la válvula y causar una fuga. Una fuga de gas propano puede resultar en explosión, incendio, lesiones personales graves o la muerte.

- j. No ponga nunca un tanque de gas propano lleno en un carro o camioneta calientes. El calor podría hacer que la presión del gas aumentase, lo que abriría la válvula de seguridad y haría que se escapase el gas.
- k. Ponga la tapa contra el polvo en la válvula de salida del tanque cuando no lo esté usando. Únicamente use la tapa contra el polvo que viene con la válvula del tanque. Otros tipos de tapones o tapas pueden crear fugas del propano.
- l. Nunca guarde un tanque adicional de propano debajo o cerca de esta chimenea para exteriores.
- m. Nunca llene el tanque más allá de 80% de su capacidad.
- n. El no seguir exactamente las instrucciones dadas arriba puede producir un incendio con daños a la propiedad, lesiones serias y hasta fatales.
- ▲ Todas las conexiones de gas de su chimenea para exteriores han sido verificadas en fábrica en cuanto a fugas de gas. Sin embargo, vuelva a probar la integridad de todas las conexiones como se indica en las “Instrucciones de operación” ya que el movimiento en transporte puede aflojar algunas de ellas.
- ▲ Verifique que no haya fugas aun si el aparato ha sido armado por otra persona.
- ▲ NO opere la unidad si hay una fuga de gas. Las fugas de gas pueden provocar un fuego o una explosión.
- ▲ Antes de operar esta unidad, debe observar todos los procedimientos para verificar que no hay fugas de gas. Para evitar cualquier riesgo de fuego o de explosión al comprobar si hay fugas:
 - a. Compruebe siempre si hay fugas antes de encender la chimenea para exteriores cada vez que el tanque de gas está conectado.
 - b. No fume. NO use o permita fuentes de ignición en el área al comprobar si hay fugas.
 - c. Siempre compruebe si hay fugas en exteriores donde hay una buena ventilación.
 - d. NO use cerillas, encendedores o una llama para comprobar si hay fugas.
 - e. El uso de bebidas alcohólicas, medicamentos o drogas de farmacia puede afectar la habilidad del usuario para armar debidamente u operar en forma segura este artefacto.
 - f. Los olores fuertes, los resfrios, la congestión de los senos nasales, etc. pueden evitar la detección del gas propano. Tenga cuidado y sentido común al hacer pruebas para detectar fugas.
 - g. NO use la chimenea para exteriores hasta que todas las fugas hayan sido reparadas. Si no puede parar una fuga, desconecte el tanque de propano. Llame a un técnico de servicio de artefactos a gas o a su proveedor de propano local.
- ▲ NO guarde o use gasolina u otros líquidos o vapores inflamables a menos de 25 pies (7,6 m) de esta unidad.
- ▲ NO utilice este artefacto en una atmósfera explosiva. Mantenga la zona de la chimenea para exteriores libre de materiales combustibles, gasolina y cualquier otro vapor o líquido inflamable.
- ▲ Los niños NO deben usar esta chimenea para exteriores.
- ▲ NO instale o utilice esta chimenea para exteriores en embarcaciones o vehículos recreativos (RV).
- ▲ NO conecte esta unidad a un suministro de gas remoto.
- ▲ No intente nunca acoplar esta chimenea para exteriores al sistema de propano de un campero, de una casa móvil o de su propia casa.
- ▲ Observe siempre y use la unidad cumpliendo todos los códigos de incendio aplicables, locales y nacionales. Obtenga de su Departamento de Incendios local detalles en cuanto a quemas al aire libre.
- ▲ Al usar esta chimenea para exteriores, observe las mismas precauciones que merece cualquier fuego abierto.
- ▲ NO encienda esta chimenea para exteriores sin haber leído completamente todas las instrucciones de este manual del usuario.

MANUAL DEL USUARIO

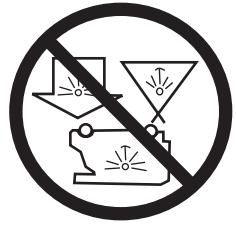
Chimenea para exteriores a gas propano líquido

Modelo no. GAD1418M



PELIGRO DE MONÓXIDO DE CARBONO

- Este producto puede producir monóxido de carbono, el cual no emite ningún olor.
- Usarlo en espacios cerrados puede causar la muerte.
- Nunca use este producto en un espacio cerrado tal como un campero, una carpa o en su casa.



PELIGRO

ADVERTENCIA
PARA SU SEGURIDAD:

Solamente para uso en exteriores (fuera de cualquier recinto)
No usar para cocinar.

- ▲ Si no se siguen exactamente las instrucciones descriptas en este manual, puede causarse un incendio o explosión, así como daños materiales, lesiones personales o la muerte.
- ▲ **QUE HACER SI SIENTE OLOR A GAS:**
 - No trate de encender ningún artefacto.
 - No toque ningún interruptor eléctrico; no use el teléfono en su edificio.
 - Inmediatamente llame a su proveedor de gas desde el teléfono de un vecino.
 - Siga las instrucciones del proveedor de gas. Si no puede contactar a su proveedor de gas, llame a los bomberos
- ▲ La instalación y el servicio debe realizarla un instalador, agencia de servicio o proveedor de gas calificado.
- ▲ Guarde estas instrucciones para futura referencia.
- ▲ Si está montando esta unidad para otra persona, entreguele este manual para futuras consultas.

ADVERTENCIA
PARA SU SEGURIDAD:

ADVERTENCIA
PARA SU SEGURIDAD:

Una instalación, ajuste, alteración, reparación o mantenimiento inadecuados pueden causar lesiones o daños a la propiedad.

▲ Lea atentamente las instrucciones de instalación, funcionamiento y mantenimiento del equipo antes de instalarlo, ponerlo en marcha o darle servicio.

PELIGRO

Si huele a gas:

1. Cierre la entrada de gas al aparato.
2. Apague cualquier llama activa.
3. Si el olor persiste, manténgase alejado del aparato y llame inmediatamente a su proveedor de gas o al departamento de bomberos.

ADVERTENCIA
PARA SU SEGURIDAD:

1. No guarde o use gasolina u otros líquidos o vapores inflamables cerca de esta unidad o de cualquier otro aparato.
2. Un tanque de propano líquido que no esté conectado para su uso no se debe almacenar cerca de éste o cualquier otro aparato.

PELIGRO

Nunca deje este artefacto encendido sin vigilancia.

Salvaguardias importantes Página 2

Despiece y elementos de ferreteria 4

Instrucciones de armado 7

Instalación del tanque de gas propano líquido (PL) 7

Instrucciones de operación 7

Limpieza y cuidado 8

Registro del producto 8

Piezas de repuesto 8

Garantía limitada 9

Resolución de problemas 10

El uso e instalación de este producto ha de realizarse de acuerdo con los códigos locales. Si no existen códigos locales, use las normas siguientes: *National Fuel Gas Code (Código Nacional de Gas Combustible)*, *ANSI Z223.1/NFPA 54 o International Fuel Gas Code (Código Internacional de Gas Combustible)*. Al instalarse este producto, la conexión eléctrica a tierra debe hacerse de conformidad con los códigos locales o en ausencia de los códigos locales, el *Código Eléctrico Nacional, ANSI/NFPA 70*, si corresponde.

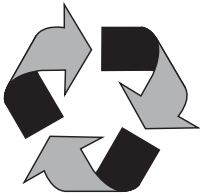
ESTE MANUAL DE INSTRUCCIONES CONTIENE INFORMACIÓN IMPORTANTE SOBRE LA SEGURIDAD. POR FAVOR, LEALO Y CONSERVELO PARA FUTURAS CONSULTAS.

Si está montando esta unidad para otra persona, entreguele este manual para futuras consultas. Propuesta 65 de California: La combustión del propano al usar esta unidad crea productos químicos considerados por el Estado de California como causantes de cáncer, malformaciones congénitas u otros daños reproductivos.

Propuesta 65 de California: Lavarse las manos después de manipular este producto. Propuesta 65 de California: La manipulación de las piezas de bronce de este producto genera exposición al plomo, un elemento químico que el Estado de California ha determinado que produce cáncer, defectos de nacimiento u otros daños reproductivos.



Fabricado en China para: Blue Rhino Global Sourcing, Inc
Winston-Salem, NC EE.UU. • 1.800.762.1142 • BlueRhino.com
© Blue Rhino Global Sourcing, Inc.



Hecho con 75% de bagazo de caña (subproducto de la caña de azúcar respetuoso del medio ambiente)

GAD1417SP-ES-0M-F106