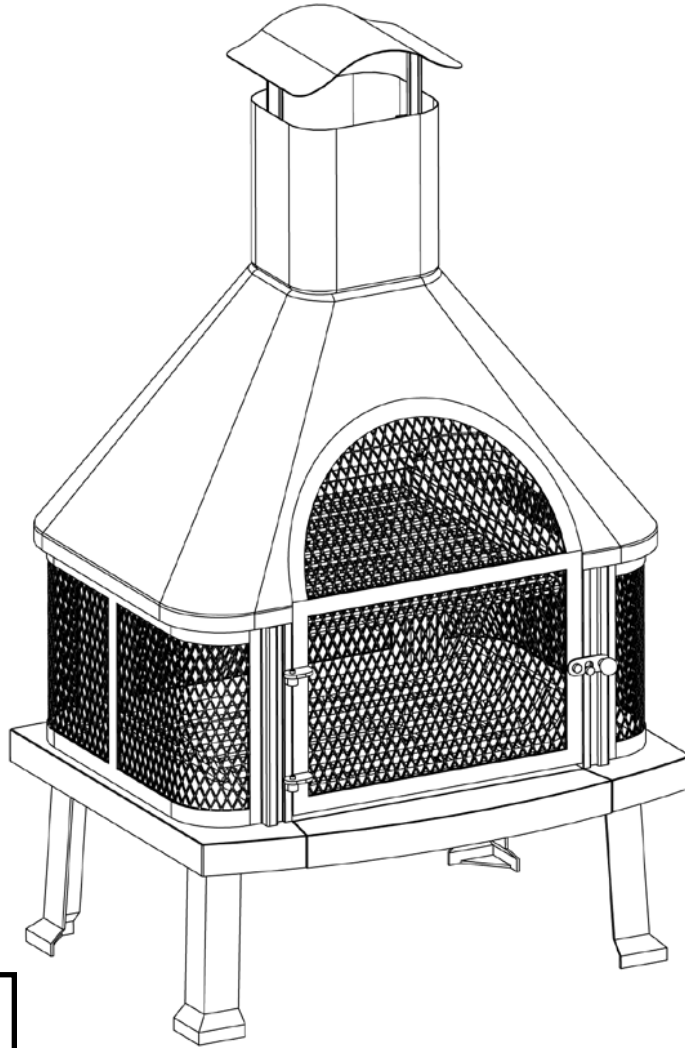



WOOD BURNING OUTDOOR FIREPLACE

WITH BLACK FINISH


Model No. WAF1013ES



 **WARNING**
FOR YOUR SAFETY:
For Outdoor Use Only
(outside any enclosure)

 **WARNING**
FOR YOUR SAFETY:

1. Improper installation, adjustment, alteration, service or maintenance can cause injury or property damage.
2. Read the installation, operation, and maintenance instructions thoroughly before installing or servicing this equipment.
3. Failure to follow these instructions could result in fire or explosion, which could cause property damage, personal injury, or death.
4. This instruction manual contains important information necessary for the proper assembly and safe use of the appliance.
5. Read and follow all warnings and instructions before assembling and using the appliance.
6. Follow all warnings and instructions when using the appliance.
7. Keep this manual for future reference.

 **WARNING**
FOR YOUR SAFETY:
Do NOT store or use gasoline or other flammable liquids or vapors in the vicinity of this or any other appliance.

 **DANGER**
Never operate this appliance unattended.

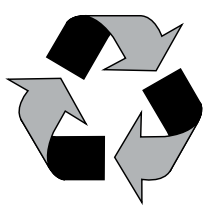
Table of Contents

Important Safeguards	Page 2
Expanded View & Hardware	3
Assembly Instructions	4
Operating Instructions	6
Cleaning and Care	6
Product Registration	6
Replacement Parts	6
Limited Warranty	6

THIS INSTRUCTION BOOKLET CONTAINS IMPORTANT SAFETY INFORMATION. PLEASE READ AND KEEP FOR FUTURE REFERENCE.

If you are assembling this unit for someone else, give this manual to them to read and save for future reference.

⚠ WARNING: Inhalation of wood dust is known to the State of California to cause cancer. Burning wood results in emissions that can expose you to chemicals including carbon monoxide, soot, smoke, and other combustion by-products, which are known to the state of California to cause cancer, birth defects or other reproductive harm, and/or other adverse health effects. For more information go to www.P65Warnings.ca.gov.



Made from 75% Bagasse
(environmentally friendly sugar
cane pulp by-product)

Important Safeguards

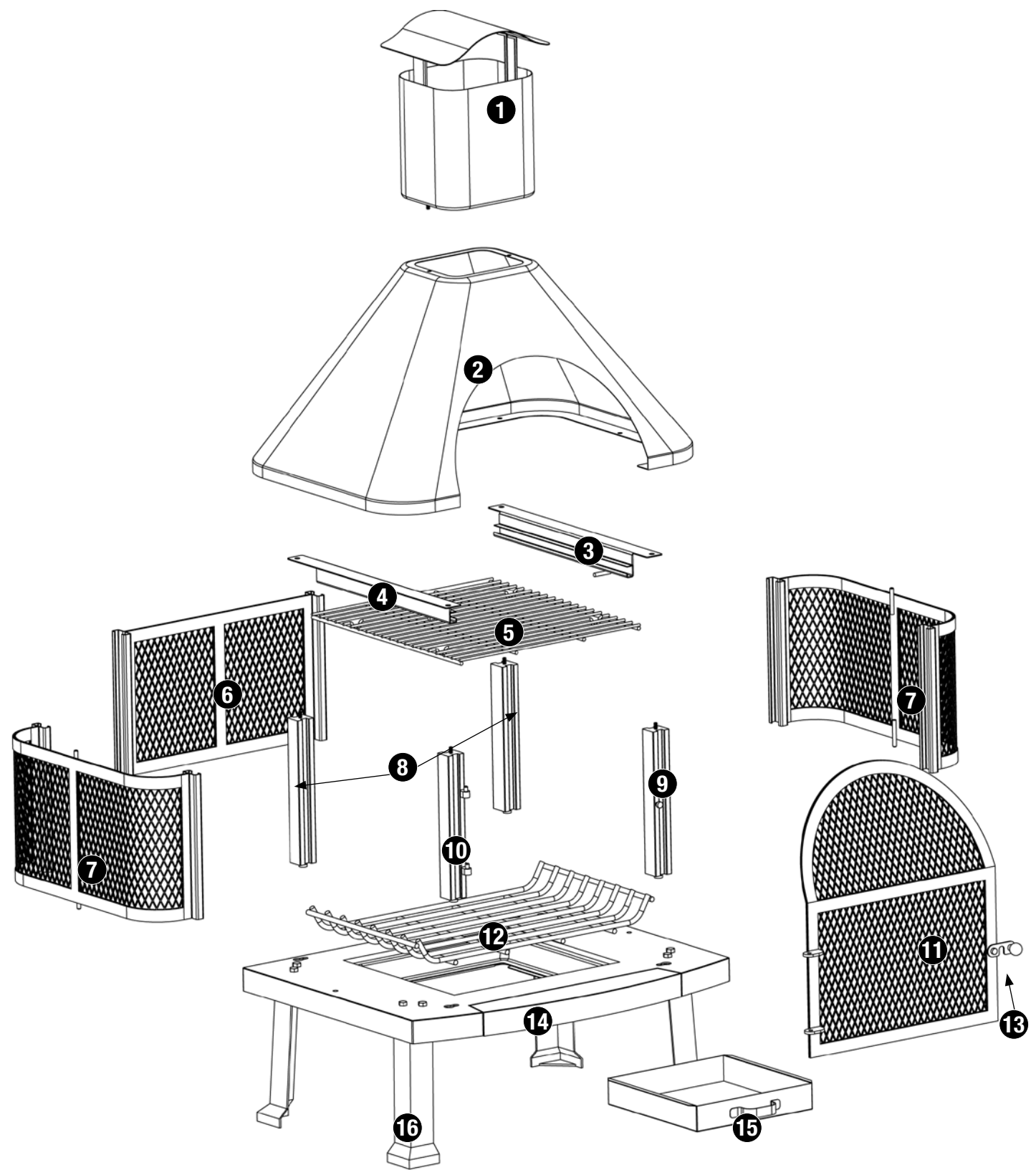
- ⚠ **DANGER:** Failure to follow the dangers, warnings and cautions in this manual may result in serious bodily injury or death, or in a fire or an explosion causing damage to property.
-
- ⚠ **WARNINGS:**
 - ⚠ Do NOT use this outdoor fireplace without reading the entire owner's manual.
 - ⚠ This appliance is for outdoor use only, and should NOT be used in a building, garage or any other enclosed area.
 - ⚠ Do NOT use this outdoor fireplace for indoor heating. TOXIC carbon monoxide fumes can accumulate and cause asphyxiation.
 - ⚠ This outdoor fireplace is NOT for commercial use.
 - ⚠ This outdoor fireplace is safety certified for use in the United States and Canada only. Do NOT modify for use in any other location. Modification will result in a safety hazard and will void the warranty.
 - ⚠ This outdoor fireplace is NOT to be operated by children.
 - ⚠ Do NOT operate, light or use this appliance within ten (10) feet (3.05 m) of walls, structures or buildings.
 - ⚠ Do NOT store or use gasoline, or any other flammable vapors or liquids within twenty-five (25) feet (7.62 m) of this or any other appliance.
 - ⚠ Do NOT use in an explosive atmosphere. Keep outdoor fireplace area clear and free from combustible materials, gasoline and other flammable liquids.
 - ⚠ Apartment dwellers: Check with management to learn the requirements and fire codes for using an outdoor fireplace in your apartment complex. If allowed, use outside on the ground floor with a ten (10) foot (3.05 m) clearance from walls or rails. Do NOT use on or under balconies.
 - ⚠ Always use in accordance with all applicable local, state and national codes. Contact your local fire department for details on outdoor burning.
 - ⚠ When using this outdoor fireplace, exercise the same precautions you would with any open fire.
 - ⚠ This outdoor fireplace is NOT to be used in or on boats or recreational vehicles.
 - ⚠ Do NOT use this outdoor fireplace under any overhead or near any unprotected combustible constructions. Avoid using near or under overhanging trees and shrubs.
 - ⚠ This outdoor fireplace is designed for use with dry, seasoned hardwood. It will burn hotter, more completely and create less smoke.
 - ⚠ Do NOT burn charcoal briquettes, lump charcoal, manufactured logs, driftwood, trash, leaves, paper, cardboard, plywood, painted, stained or pressure-treated wood. Avoid using softwoods such as pine or cedar, which can throw sparks.
 - ⚠ Do NOT use gasoline, kerosene, diesel fuel, lighter fluid or alcohol to light or relight fires.
 - ⚠ Do NOT alter this outdoor fireplace in any manner. Any alteration will void your warranty.
 - ⚠ Do NOT use this outdoor fireplace until it is COMPLETELY assembled and all parts are securely fastened and tightened.
 - ⚠ The use of alcohol, prescription or non-prescription drugs may impair the consumer's ability to properly assemble and/or safely operate this outdoor fireplace.
 - ⚠ Do NOT use this outdoor fireplace near automobiles, trucks, vans or recreational vehicles.
 - ⚠ Always use this outdoor fireplace on a hard, level, non-combustible surface such as concrete, rock or stone. An asphalt or blacktop surface may not be acceptable for this purpose. Do NOT use on wooden decks.
 - ⚠ Do NOT wear flammable or loose clothing when operating this outdoor fireplace.
 - ⚠ Do NOT use in windy conditions.
 - ⚠ Do NOT lean over this outdoor fireplace when lighting or while in use.
 - ⚠ Do NOT use this outdoor fireplace unless spark guard(s) are securely in place.
 - ⚠ Keep all electrical cords away from a hot fireplace.
 - ⚠ All surfaces of this outdoor fireplace are hot when in operation. To avoid burns, do NOT touch fireplace until it has completely cooled (about 45 minutes) unless you are wearing protective gear (potholders, gloves, BBQ mittens, hot pads, etc.). Never touch ashes or embers to see if they are hot.
 - ⚠ Do NOT leave a lit outdoor fireplace unattended, especially around children and pets.
 - ⚠ Always empty this outdoor fireplace before each use.
 - ⚠ Do NOT attempt to move or store this outdoor fireplace until all ashes and embers are completely extinguished.
 - ⚠ Do NOT remove ashes or embers until they are completely and fully extinguished and the outdoor fireplace has completely cooled.
 - ⚠ Do NOT place wood directly into the bottom of the outdoor fireplace. Place wood only on the wood grate provided.
 - ⚠ Do NOT overload the fireplace. Do NOT add additional firewood until the fire burns down. NOTICE: If any portion of the bowl, lid or spark guard(s) of this outdoor fireplace are glowing red, it is overloaded.
 - ⚠ Do NOT place a hot spark guard or hot fireplace tools onto combustible surfaces such as grass, wooden deck or furniture.
 - ⚠ Avoid breathing smoke from the fire and avoid getting it into your eyes.
 - ⚠ This outdoor fireplace should be thoroughly inspected and cleaned on a regular basis.
 - ⚠ After a period of storage and/or non-use, check for signs of damage and creosote build-up. Do NOT operate until necessary repairs and/or cleanup are executed.
 - ⚠ Do NOT use oven cleaner or other abrasive cleaners as they will damage this product.
 - ⚠ Do NOT clean any part of this outdoor fireplace in a self-cleaning oven as it may damage the finish.
 - ⚠ Use only Mr. Bar-B-Q Products LLC factory-authorized parts. The use of any part that is not factory authorized can be dangerous and will void your warranty.
 - ⚠ Use heat-resistant gloves or hot pads when touching handles.
 - ⚠ Use long, sturdy fireplace tools when adding or moving logs.
 - ⚠ Use protective gloves when assembling this product.
 - ⚠ Do NOT force parts together as this can result in personal injury or damage to this product.
 - ⚠ Deaths, serious injury or damage to property may occur if the above is not followed exactly.

Parts List

1	Top	58-24-460-I
2	Hood	58-24-461-I
3	Cooking Grid Support A	58-24-462-I
4	Cooking Grid Support B	58-24-463-I
5	Cooking Grid	58-24-464-I
6	Back Spark Guard	58-24-465-I
7	Side Spark Guard (2)	58-24-466-I
8	Back Rail (2)	58-24-467-I
9	Door Rail A	58-24-468-I
10	Door Rail B	58-24-469-I
11	Spark Guard Door	58-24-470-I
12	Fireplace Grate	58-24-471-I
13	Spark Guard Door Handle*	58-24-472-I
14	Base	58-24-473-I
15	Ash Receiver	58-24-474-I
16	Leg (4)	58-24-475-I

* Pre-assembled

Expanded View



Hardware 55-05-117-I

A	Wing Nut	ø5 Black Nickel Plated	6 pcs
----------	----------	------------------------	-------

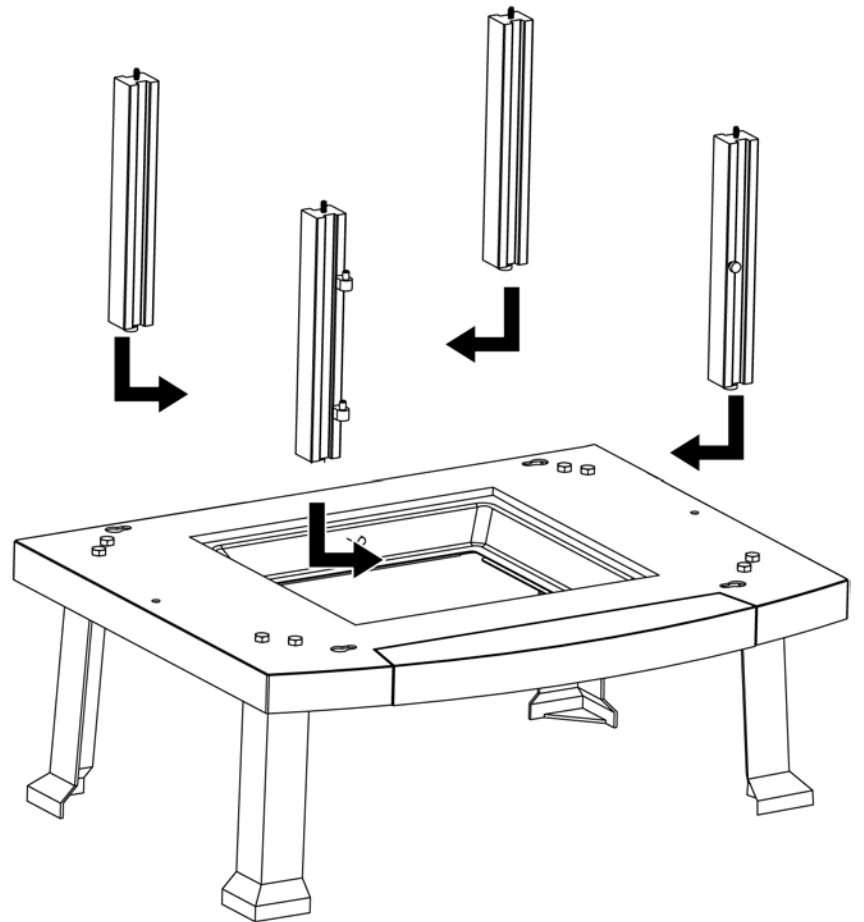
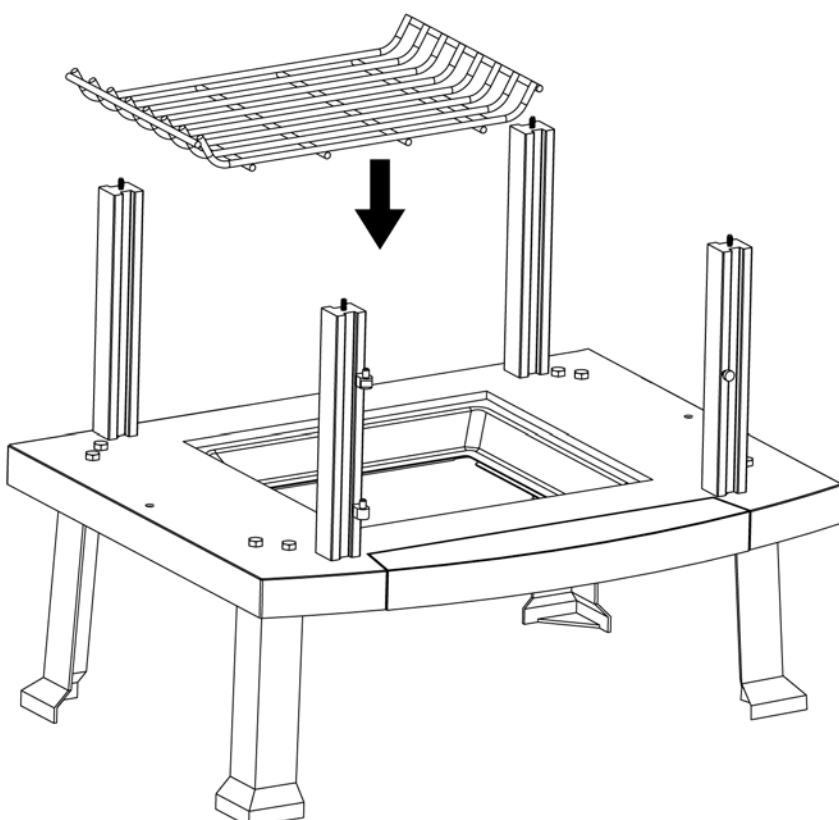
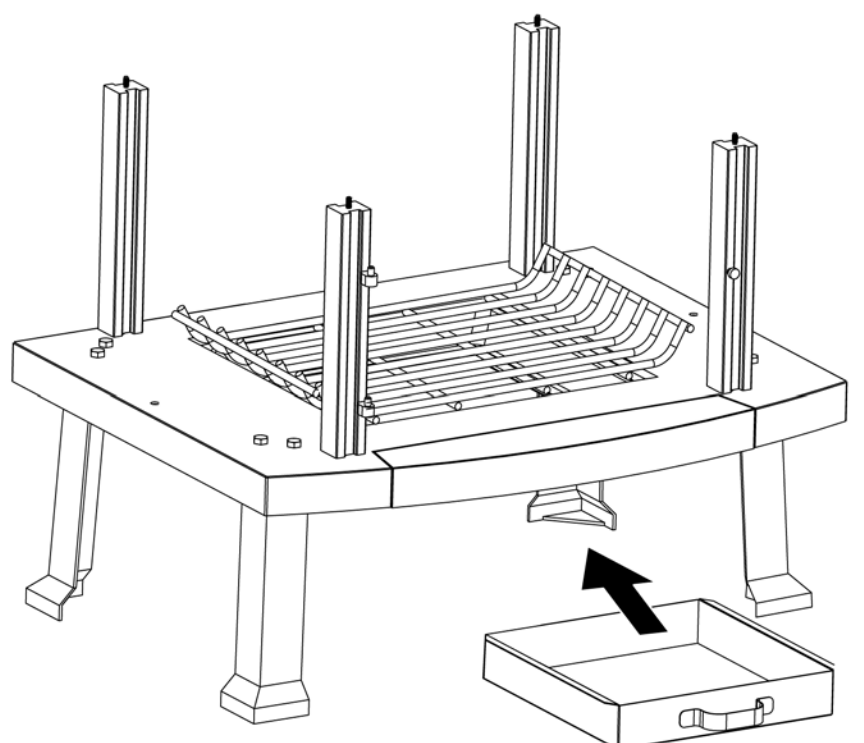
Assembly Instructions
1
DO NOT RETURN TO PLACE OF PURCHASE.

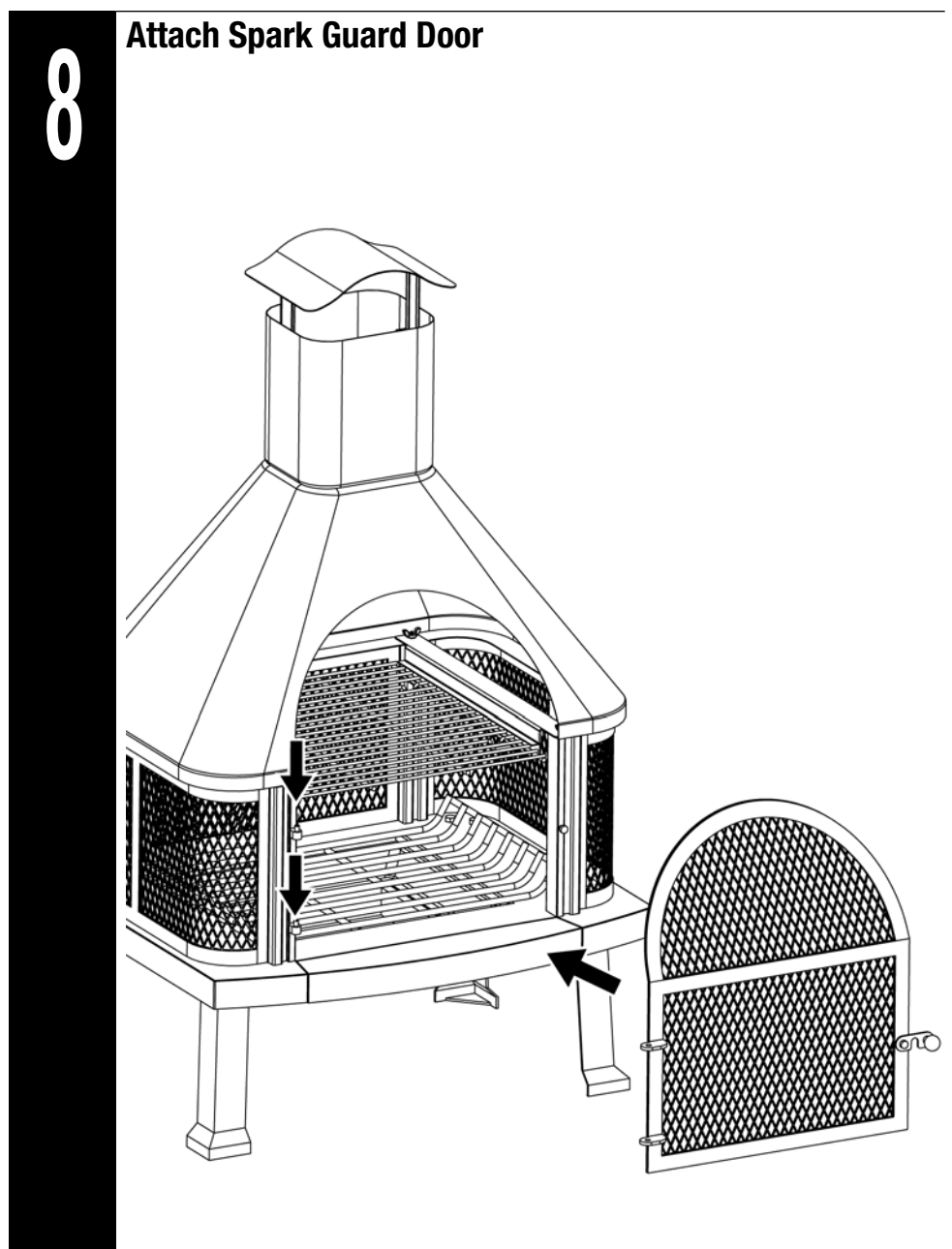
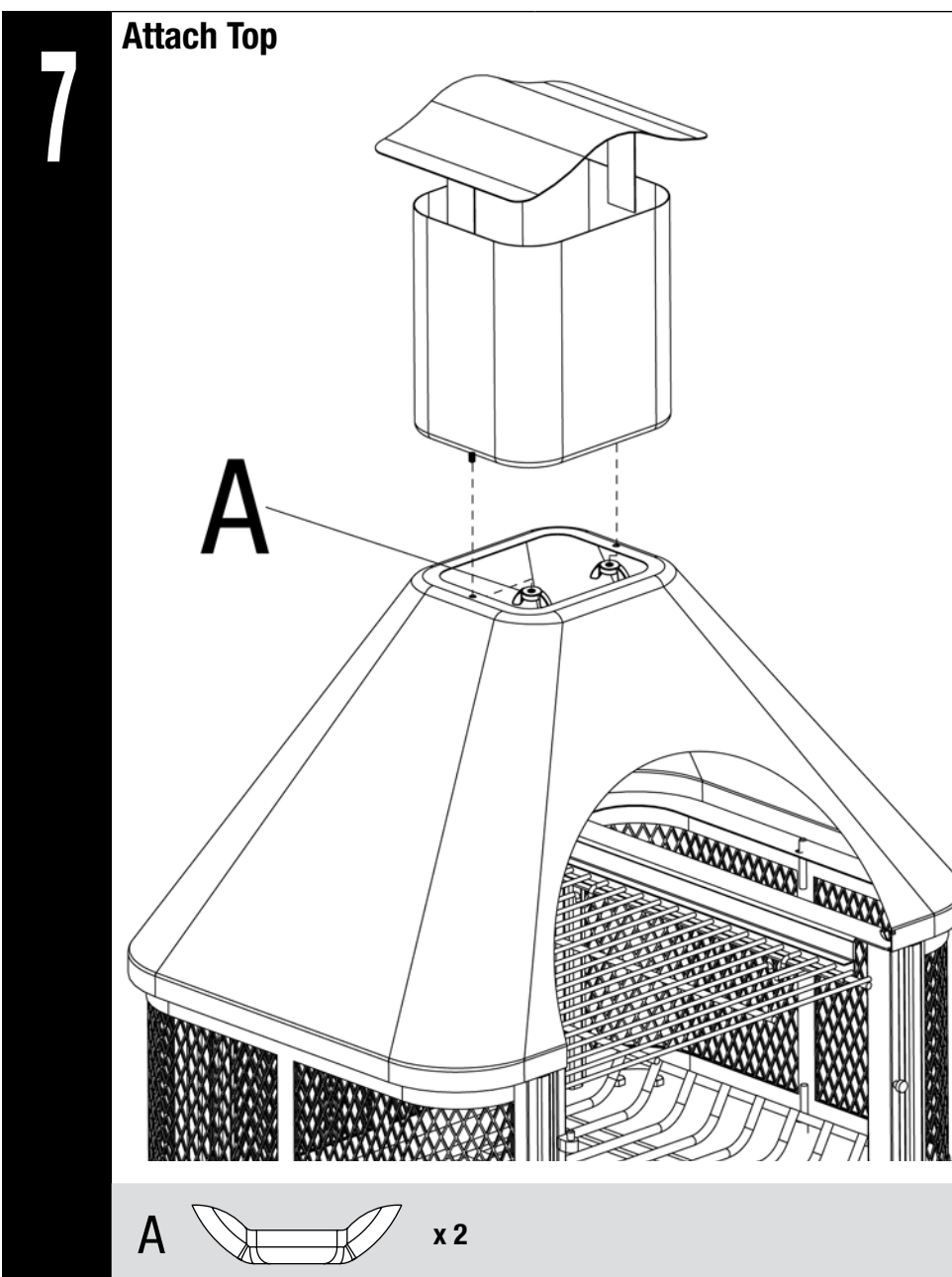
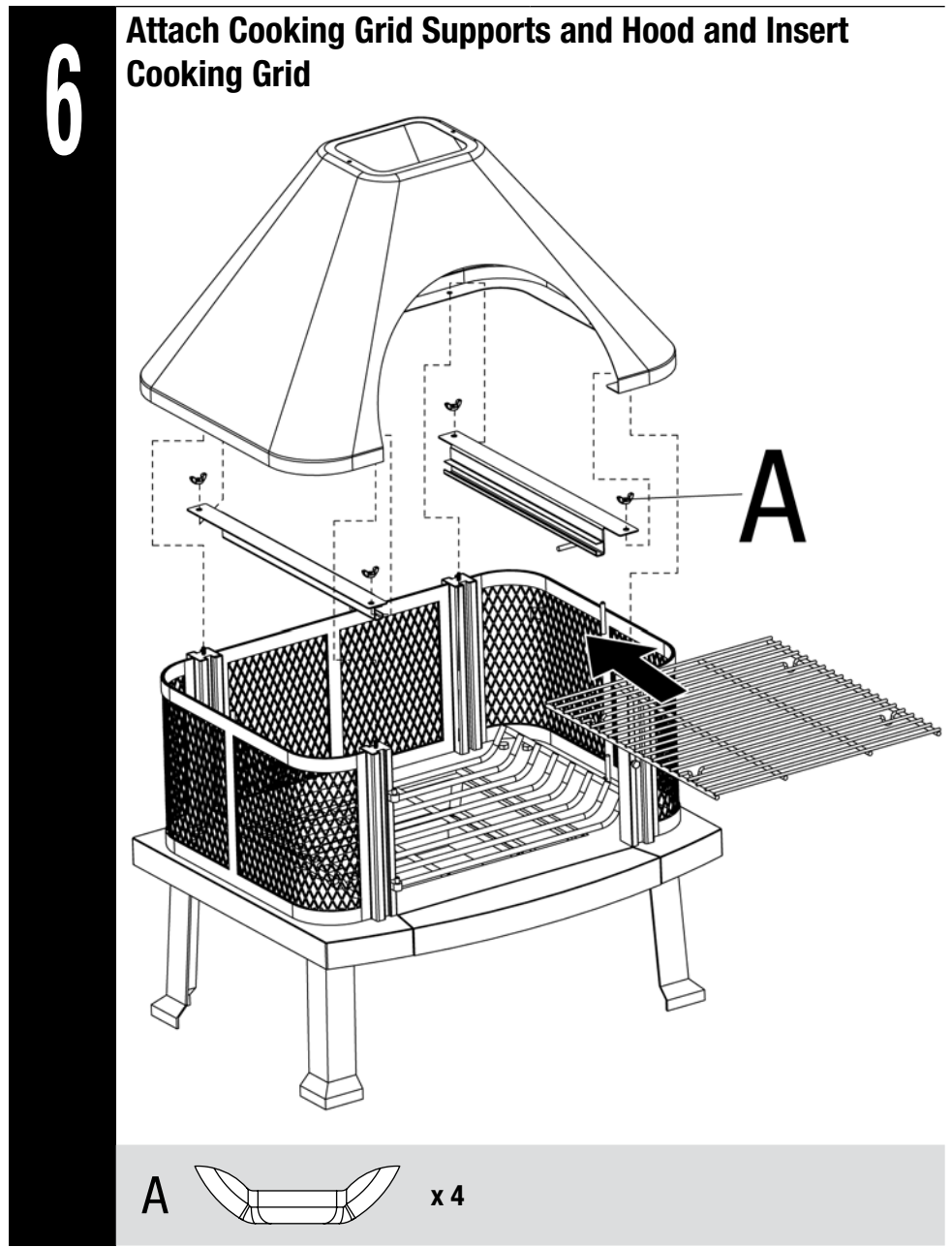
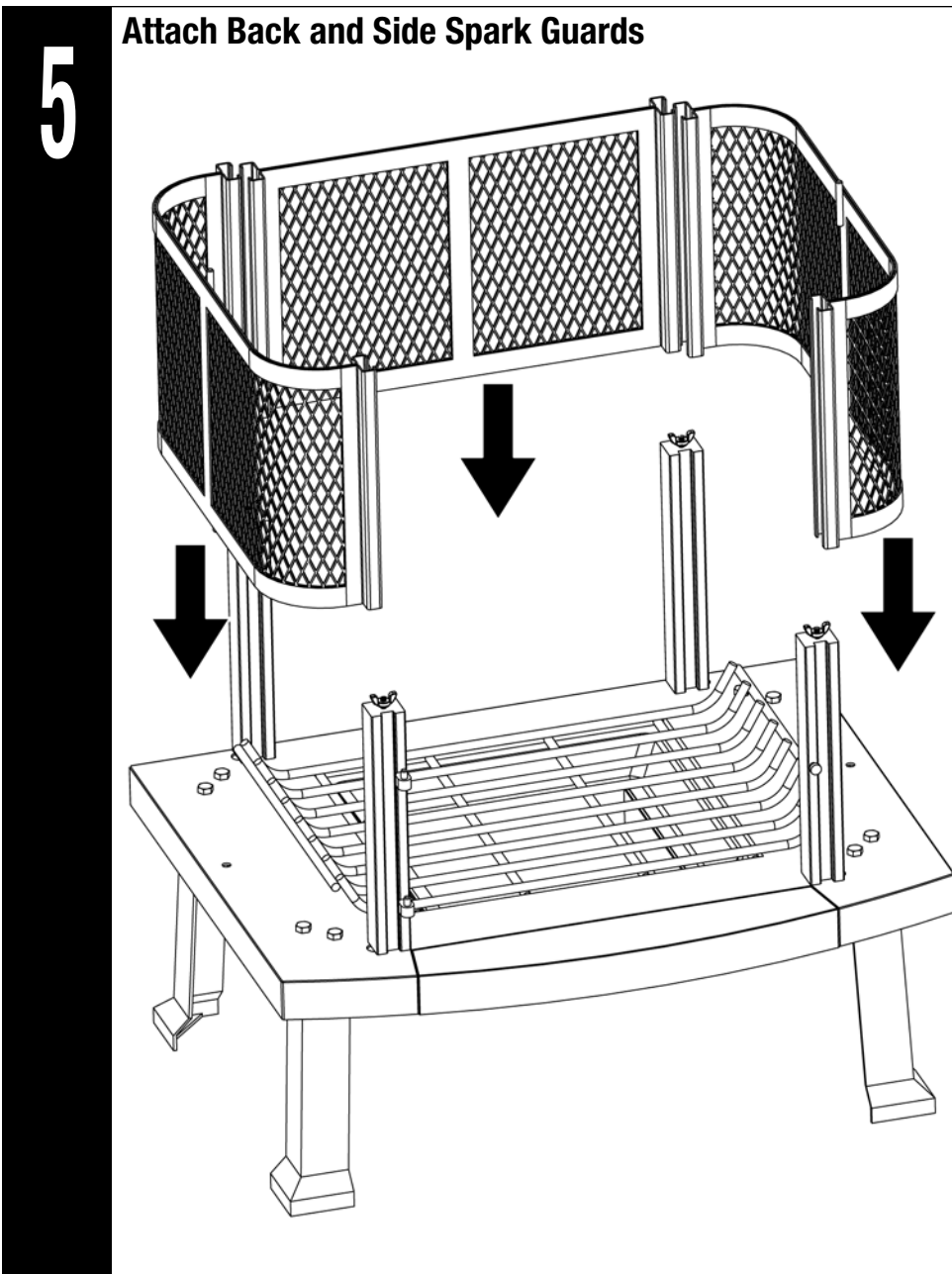
For assistance, call **1.888.398.8643** toll-free. Please have your owner's manual and model number available for reference.

For Easiest Assembly:

1. Select an area where you will assemble this product. To protect components, choose a smooth surface that's free of cracks or openings.
2. Spread out all parts.
3. Tighten all hardware connections by hand first. Then, before completing each step, go back and fully tighten all hardware. Be careful not to overtighten. That could damage surfaces or strip threads.
4. For best results, complete each step in the order presented.

Typical assembly: approximately 30 minutes.

2
Attach Rails

3
Insert Fireplace Grate

4
Insert Ash Receiver




Operating Instructions

- ▲ WARNING:** Before using this outdoor fireplace, make sure you read, understand and are following all information provided in “Important Safeguards” on page 2. Failure to follow those instructions can cause death, serious injury or property damage.

Lighting with Wood

1. Make sure there is no ash in the bottom of the bowl.
 2. Place a layer of dry kindling or a natural firestarter such as Fatwood™ on the center of the grate.
 3. Above that, place a layer of dry, seasoned hardwood that is cut to lengths of no more than ¾ the diameter of the bowl.
- ▲ CAUTION:** Do NOT add gasoline, kerosene, diesel fuel, lighter fluid or alcohol to re-light or enhance an existing fire.
4. Use a long match to light kindling or firestarter.
 5. Once the kindling or firestarter is lit, use heat resistant gloves and a fireplace tool to replace spark guard.

Tending the Fire

You may need to shift and/or add logs for an ideal experience.

- ▲ CAUTION:** Do NOT place hot fireplace tools onto combustible surfaces such as grass, wooden decks or furniture.

1. Using heat resistant gloves and a fireplace tool, carefully remove spark guard.
2. While using a long-handled fireplace tool, shift coals and logs to allow additional airflow.

- ▲ CAUTION:** Do NOT add gasoline, kerosene, diesel fuel, lighter fluid or alcohol to re-light or enhance an existing fire.

3. Wait until glowing embers have developed before adding any additional wood. If additional wood is needed, carefully place wood on top of embers.
4. Use heat resistant gloves and a fireplace tool to replace spark guard.

Extinguishing

1. Allow fire to burn itself out.
2. Do NOT use water to extinguish the fire. This can be dangerous and cause damage.

Cleaning and Care

▲ CAUTION:

1. All cleaning and maintenance should be done when appliance is cool and with the fuel supply removed.
2. DO NOT clean any part of this appliance in a self-cleaning oven. The extreme heat will damage the finish.

Inspecting

This outdoor fireplace should be inspected on a regular basis to ensure product safety and longer product life.

- ▲ CAUTION:** Do NOT attempt to inspect this outdoor fireplace until the fire is COMPLETELY out and the fireplace has cooled.

1. Check handles to make sure they are secure.
2. Check components for any signs of damage or rust.
3. If damage to any component is detected, do NOT operate until repairs are completed.

Cleaning

This outdoor fireplace should be cleaned on a regular basis to ensure product safety and longer product life.

Note: After repeated use, a slight discoloration of the finish may occur.

- ▲ CAUTION:** Do NOT attempt to clean this outdoor fireplace until the fire is COMPLETELY out and the fireplace has cooled.

- ▲ CAUTION:** Do NOT use oven cleaner or abrasive cleaners as they will damage this product.

- ▲ CAUTION:** Do NOT clean any part of this outdoor fireplace in a self-cleaning oven as it may damage the finish.

1. Wipe exterior surfaces with a mild dishwashing detergent or baking soda.
2. For stubborn stains, use a citrus-based degreaser and a nylon scrubbing brush.
3. Rinse clean with water.
4. Remove built-up creosote from components with a chimney cleaning product.

Tip: Keeping the outdoor fireplace covered when cooled and not in use will help protect it from the elements.

Cleaning and Care (continued)

Storage

- ▲ CAUTION:** Do NOT move or store this outdoor fireplace until the fire is COMPLETELY out and the fireplace has cooled.

1. Once the fire is out, embers are cold and outdoor fireplace is cool to the touch, remove and properly dispose of the ashes.
2. Store the outdoor fireplace assembled in a cool, dry location away from children and pets.

Product Registration

For faster warranty service, please register your product immediately. To register, email registration@mrbarbq.com with your name, address, phone number and copy of your receipt or call 1.888.398.8643.

Replacement Parts

For replacement parts, call 1.888.398.8643

Limited Warranty

Mr. Bar-B-Q Products LLC warrants to the original retail purchaser of this product, and to no other person, that if this product is assembled, maintained, and operated in accordance with the printed instructions accompanying it, then for a period of one (1) year from the date of purchase, all parts in such product shall be free from defects in material and workmanship. Mr. Bar-B-Q Products LLC may require reasonable proof of your date of purchase. Therefore, you should retain your sales slip or invoice. This Limited Warranty shall be limited to the repair or replacement of parts, which prove defective under normal use and service and which Mr. Bar-B-Q Products LLC shall determine in its reasonable discretion upon examination to be defective. Before returning any parts, you should contact Mr. Bar-B-Q Products LLC Customer Care Department using the contact information listed below. If Mr. Bar-B-Q Products LLC confirms, after examination, a defect covered by this Limited Warranty in any returned part, and if Mr. Bar-B-Q Products LLC approves the claim, Mr. Bar-B-Q Products LLC will replace such defective part without charge. If you return defective parts, transportation charges must be prepaid by you. Mr. Bar-B-Q Products LLC will return replacement parts to the original retail purchaser, freight or postage prepaid.

This Limited Warranty does not cover any failures or operating difficulties due to accident, abuse, misuse, alteration, misapplication, improper installation or improper maintenance or service by you or any third party, or failure to perform normal and routine maintenance on the product as set out in this owner's manual. In addition, the Limited Warranty does not cover damage to the finish, such as scratches, dents, discoloration, rust or other weather damage, after purchase.

This Limited Warranty is in lieu of all other express warranties. Mr. Bar-B-Q Products LLC disclaims all warranties for products that are purchased from sellers other than authorized retailers or distributors, including the warranty of merchantability or the warranty of fitness for a particular purpose. Mr. Bar-B-Q Products LLC ALSO DISCLAIMS ANY AND ALL IMPLIED WARRANTIES, INCLUDING WITHOUT LIMITATION THE IMPLIED WARRANTIES OF MERCHANTABILITY AND FITNESS FOR A PARTICULAR PURPOSE. Mr. Bar-B-Q Products LLC SHALL HAVE NO LIABILITY TO PURCHASER OR ANY THIRD PARTY FOR ANY SPECIAL, INDIRECT, PUNITIVE, INCIDENTAL, OR CONSEQUENTIAL DAMAGES. Mr. Bar-B-Q Products LLC further disclaims any implied or express warranty of, and assumes no responsibility for, defects in workmanship caused by third parties.

This Limited Warranty gives the purchaser specific legal rights; a purchaser may have other rights depending upon where he or she lives. Some jurisdictions do not allow the exclusion or limitation of special, incidental or consequential damages, or limitations on how long a warranty lasts, so the above exclusion and limitations may not apply to everyone.

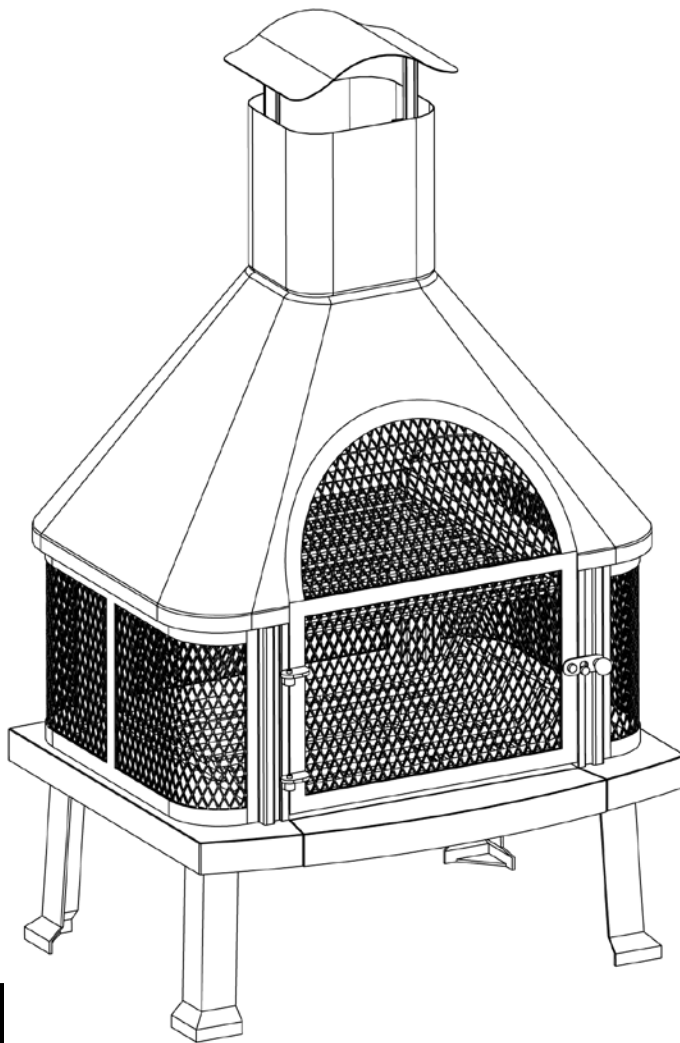
Mr. Bar-B-Q Products LLC does not authorize any person or company to assume for it any other obligation or liability in connection with the sale, installation, use, removal, return, or replacement of its equipment, and no such representations are binding on Mr. Bar-B-Q Products LLC.

Mr. Bar-B-Q Products LLC
 10 Commerce Dr., Hauppauge, NY 11788
 1.888.398.8643

FOGÓN DE EXTERIORES

PARA LEÑA CON ACABADO NEGRO

Modelo No. WAF1013ES



ADVERTENCIA
PARA SU SEGURIDAD:
 Solo para uso en exteriores
 (fuera de cualquier recinto)

ADVERTENCIA
PARA SU SEGURIDAD:

1. La instalación, ajuste, alteración, reparación o mantenimiento inadecuados pueden producir lesiones o daños materiales.
2. Lea con detención las instrucciones de instalación, operación y mantenimiento antes de instalar o reparar este equipo.
3. Si no sigue estas instrucciones, podría provocar un incendio o una explosión que ocasionen daños materiales, lesiones personales o la muerte.
4. Este manual de instrucciones contiene información importante de seguridad para un correcto ensamblaje y uso seguro del artefacto.
5. Lea y siga todas las instrucciones y advertencias antes de ensamblar y usar el artefacto.
6. Obedezca todas las advertencias e instrucciones cuando use el artefacto.
7. Conserve este manual para referencia futura.

ADVERTENCIA
PARA SU SEGURIDAD:
 No almacene ni use gasolina ni otros vapores o líquidos inflamables cerca de este ni de ningún otro artefacto.

PELIGRO
 Nunca deje este artefacto encendido sin vigilancia.

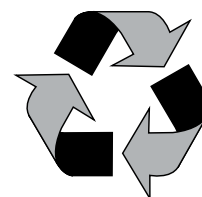
Table of Contents

Medidas de seguridad importantes	Page 2
Vista ampliada y tornillería	3
Instrucciones de ensamblaje.	4
Instrucciones de funcionamiento.....	6
Limpieza y cuidado.....	6
Registro del producto.....	6
Piezas de repuesto	6
Garantía limitada.....	6

ESTE FOLLETO DE INSTRUCCIONES CONTIENE INFORMACIÓN IMPORTANTE DE SEGURIDAD. LEA Y GUARDE ESTE FOLLETO PARA REFERENCIA FUTURA.

Si está ensamblando esta unidad para otra persona, entréguele este manual para que lo lea y lo guarde para referencia futura.

ADVERTENCIA: La inhalación de polvo de madera es, según el estado de California, causante de cáncer. Quemar madera produce emisiones que pueden exponerle a sustancias químicas, entre ellas, monóxido de carbono, hollín, humo y otros subproductos de la combustión que, según el estado de California, son causantes de cáncer, defectos de nacimiento u otros daños al sistema reproductivo y/u otros efectos dañinos a la salud. Para obtener más información, visite www.P65Warnings.ca.gov.



Compuesto en un 75 % de bagazo
 (subproducto ecológico de pulpa de caña de azúcar)

Medidas de seguridad importantes

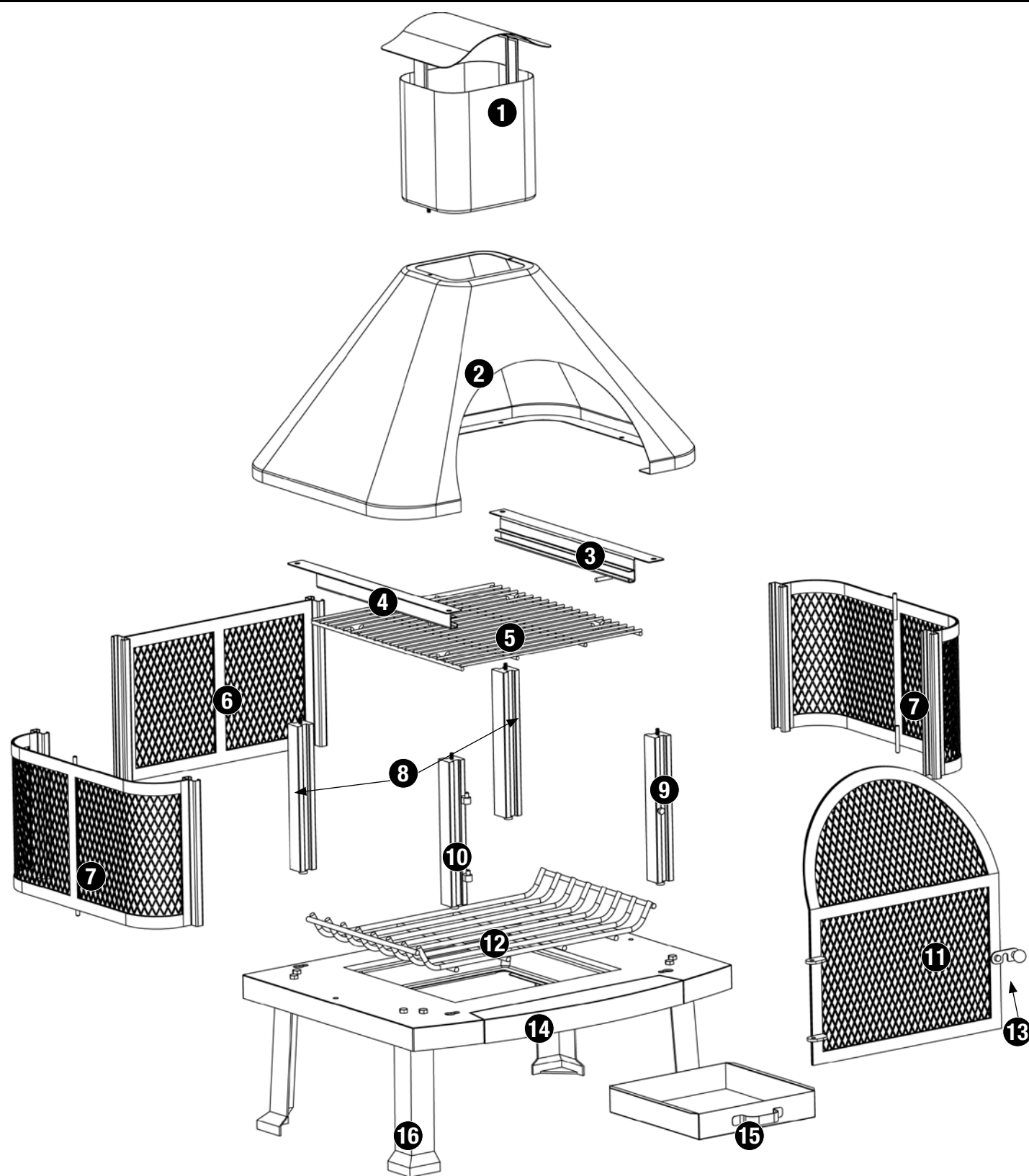
- ▲ **PELIGRO:** No seguir los avisos de peligro, las advertencias y las precauciones de este manual podría causar lesiones personales graves, la muerte o incendios o explosiones que causen daños materiales.
-
- ▲ **ADVERTENCIA:**
 - ▲ Este artefacto es solo para uso en exteriores y NO se debe usar en edificios, garajes ni en ninguna otra área cerrada.
 - ▲ NO use este fogón para exteriores para calefaccionar interiores. Las emanaciones TÓXICAS de monóxido de carbono pueden acumularse y causar asfixia.
 - ▲ Este fogón para exteriores NO es para uso comercial.
 - ▲ Este fogón para exteriores está certificado para utilizarse en forma segura en los Estados Unidos y Canadá solamente. NO lo modifique para usarlo en otro lugar. Cualquier modificación tendrá como resultado un riesgo para la seguridad y anulará la garantía.
 - ▲ Los niños NO deben usar este fogón para exteriores.
 - ▲ NO opere, encienda ni use este artefacto a menos de 10 pies (3,05 m) de distancia de paredes, estructuras o edificios.
 - ▲ NO almacene ni utilice gasolina ni otros vapores o líquidos inflamables a menos de 25 pies (7,62 m) de distancia de este artefacto.
 - ▲ NO utilice el artefacto en un entorno explosivo. No debe haber materiales combustibles, gasolina ni otros vapores o líquidos inflamables cerca del área donde se va a utilizar el fogón para exteriores.
 - ▲ Para quienes viven en departamentos: consulte con el administrador acerca de los requisitos y códigos de incendio para usar un fogón para exteriores en su complejo de departamentos. Utilícelo en el exterior, en la planta baja, a una distancia de 10 pies (3,05 m) de cualquier estructura, en caso de estar permitido. NO lo utilice debajo de balcones ni sobre estos.
 - ▲ Siempre cumpla con todos los códigos locales, estatales y nacionales correspondientes al utilizar el producto. Comuníquese con el Departamento de Bomberos local para obtener información sobre quemas en exteriores.
 - ▲ Cuando use este fogón para exteriores, tome las mismas precauciones que tomaría con cualquier fuego expuesto.
 - ▲ Este fogón para exteriores NO debe usarse en vehículos recreativos ni en botes.
 - ▲ NO use este fogón para exteriores debajo de construcciones aéreas o construcciones de materiales combustibles sin protección. Evite usarlo cerca o debajo de árboles y arbustos sobresalientes.
 - ▲ NO use este fogón para exteriores sin haber leído por completo el manual del propietario.
 - ▲ Use siempre leña seca para quemar, que quema a mayor temperatura, en forma más completa, y que produce menos humo con este fogón para exteriores.
 - ▲ NO queme briquetas de carbón de leña, carbón, leños de madera aglomerada, madera de deriva, basura, hojas, cartón o pedazos de madera terciada en el fogón para exteriores. Evite usar maderas blandas como pino o cedro pues estas maderas hacen saltar chispas.
 - ▲ NO agregue gasolina, queroseno, combustible diésel, líquido encendedor ni alcohol para encender o reavivar el fuego.
 - ▲ No altere este fogón para exteriores de ninguna forma. Esto invalidará su garantía.
 - ▲ NO use este fogón para exteriores hasta que esté COMPLETAMENTE ensamblado y todas las piezas estén ajustadas y apretadas con firmeza.
 - ▲ El consumo de alcohol o medicamentos recetados o sin receta puede disminuir la capacidad del consumidor para ensamblar o usar este fogón para exteriores de manera segura y correcta.
 - ▲ NO use este fogón para exteriores cerca de automóviles, camiones, camionetas o vehículos recreativos.
 - ▲ Coloque siempre este fogón para exteriores sobre una superficie rígida, nivelada y no combustible, como concreto, rocas o piedras. Una superficie de asfalto podría no ser apta para este objetivo. NO use este artefacto sobre plataformas y terrazas de madera.
 - ▲ NO use ropas combustibles u holgadas durante el uso del fogón para exteriores.
 - ▲ NO lo utilice cuando haya mucho viento.
 - ▲ No se apoye sobre este fogón para exteriores cuando lo encienda o esté funcionando.
 - ▲ NO utilice el fogón para exteriores sin haber instalado el (los) protector(es) contra chispas.
 - ▲ Mantenga todos los cables eléctricos lejos de este fogón para exteriores cuando esté en uso.
 - ▲ Cuando esté en funcionamiento, todas las superficies de este fogón para exteriores estarán demasiado calientes para el tacto. NO toque las superficies calientes hasta que se hayan enfriado completamente (espere unos 45 minutos) para evitar quemaduras, a menos que utilice equipo de protección (como manoplas para horno con aislante, guantes o manoplas resistentes al calor). Nunca toque las cenizas o las brasas para determinar si están calientes.
 - ▲ NO deje el fogón para exteriores encendido y sin supervisión, especialmente si hay niños o mascotas cerca. Siempre vacíe el fogón para exteriores después de haberlo usado.
 - ▲ NO intente mover o guardar el fogón para exteriores antes de que las cenizas y las brasas se hayan completamente enfriado y apagado.
 - ▲ NO quite las cenizas o las brasas antes de que se hayan completamente apagado y que el fogón para exteriores se haya completamente enfriado.
 - ▲ NO coloque leña directamente en el fondo del fogón para exteriores. Coloque los leños únicamente en la rejilla.
 - ▲ NO recargue el fogón para exteriores. NO le agregue leña antes que las llamas se hayan reducido. AVISO: Si cualquier parte del tazón, de la tapa o del (o de los) protector(es) contra chispas del fogón para exteriores se nota enrojecida es señal de que la unidad se ha sobrecargado.
 - ▲ NO coloque un protector contra chispas o herramientas calientes sobre el césped, sobre terrazas de madera o muebles.
 - ▲ Evite respirar el humo del fuego y evite que le llegue a los ojos.
 - ▲ Este fogón para exteriores se debe limpiar e inspeccionar minuciosamente en forma periódica.
 - ▲ Después de un período de almacenamiento o de haber dejado de usar la unidad por algún tiempo, revise que no haya señales de daños o acumulación de creosota. NO opere la unidad antes de hacer las reparaciones requeridas o realizar la limpieza necesaria.
 - ▲ NO use productos para limpieza de hornos o limpiadores abrasivos pues estos dañan el artefacto.
 - ▲ NO limpie ninguna pieza del fogón para exteriores en un horno de autolimpieza. El calor extremo dañará el acabado.
 - ▲ Utilice únicamente piezas autorizadas por la fábrica de Mr. Bar-B-Q Products LLC. El uso de piezas que no estén autorizadas por la fábrica puede ser peligroso y anulará la garantía.
 - ▲ Use guantes y almohadillas resistentes al calor cuando deba tocar las manijas.
 - ▲ Use accesorios de chimenea largos y fuertes cuando deba agregar o mover los leños.
 - ▲ Use guantes de protección cuando ensamble este producto.
 - ▲ NO una las piezas a la fuerza, ya que podría provocar heridas personales o daños al producto.
 - ▲ Si no sigue las instrucciones anteriores al pie de la letra, podría ocasionar lesiones graves, muerte o daños materiales.

Lista de piezas

1	Tope de la campana extractora	58-24-460-I
2	Campana extractora	58-24-461-I
3	Soporte de la rejilla para cocinar A	58-24-462-I
4	Soporte de la rejilla para cocinar B	58-24-463-I
5	Rejilla para cocinar	58-24-464-I
6	Protector contra chispas trasero	58-24-465-I
7	Protector contra chispas lateral (2)	58-24-466-I
8	Riel trasero (2)	58-24-467-I
9	Riel de la puerta A	58-24-468-I
10	Riel de la puerta B	58-24-469-I
11	Puerta del protector contra chispas	58-24-470-I
12	Rejilla del fogon	58-24-471-I
13	Manija de la puerta del protector contra chispas	58-24-472-I
14	Base	58-24-473-I
15	Recogedor de cenizas	58-24-474-I
16	Pata (4)	58-24-475-I

*Preensamblado

Vista ampliada



Tornillería

58-24-476-I

A Tuerca de mariposa Con revestimiento en níquel, negra, ø5 6 pzas

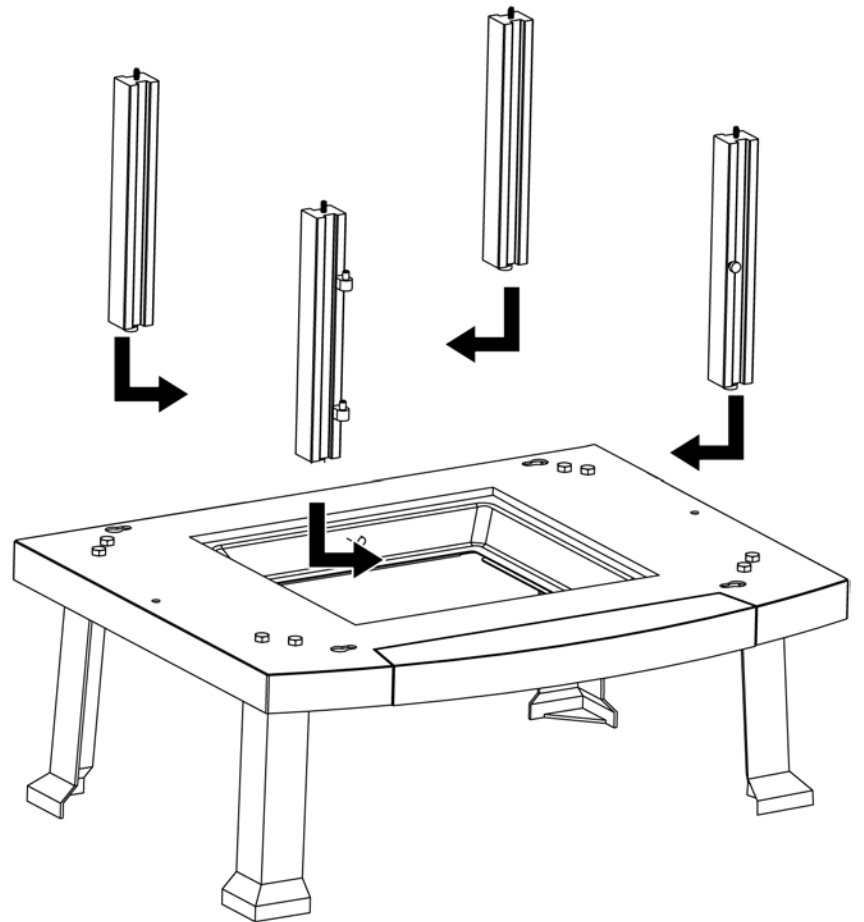
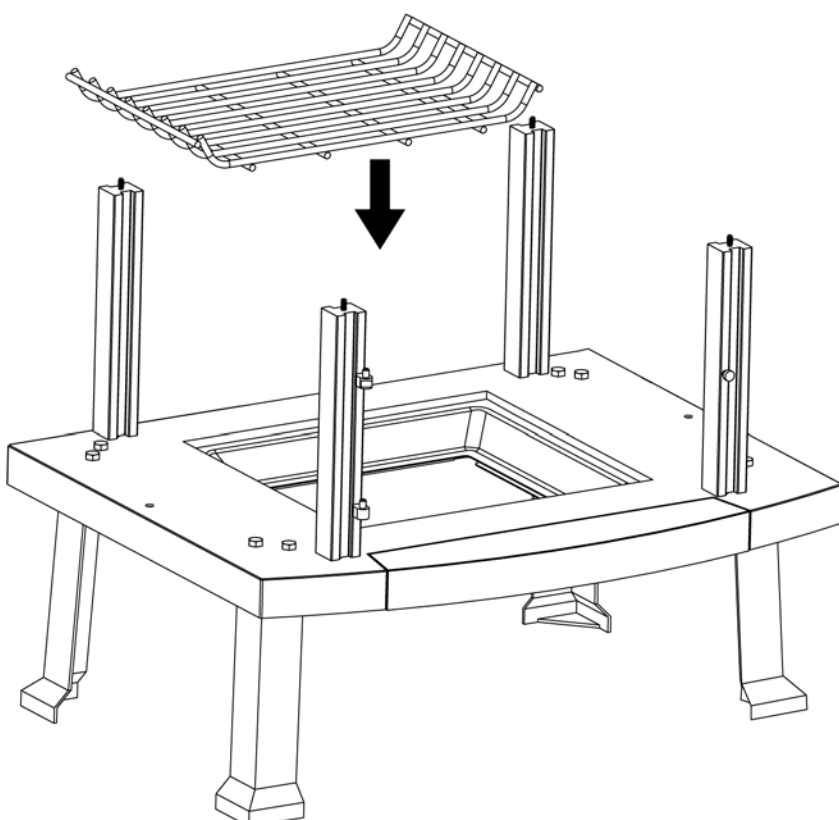
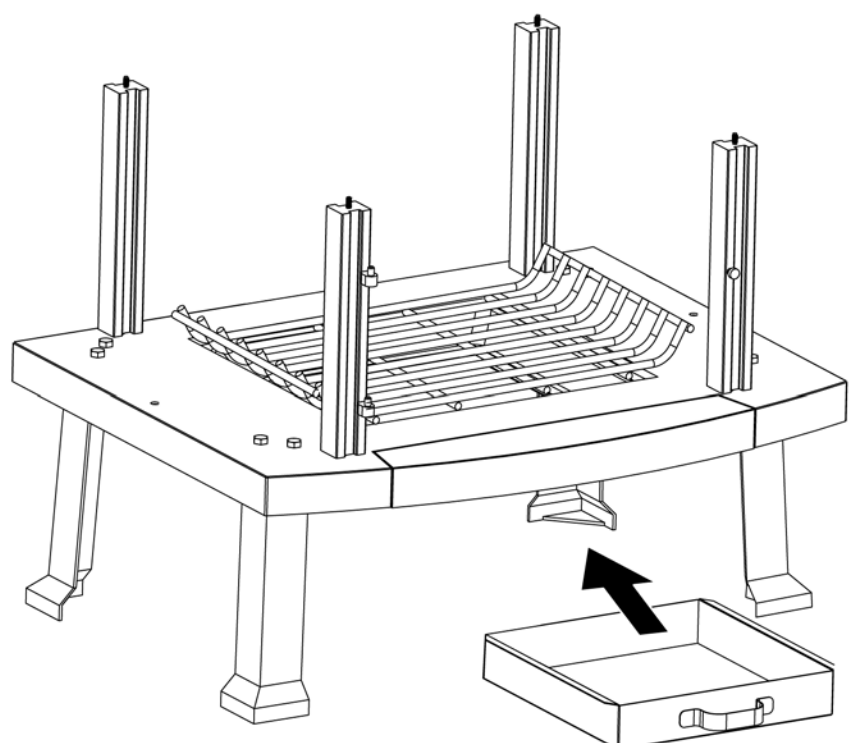
Instrucciones de ensamblaje
1
NO DEVUELVA ESTE PRODUCTO AL LUGAR DONDE LO COMPRÓ.

Para obtener ayuda, llame gratis al **1-888.398.8643**. Tenga a mano el manual del propietario y el número de modelo para referencias.

Para facilitar el ensamblaje:

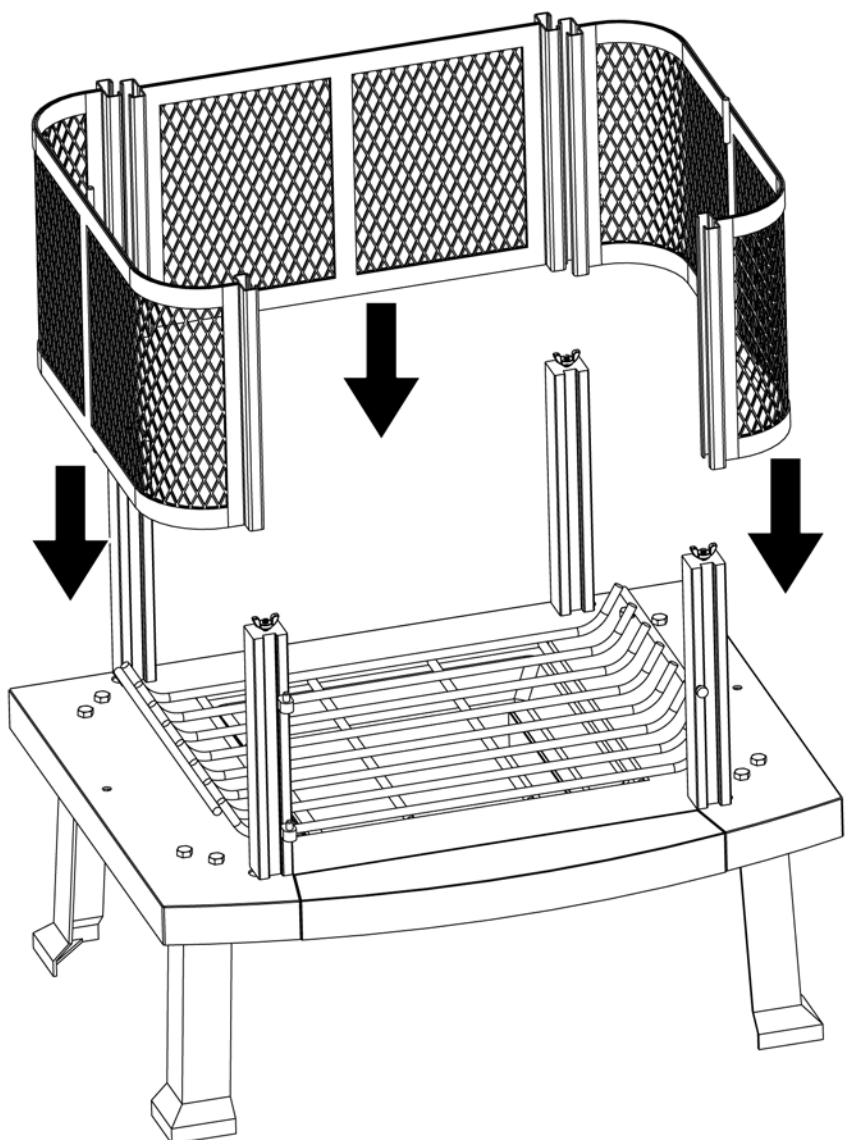
1. Seleccione el área donde ensamblará este producto. Para proteger a los componentes, elija una superficie lisa, sin grietas ni aberturas.
2. Despliegue todas las piezas.
3. Primero apriete a mano todos los tornillos. Luego, antes de completar cada paso, vuelva al principio y apriete todos los tornillos firme y completamente. Tenga cuidado de no apretar demasiado. Eso podría dañar las superficies o falsear las roscas.
4. Para obtener mejores resultados, complete cada paso en el orden presentado.

El ensamblaje normal dura aproximadamente 30 minutos.

2
Instale los rieles

3
Coloque la rejilla de la chimenea

4
Coloque el recogedor de cenizas


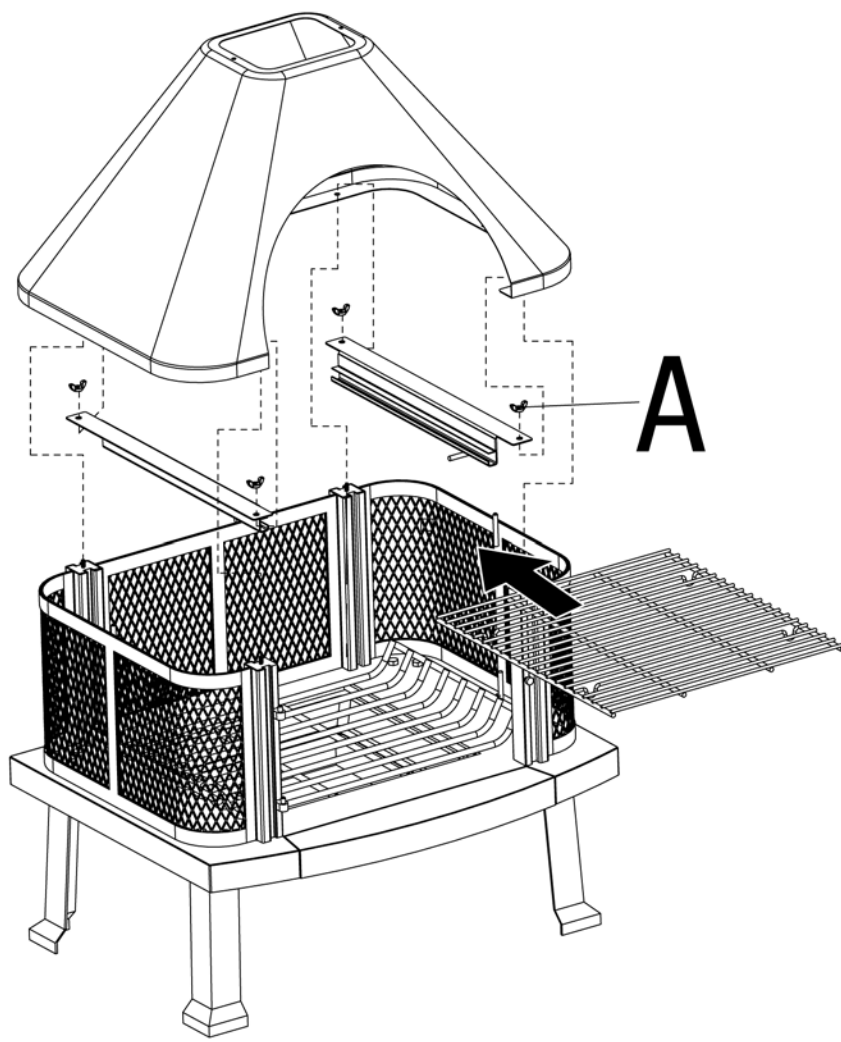
5

Instale los protectores contra cenizas trasero y lateral



6

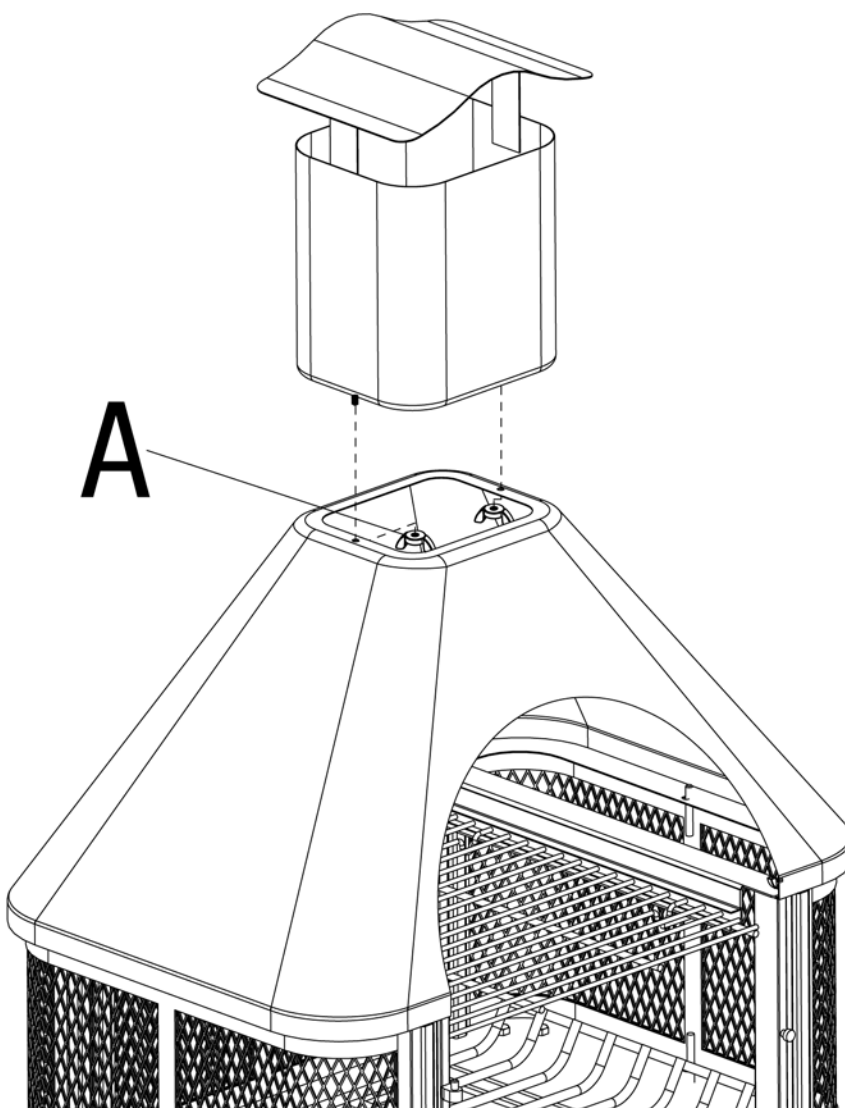
Instale los soportes de la parrilla de cocción, la campana extractora e inserte la rejilla de cocción



A  x 4

7

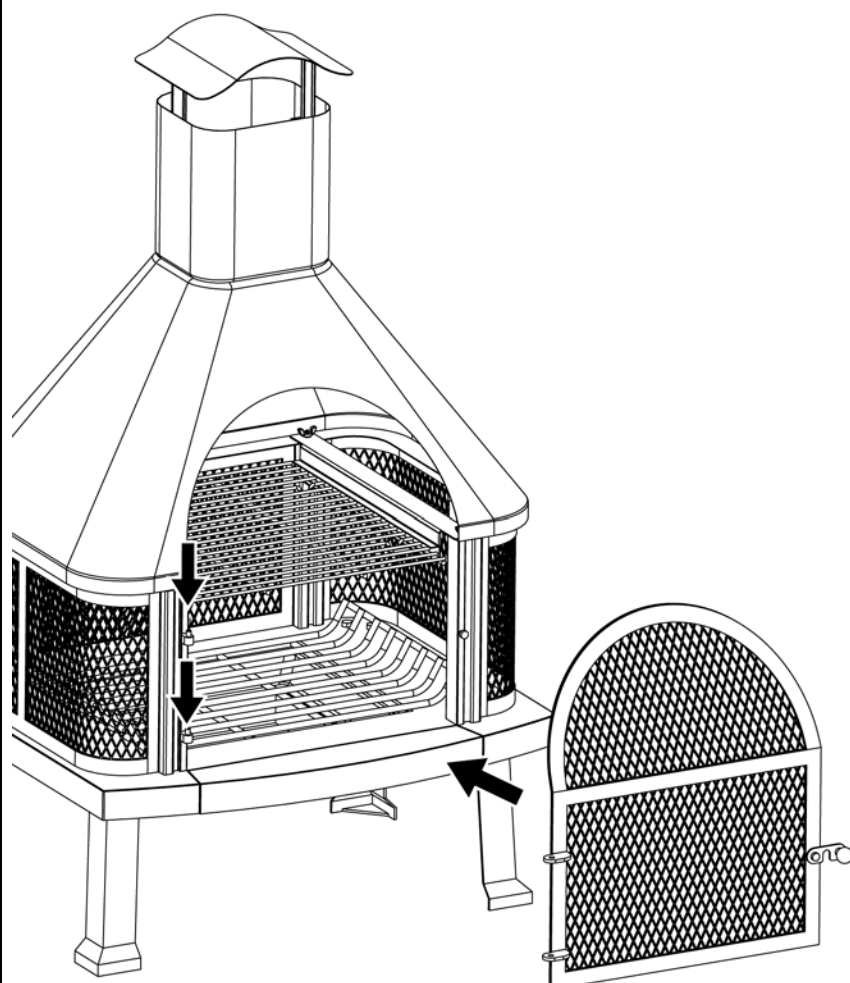
Instale el tope de la campana extractora



A  x 2

8

Instale la puerta del protector contra chispas



Instrucciones de funcionamiento

▲ ADVERTENCIA: Antes de usar este fogón para exteriores, asegúrese de haber leído y entendido completamente las Medidas de Seguridad Importantes que se presentan en la página 2. Siga estas instrucciones completamente pues la falla en seguirlas puede causar daños a la propiedad, serias lesiones y aún la muerte.

Encendido con madera

1. Verifique que únicamente haya quedado una pequeña cantidad de ceniza en el fondo del tazón.
2. Coloque una capa de leña seca o material natural para encender el fuego, tal como Fatwood™, en el centro de la rejilla.
3. Coloque encima una capa de leña seca cortada en longitudes no mayores de 3/4 del diámetro del tazón.

▲ PRECAUCIÓN: NO agregue gasolina, queroseno, combustible diésel, líquido encendedor ni alcohol para reavivar el fuego o aumentarlo.

4. Use una cerilla para encender la leña menuda o el material para encender el fuego.
5. Use guantes resistentes al calor y una herramienta de chimenea para volver a instalar el protector contra chispas una vez que la leña menuda o el material de encendido se hayan encendido.

Cuidado del fuego

Usted puede necesitar mover los leños o agregar más para obtener un funcionamiento ideal.

▲ PRECAUCIÓN: NO coloque un protector contra chispas o herramientas calientes sobre el césped, sobre terrazas de madera o muebles.

1. Use guantes resistentes al calor y una herramienta de chimenea para retirar cuidadosamente el protector contra chispas.
 2. Con la ayuda de una herramienta de chimenea de mango largo, mueva leños y brasas para permitir un flujo adicional de aire.
- ▲ PRECAUCIÓN:** NO agregue gasolina, queroseno, combustible diésel, líquido encendedor ni alcohol para reavivar el fuego o aumentarlo.
3. Espere hasta que el fuego se haya convertido en brasa antes de agregar más leña. Si se necesita más leña, colóquela sobre las brasas. Tenga cuidado de no mover la ceniza.
 4. Use guantes resistentes al calor y una herramienta de chimenea para volver a instalar el protector contra chispas.

Apagado

1. Deje que el fuego se extinga por sí mismo.
2. NO use agua para extinguir el fuego pues esta práctica es peligrosa y puede dañar su fogón para exteriores.

Limpieza y cuidado

▲ PRECAUCIÓN:

1. Todas las tareas de limpieza y mantenimiento deben llevarse a cabo cuando el artefacto esté frío (al cabo de unos 45 minutos) y cuando se haya retirado el suministro de combustible.
2. NO limpie ninguna pieza de este artefacto en un horno de limpieza automática. El calor extremo dañará el acabado.

Inspección

Este fogón para exteriores debe inspeccionarse a intervalos regulares para asegurar que su funcionamiento es seguro y prolongar su vida útil.

▲ PRECAUCIÓN: NO intente inspeccionar este fogón para exteriores antes de que el fuego se haya apagado COMPLETAMENTE y el fogón se haya enfriado.

1. Examine las manijas para estar seguro de que continúan firmemente instaladas.
2. Inspeccione los componentes para detectar señales de daños u oxidación.
3. Si encuentra que algún componente está dañado, NO opere la unidad antes de haberla reparada.

Limpieza

Este fogón para exteriores debe limpiarse a intervalos regulares para asegurar su funcionamiento seguro y prolongar su vida útil.

Nota: Después de repetido uso, la superficie de metal puede descolorarse un poco.

▲ PRECAUCIÓN: NO trate de limpiar este fogón para exteriores antes de que el fuego se haya extinguido COMPLETAMENTE.

▲ PRECAUCIÓN: NO use productos para limpieza de hornos o limpiadores abrasivos pues estos dañan el artefacto.

▲ PRECAUCIÓN: NO trate de limpiar ningún componente de este fogón para exteriores en un horno automático de limpieza pues esto daña el acabado del artefacto.

1. Limpie las superficies exteriores con un detergente suave para el lavado de platos o con soda de hornear.
2. En superficies donde el detergente o la soda no son suficientes para la limpieza, use un desengrasante a base de cítricos y un cepillo de nylon para fregar.
3. Enjuague con agua limpia.
4. Remueva la acumulación de creosota de los componentes con un producto de limpieza para chimeneas.

Sugerencia: Mantener el fogón para exteriores cubierto, una vez que se haya dejado de usar y se haya enfriado, ayudará a protegerlo contra las inclemencias del tiempo.

Limpieza y cuidado (continuación)

Almacenamiento

▲ PRECAUCIÓN: NO mueva o guarde este fogón para exteriores antes de que el fuego se haya extinguido COMPLETAMENTE.

1. Una vez que el fuego se haya apagado, las brazas estén frías y el fogón para exteriores se sienta suficientemente frío al tacto, remueva la ceniza y descártela de manera apropiada.
2. Guarde el fogón para exteriores armado en una ubicación alejada de niños y mascotas.

Registro del producto

Para obtener un servicio de garantía más rápido, registre su producto de inmediato. Para registrarse, envíe un mensaje electrónico a registration@mrbarbq.com con su nombre, dirección y número de teléfono y una copia de su recibo, o llame al 1.888.398.8643.

Piezas de repuesto

Para obtener piezas de repuesto, llame al 1.888.398.8643

Garantía limitada

Mr. Bar-B-Q Products LLC le garantiza al comprador minorista original de este producto, y a ninguna otra persona, que si este producto se ensambla, se mantiene y se usa de acuerdo con las instrucciones impresas incluidas, ninguna de las piezas del producto presentará defectos de fabricación en el material ni en la mano de obra durante un (1) año desde la fecha de compra. Mr. Bar-B-Q Products podría exigir un comprobante razonable de la fecha de su compra. Por ello, usted deberá conservar su recibo o factura de la venta. Esta Garantía limitada se limitará al reemplazo o a la reparación de piezas que presenten fallas bajo un uso y servicio normales y que Mr. Bar-B-Q Products determine en su propia opinión que presentan fallas después de examinarlas. Antes de devolver cualquier pieza, debe ponerse en contacto con el Departamento de Servicio al Cliente de Mr. Bar-B-Q Products mediante la información de contacto que se presenta más abajo. Si después de examinar la pieza devuelta Mr. Bar-B-Q Products confirma que existe una falla que está cubierta por esta Garantía limitada, y si Mr. Bar-B-Q Products aprueba el reclamo, esa pieza se reemplazará sin ningún costo para el cliente. Al devolver piezas defectuosas usted deberá prepagar los cargos de transporte. Mr. Bar-B-Q Products devolverá las piezas de repuesto al comprador minorista original con flete o franqueo prepago.

Esta garantía limitada no cubre fallas o dificultades en la operación debido a accidentes, mal uso, abuso, alteraciones, aplicación inadecuada o instalación o mantenimiento inadecuados o reparados por usted o por un tercero, o por no efectuar mantenimiento normal o rutinario del producto como se señala en este manual del propietario. Además, la Garantía limitada no cubre daños al acabado, tales como rayones, hendiduras, oxidación, decoloración u otros daños producidos por las condiciones del tiempo después de la compra.

Esta Garantía limitada reemplaza a todas las demás garantías explícitas. Mr. Bar-B-Q Products LLC rechaza todas las demás garantías por productos que se adquieran de vendedores distintos a las tiendas minoristas o distribuidores autorizados, incluida la garantía de comerciabilidad o la garantía de idoneidad para un fin en particular. Mr. Bar-B-Q Products LLC TAMBIÉN RECHAZA TODAS LAS DEMÁS GARANTÍAS IMPLÍCITAS, LO QUE INCLUYE SIN LIMITACIÓN A TODAS LAS GARANTÍAS IMPLÍCITAS DE COMERCIABILIDAD E IDONEIDAD PARA UN FIN EN PARTICULAR. Mr. Bar-B-Q Products LLC NO SERÁ RESPONSABLE LEGAL ANTE EL COMPRADOR NI ANTE NINGÚN TERCERO POR NINGÚN DAÑO ESPECIAL, PUNITIVO, INDIRECTO INCIDENTAL O RESULTANTE. Mr. Bar-B-Q Products LLC también rechaza cualquier garantía explícita o implícita por las fallas en la fabricación causada por terceros y no asume responsabilidad alguna por estas.

Esta Garantía limitada le otorga derechos legales específicos al comprador. El comprador tener también otros derechos dependiendo de dónde viva. Algunas jurisdicciones no permiten la exclusión o limitación de daños especiales, incidentales o resultantes, ni permiten limitaciones en cuanto a la duración de una garantía, de modo que es posible que las limitaciones y exclusiones anteriores no se apliquen a todas las personas.

Mr. Bar-B-Q Products LLC no autoriza a ninguna persona o empresa a asumir en su nombre ninguna otra obligación o responsabilidad en relación con la venta, instalación, uso, retiro, devolución o reemplazo de sus equipos y ninguna de esas representaciones se considera obligatoria para Mr. Bar-B-Q Products LLC.

Mr. Bar-B-Q Products LLC
10 Commerce Dr., Hauppauge, NY 11788 EE.UU.
1.888.398.8643